



SUNSTAR 传感与控制

http://www.sensor-ic.com/ TEL:0755-83376549 FAX:0755-83376182E-MAIL: szss20@163.com  
**Pressure, Level & Temperature Transmitters & Transducers**



**Tect Electronics**

The authorized distributor in the Greater China Region

# WECO® "HAMMER" UNION TEMPERATURE TRANSMITTER

## Model 271, 371

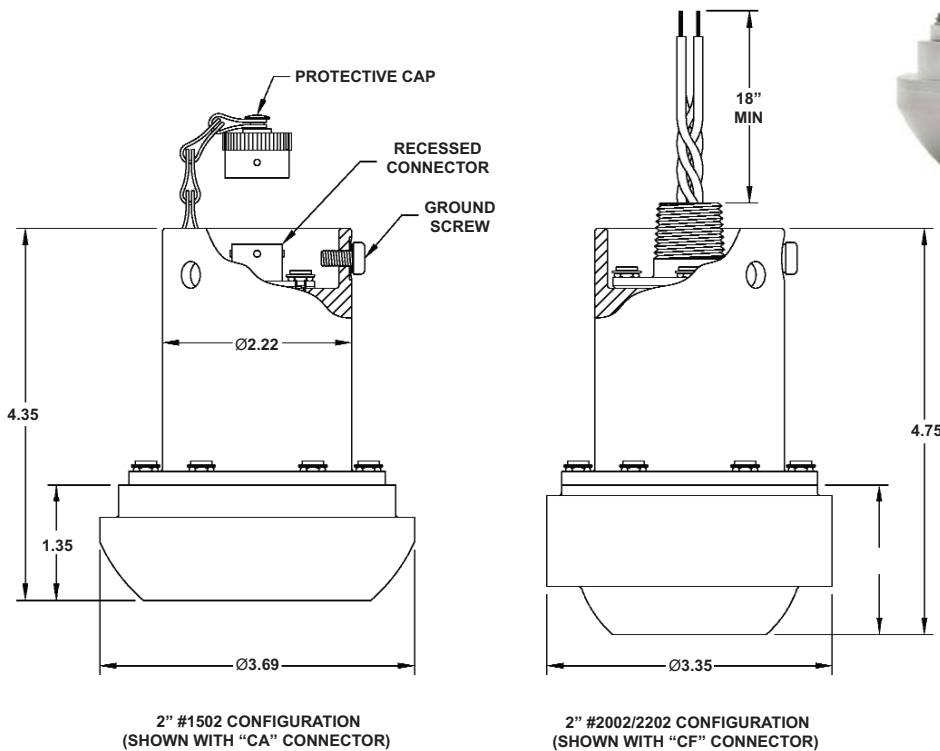
Designed for use with either WECO® 2" 1502, 2" 2002 or 2" 2202 Wing Union Fittings.

### FEATURES:

- Provides accurate temperature readings in WECO® style fitting
- Rated to 22,500 PSI
- Corrosion resistant materials meet NACE MRO175 Guidelines
- 0-5 VDC or 4-20 mA outputs
- High temp operation option to 250°F



OIL AND GAS



Some options will affect dimensions. Consult factory if important.

## WIRING CODE

PIN	271	371
A/1 (WIRE COLOR)	+ EXC. (RED)	+ EXC./SIGNAL (RED)
B/2 (WIRE COLOR)	+ SIGNAL (BLUE)	- EXC./SIGNAL (BLACK)
C/3 (WIRE COLOR)	- EXC./SIGNAL(BLACK)	NC
D/4	NC*	NC*
E/5	NC*	NC*
F/6	NC*	NC*

\* - Optional Shunt Cal connections

GP:50 reserves the right to make product improvements and amendments to the product specifications stated throughout this brochure without prior notification. Please contact the factory on all critical dimensions and specifications for verification.

A5SL-71.00



Specifications reflect standard product, improved performance/mechanical options available. Modifications may alter specs, consult factory for more information.

<b>Accuracy</b>	<b>(Static Error Band- Non-linearity, Hysterisis, Non-repeatability)</b> ±0.75% FSO	
<b>Zero Balance at 70°F</b>	<b>(Model 271)</b> 0.0v ±0.5% FSO	<b>(Model 371)</b> 4.0mA ±0.5% FSO
<b>Full Scale Output</b>	<b>(Model 271)</b> 5Vdc ±0.5% FSO	<b>(Model 371)</b> 16mA ±0.5% FSO
<b>Stability</b>	±0.1% FSO/yr	
<b>Min &amp; Max Process Temperature Limits</b>	-65°F to +250°F **	
<b>Temperature ranges</b>	See ordering guide	
<b>Electricals</b>	<b>(Model 271)</b>	<b>(Model 371)</b>
Output Current	0-5 VDC Output	4-20mA Output
Wiring	3 Wire (see pin out chart)	2 Wire Loop (see pin out chart)
Excitation	9-36 VDC	9-36 VDC
Insulation Resistance	>100m Ohms at 50 Vdc	>100m Ohms at 50 Vdc
Connector Style	See options codes	
<b>Mechanical</b>		
Process Connection	WECO® Union 2" 1502, 2202 or 2002**	
Max Operating Pressure	22,500 PSI	
Std Wetted Materials	Stainless Steel Meets- NACE MRO175 Guidelines or Inconel**	
Upper Housing	300 series Stainless Steel	
Weight	~5 lbs	

\*\* -see order guide for options

## ORDERING GUIDE:

Ordering: Specify model, and pressure range and indicate modifications or accessories required. Use the following codes to identify desired item.

MODEL	APPROVAL	PROCESS CONNECTION	RANGE	OPTIONS/ELECTRICAL CONNECTIONS
●	●	●	●	●/●/●

Example: 371-G-00-CA

### MODEL SERIES

271 0-5 VDC  
 371 4-20mA

### PROCESS CONNECTION

A 2" 1502 (Inconel Construction)  
 B 2" 2002 (Inconel)  
 C 2" 2202 (Inconel - Meets NACE Guidelines)  
 D 2" 1502 (Inconel - Meets NACE Guidelines)  
 G 2" 1502 (SST - Meets NACE Guidelines)  
 H 2" 2002 (SST - Meets NACE Guidelines)

### CALIBRATED TEMPERATURE RANGE (Deg F)

00 - 0° to 250°  
 01 - -40° to 250°  
 (Consult factory for more ranges)

### CONNECTOR TYPE

CA PTO2E-10-6P (Bendix 6 Pin Style)  
 CF 1/2" NPT(M) with 18" wire Leads 18 awg  
 DK GC379214S-2P (Glenair 4-Pin)  
 DM MS3102E-14S-2P (4-Pin)  
 DO RECM10TPN04-16 (Jupiter 4-Pin style)  
 DP 1R4006A20A1201 (Brad Harrison/Turck style)

### OPTIONS (More options available – consult factory)

GB Alternate electrical output (e.g 1-5 VDC)  
 GC Special Calibration run  
 MR Alternate Pin out / wiring  
 NC Removable carrying handle  
 NH Welded dual carrying handle

Consult factory for more options, such as carrying handle, optional materials, electrical connectors and replacement fasteners

Consult WECO® manufacturer for published pressure maximums. WECO® is a Federally Registered Trademark with FMC Technologies