

EXTENDED NOSE FLUSH DIAPHRAGM LEVEL TRANSMITTER

Model 385

A variable capacitance all-welded type 316L stainless steel differential pressure sensor is the heart of this transmitter. It provides true gauge pressure measurement and allows full washdown without cumbersome vent tubes.

FEATURES:

- 3A approved
- Nema 6X rated enclosure
- Adaptable to all standard receivers

PRESSURE RANGES:

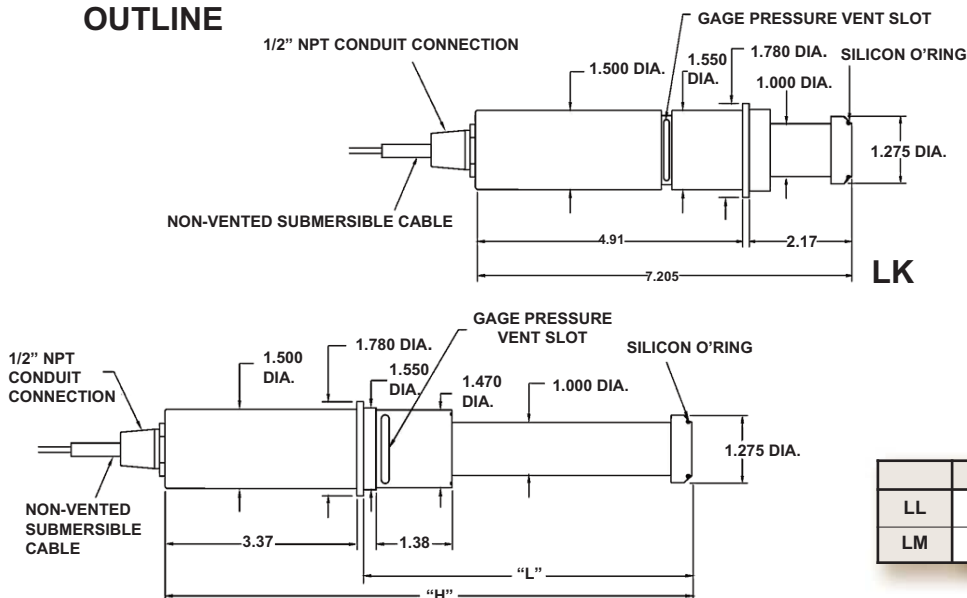
- From 0-20 inwc to 0-50 psig

ACCURACY:

- From 0.1% to 0.5% FSO



OUTLINE



	"H"	"L"
LL	9.982	6.487
LM	12.307	8.812

Some options will affect dimensions. Consult factory if important.

WIRING CODE

	385
A/1 RED	+ EXC./SIGNAL
B/2 GREEN	NC
C/3 WHITE	NC
D/4 BLACK	- EXC./SIGNAL
E/5 BLUE	NC
F/6 BROWN	NC
SHIELD	OPEN

GP:50 reserves the right to make product improvements and amendments to the product specifications stated throughout this brochure without prior notification. Please contact the factory on all critical dimensions and specifications for verification.



Specifications reflect standard product, improved performance/mechanical options available. Modifications may alter specs, consult factory for more information.

Accuracy	(Static error band includes non-linearity, hysteresis, non-repeatability) ±0.5% FSO RSS ±0.2% FSO RSS ±0.1% FSO RSS
Wetted Parts	Type 316L stainless steel
Temperature Limits	Compensated 0° F to +180° F Operating -20° F to +200° F
Temperature Compensation	Zero Less than ±2.0% FSO/100° F Span Less than ±2.0% FSO/100° F
Electricals	(Model 385) Excitation Voltage 13 - 37 Vdc Output at 70° F 4-20 mA ±2% FSO Load Impedance 1200 ohms max at 37 Vdc & 600 ohms max at 24 Vdc Zero Balance 4.0 mA ±2% FSO at 70° F Resolution Infinite RFI Protection included
Mechanicals	Proof Pressure 3 times full scale pressure Burst Pressure 6 times full scale pressure Weight 29 oz. nominal
Enclosure	All-welded type 316 stainless steel. Rated NEMA-6X. Approved 3A
Identification	Etched into body
Connections	Pressure Fits standard GP:50 flush mounted weld receiver (see options for King-Gage crossover) Electrical Cable 1/2" NPT (M) thread with 20' Belden 9536, 6' conductor cable or equiv.

ORDERING GUIDE:

Ordering: Specify model, and pressure range and indicate modifications or accessories required. Use the following codes to identify desired item.

MODEL	SERIES	RANGE	PORT	OPTIONS
●	+	●	+	●/●

Example: 385-C-XK-LL-JH

SERIES (Accuracy)

B	0.5% FSO
C	0.2% FSO
D	0.1% FSO

PRESSURE RANGE

INWC	PSI
XB 20	PC 1
XC 25	PE 2
XD 30	PG 3
XF 50	PJ 5
XH 75	PL 7.5
XK 100	PN 10
XM 150	PP 15
XO 200	PR 20
XQ 300	PT 30
XS 500	PV 50
XU 750	SZ Other
XW 1,000	

PRESSURE PORT

LK	Short, fits receiver P/N: 4A7-14.5-2 (Matches King-Gage P/N 5701-1-xx)
LL	Standard, fits receiver P/N: 4A7-14.3-2 (Matches King-Gage P/N 5702-1-xx)
LM	Long, fits receiver P/N: 4A7-14.1.2 (Matches King-Gage P/N 5703-1-xx)

OPTIONS

AA	Standardized Output to ±0.5% FSO
GB	Alternate pressure range, pressure units, or full scale outputs that are non-standard.
GE	Improved temperature compensation to ±0.5% FSO/100°F for zero & span respectively.
GF	Expanded process temperature range, -65 to 250°F (±2.0% FSO/100°F.)
GJ	Add can mounted. Zero/span controls (approx. ±20% FSO adjustment)
JH	Remote cable mounted zero and span controls. 3' cable on open side. Cable on closed side as required.
JV	Voltage surge (lightning) protection.
JY	Zero balance electronic clamp to prevent transmitter signal from dropping below 4.0 mA.
GZ	Custom special