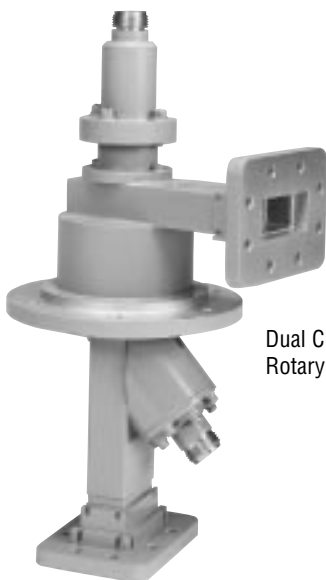
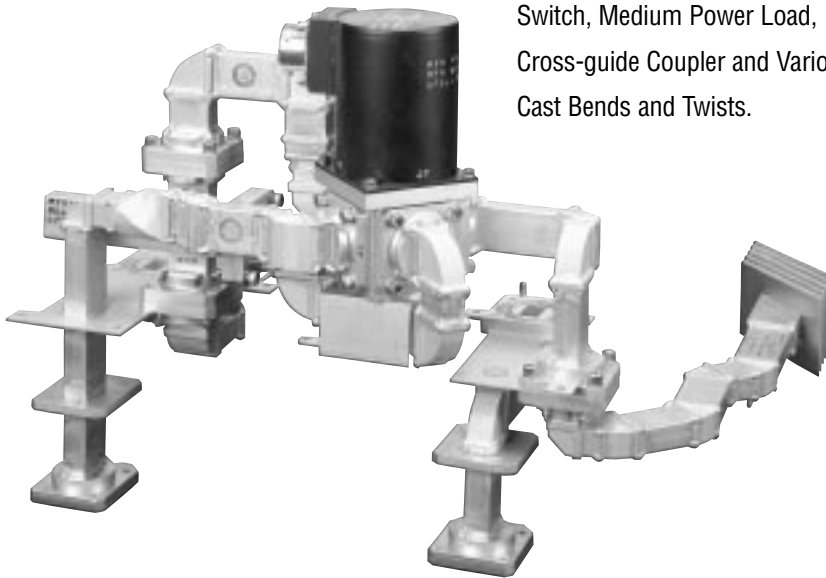


Section 7

Custom

Special WR62 Subassembly with Electro Mechanical Waveguide Switch, Medium Power Load, Cross-guide Coupler and Various Cast Bends and Twists.



Dual Channel Rotary Joint

Introduction

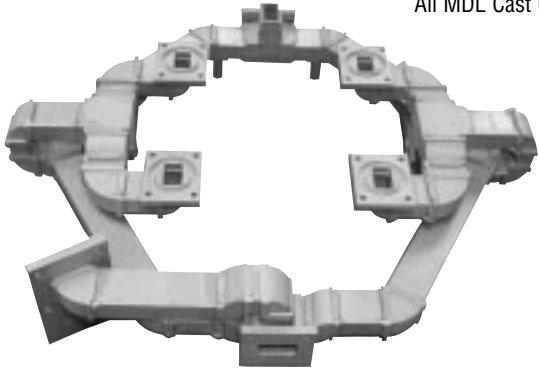
In addition to all the cast components, waveguide and flanges shown in this catalog MDL has a line of other complete components such as rotary joints, rotary switches, couplers, comparators, terminations, mixers, windows, phase shifters and attenuators, some of which are shown in the following pages.

In addition to the plethora of catalog components, custom assemblies is our forte. Give our engineers your mechanical and R. F. specifications and they will design your circuit using the latest of computer controlled equipment from Ansoft and Solid Works or from our own customized programs.

Custom

Monopulse Comparators

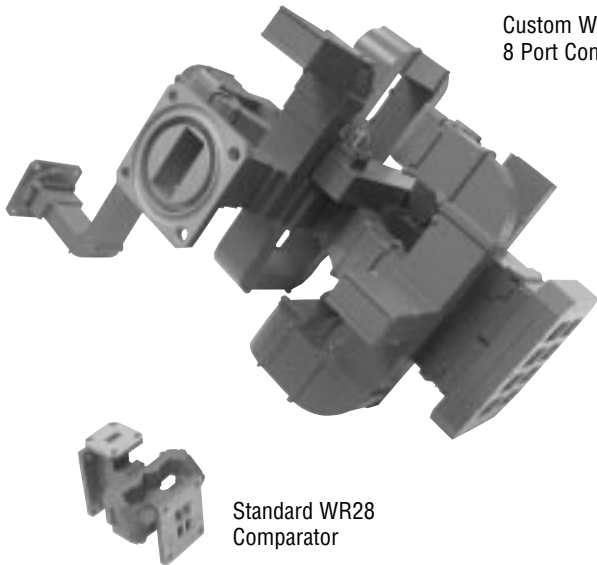
WR62 Custom Comparator Using All MDL Cast Componets



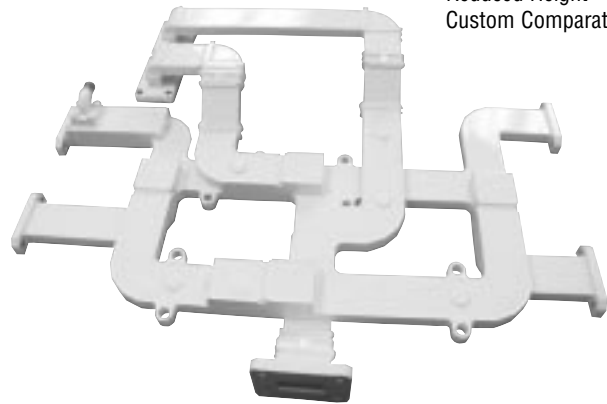
Reduced Height Custom Comparator Using N/C Machine Technology



Custom WR90 8 Port Comparator



Reduced Height Custom Comparator

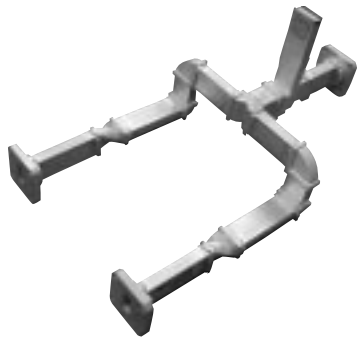


Standard WR28 Comparator

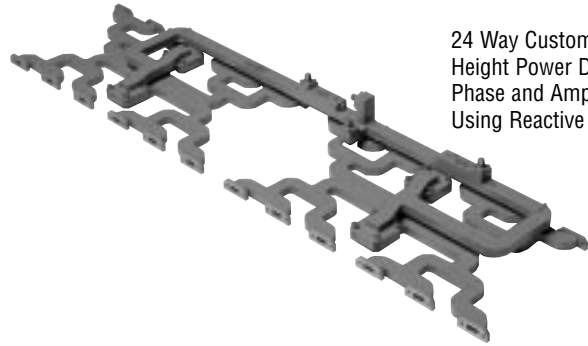


Custom

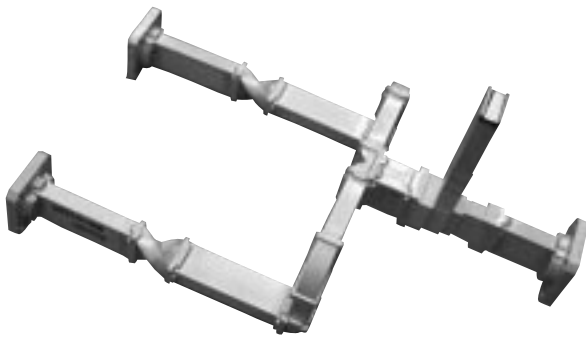
Custom Waveguide Feed Assemblies



WR62 E Plane
Tee Divider with Cast
Bends and Twists

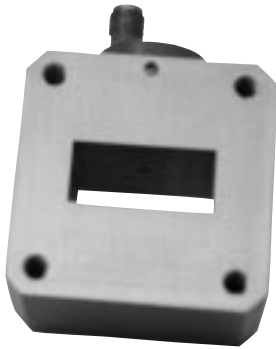


24 Way Custom Reduced
Height Power Divider Unequal
Phase and Amplitude Split
Using Reactive Tees.



Custom

Waveguide Couplers, Phase Shifters and Terminations



WR90 Loop Coupler



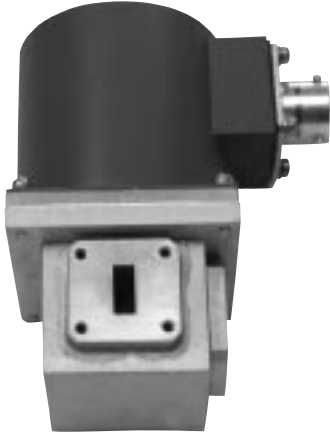
WR62 Top Wall Coupler



WR112 Crossguide Coupler

Custom

Rotary Switches



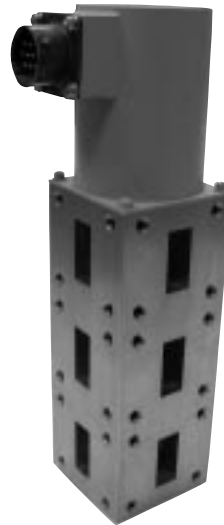
WR42 Waveguide Switch



WR90 Waveguide Switch



WR137 Waveguide Switch

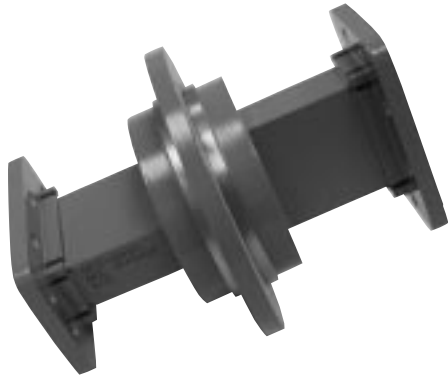


Custom WR90 Triple Path Switch All Paths Operate Simultaneously

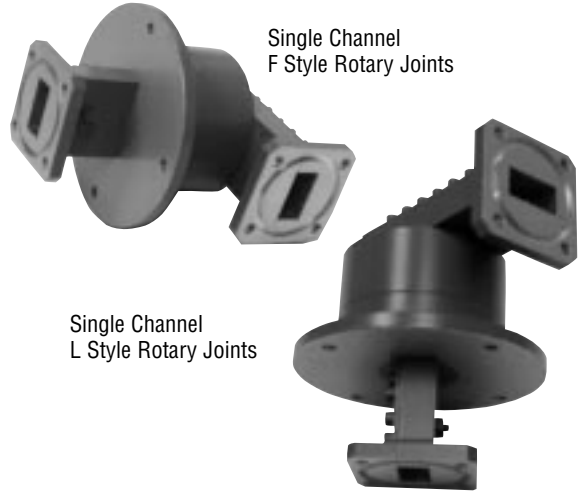


Custom

Rotary Joints, Waveguide & Coaxial, Single & Multi-channel

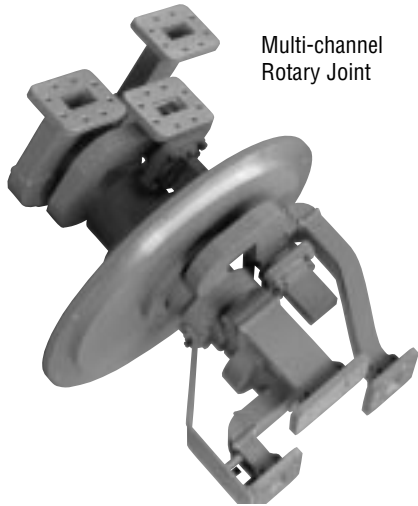


Single Channel
I Style Rotary Joint

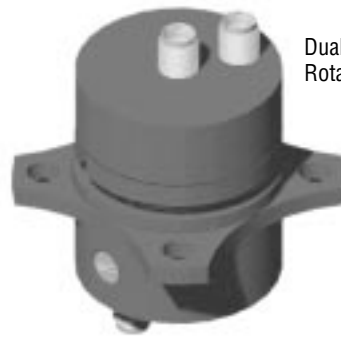


Single Channel
F Style Rotary Joints

Single Channel
L Style Rotary Joints

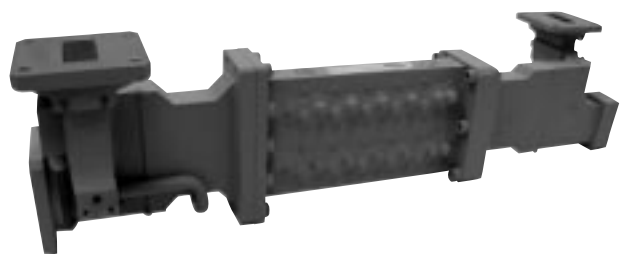
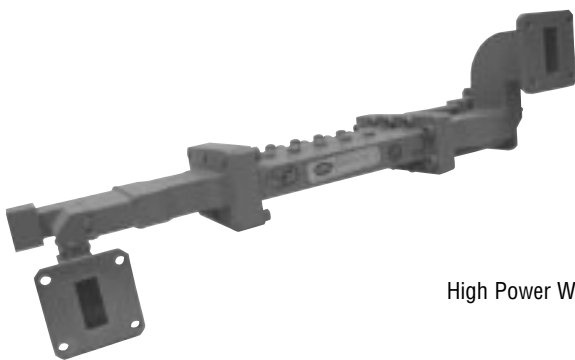


Multi-channel
Rotary Joint



Dual Channel Coax
Rotary Joint

Microwave Filters



High Power WR112 to WR90 Custom Diplexer

