

ML2500BTA**Analog-Storage Single-chip Record/Playback LSI with 1M Bit-Cell Flash Memory**

This document contains minimum specifications. For full specifications, please contact your nearest Oki office or representative.

GENERAL DESCRIPTION

Thanks to newly developed Analog Multi-Level Storage technology, ML2500B stores non-compressed analog source signal directly into on-chip 1M Bit-Cell Flash memory. The result is superb sound quality without noise and distortions introduced through coding/decoding, and impressive long-time record/playback capability up to 256 sec. ML2500B is fully controllable by an external MCU via the industry's standard Serial Peripheral Interface.

In addition, no backup requirement and low operating voltage (2.7 to 3.3 V) make the LSI an ideal choice for compact, handy and portable terminals. ML2500B is a true single-chip solution to record/playback subsystem for use with today's size-critical electronic products.

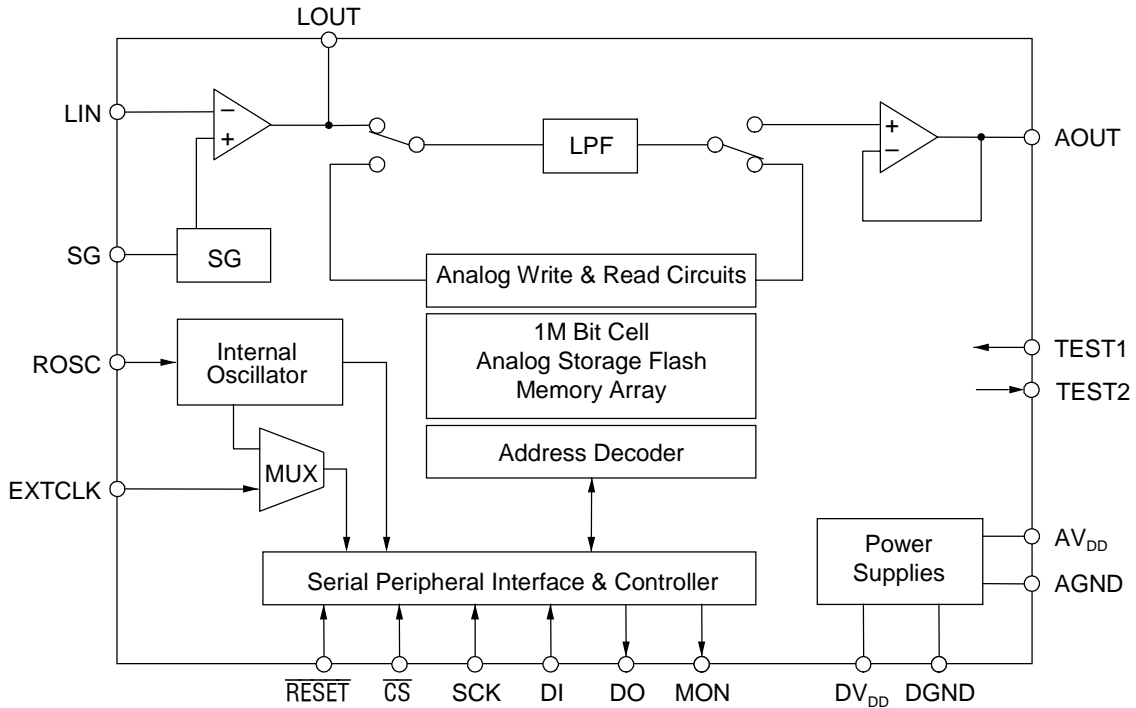
DIFFERENCES BETWEEN THE ML2500BTA AND THE ML2500TA

	ML2500BTA	ML2500TA
Operating Temperature	Ta = -40 to +70°C	Ta = -10 to +70°C
Pin Symbol	Pin 10: TEST2	Pin 10: NC
AC Characteristic	DI hold time t_{DIH} = 30 ns	DI hold time t_{DIH} = 20 ns

FEATURES

- On-chip non-volatile 1M bit-cell Flash memory
 - Program/Erase Cycles : 10,000 cycles
 - Data Retention : 10 years
- MCU Interface
 - Serial Peripheral Interface (SPI; Mode 0)
- Record/Playback Time Length (With the int. Osc. or ext. clock at 8.192 MHz)
 - Approx. 160 sec (At fsam = 6.4 kHz)
 - Approx. 190 sec (At fsam = 5.3 kHz)
 - Approx. 256 sec (At fsam = 4.0 kHz)
- Selectable Sampling Frequencies
 - 4.0 kHz, 5.3 kHz, 6.4 kHz
- Maximum number of recording phrases: 320 phrases
- Phrase Control
 - Fully controllable with user-definable Start, Stop addresses
- Built-in LPF/Smoothing Filter (LPF attenuation -40 dB/oct)
- Built-in Oscillation Circuit (8.192 MHz), No oscillator required
 - Optional external clock input (Clock Frequency 4.0 to 8.192 MHz)
- Power Supply : 2.7 to 3.3 V
- Operating Temperature:
 - 40 to +70°C (guaranteed for both function and voice quality)
 - 40 to +85°C (guaranteed for function only) *Notice
- *Notice
 - The voice quality can deteriorate at temperatures beyond the range of -40 to +70°C.
 - DC and AC characteristics in this data sheet are specified for -40 to +70°C operating temperature range.
- Package:
 - 32-pin Plastic TSOP (TSOP(1)32-P-814-0.50-1K) (Product name: ML2500BTA)
 - Note: Please contact the Oki Sales office/Distributors for bare chips.

BLOCK DIAGRAM



PIN CONFIGURATION (TOP VIEW)



NC: No connection. Keep NC pins open.

32-Pin Plastic TSOP (Type 1)

PIN DESCRIPTIONS

Pin	Symbol	Type	Description
5	DI	I	Serial input pin for command data.
6	DO	O	Serial output pin for status data.
4	SCK	I	Shift clock input pin for the DI and the DO pins.
3	\overline{CS}	I	Chip select pin. "L" level input enables data input/output through the serial interface.
2	\overline{RESET}	I	RESET input pin, resetting the serial interface circuit only. "L" level input to this pin initializes the serial interface. Must input "L" pulse after each power-on.
15	ROSC	I	Insert a 30 k Ω resistor (Precision within $\pm 1\%$) between this pin and the DGND pin. The same resistor should also be inserted if an external clock is used. The resistor value determines the frequency of the clock for control in this device.
8	EXTCLK	I	External clock input pin. Allowable clock frequency range is 4.0 to 8.192 MHz. When external clock is unused and internal oscillation clock is used, connect this pin to the DGND.
7	MON	O	Output "H" level during recording/playback operation.
26	SG	O	Analog reference voltage (Signal Ground Voltage) output pin. It is recommendable to insert a capacitor of 3300 pF or less between this pin and the AGND pin. Loads except for capacitors should not be connected to this pin.
31	LIN	I	Inverting input pin for the internal OP amplifier. Non-inverting input pin is internally connected to SG voltage.
30	LOUT	O	Output pin from the internal OP amplifier.
27	AOUT	O	Analog waveform output. Connect to an amplifier to drive a SP.
10, 11, 13, 18, 20, 22, 28, 29	TEST2	O	Pins for testing the LSI. Must be held "OPEN".
24	TEST1	I	LSI's testing pin. Must be connected to DGND.
1	DV _{DD}	—	Digital power supply pin. Insert a 0.1 μ F or larger by-pass capacitor between this pin and the DGND pin.
16	DGND	—	Digital Ground pin
32	AV _{DD}	—	Analog power supply pin. Insert a 0.1 μ F or larger by-pass capacitor between this pin and the AGND pin.
17	AGND	—	Analog Ground pin

ABSOLUTE MAXIMUM RATINGS

Parameter	Symbol	Condition	Rating	Unit
Power Supply Voltage	V_{DD}	$T_a = 25^\circ\text{C}$	-0.3 to +5.0	V
Input Voltage	V_{IN}		-0.3 to $V_{DD}+0.3$	V
Storage Temperature	T_{STG}	—	-55 to +150	$^\circ\text{C}$

RECOMMENDED OPERATING CONDITIONS

Parameter	Symbol	Condition	Range			Unit
Power Supply Voltage	V_{DD}	DGND = AGND = 0 V	2.7 to 3.3			V
Operating Temperature	T_{op}	—	-40 to +70			$^\circ\text{C}$
			Min.	Typ.	Max.	
External Clock Frequency 1 *1	$f_{EXTCLK1}$	—	3.85	4.096	4.34	MHz
External Clock Frequency 2 *1	$f_{EXTCLK2}$	—	7.70	8.192	8.68	MHz

*1: Applicable only with external clock

ELECTRICAL CHARACTERISTICS**DC Characteristics**

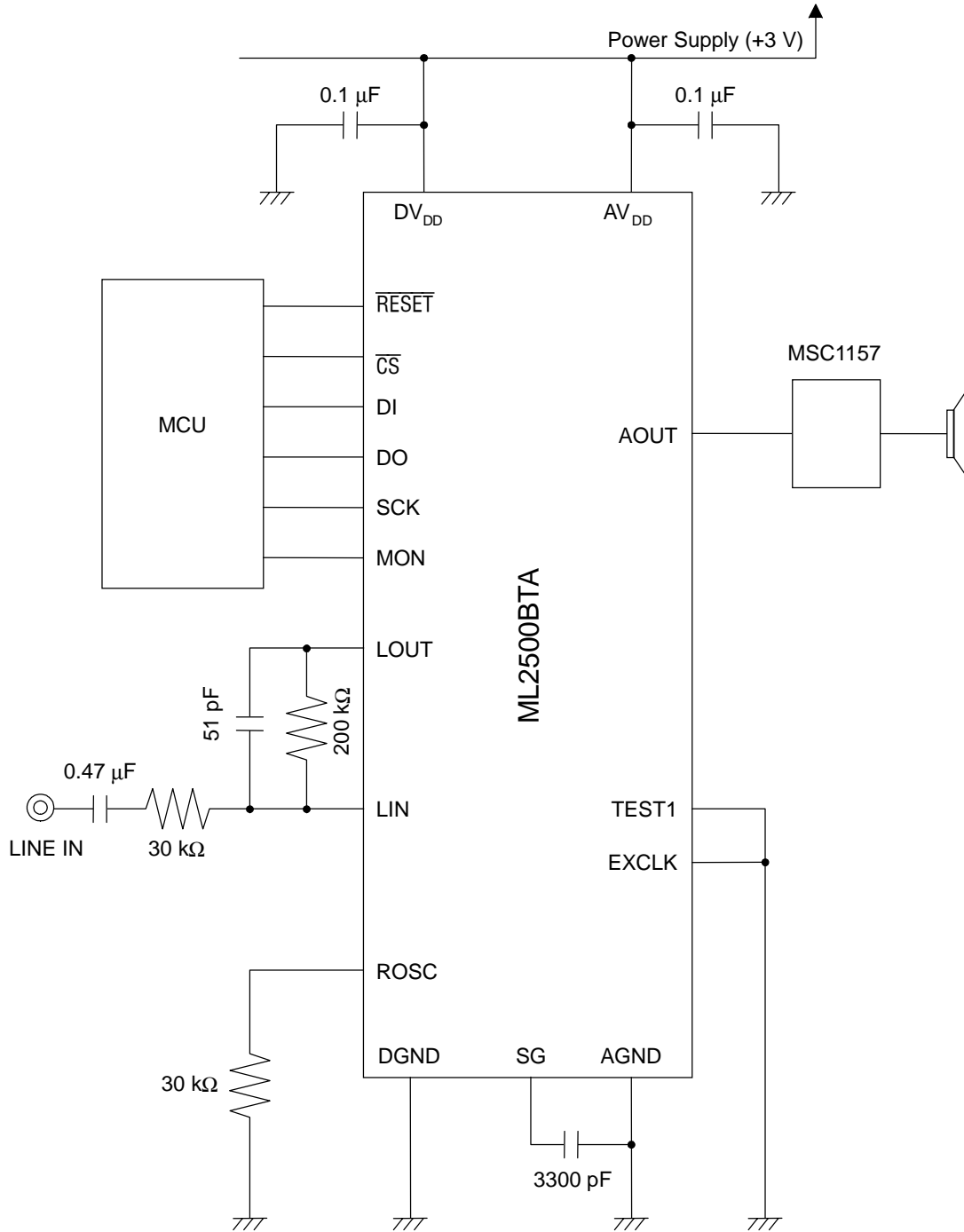
$DV_{DD} = AV_{DD} = 2.7$ to 3.3 V, DGND = AGND = 0 V, $T_a = -40$ to $+70^\circ\text{C}$

Parameter	Symbol	Condition	Min.	Typ.	Max.	Unit
"H" Input Voltage *1	V_{IH}	DGND = AGND = 0 V	$0.8 \times V_{DD}$	—	—	V
"L" Input Voltage *1	V_{IL}	—	—	—	$0.2 \times V_{DD}$	V
"H" Output Voltage *2	V_{OH}	$I_{OH} = -40 \mu\text{A}$	$V_{DD}-0.3$	—	—	V
"L" Output Voltage *2	V_{OL}	$I_{OL} = 2 \text{ mA}$	—	—	0.45	V
"H" Input Current *1	I_{IH}	$V_{IH} = V_{DD}$	—	—	10	μA
"L" Input Current *1	I_{IL}	$V_{IL} = 0 \text{ V}$	-10	—	—	μA
Operating Current Consumption 1	I_{DD1}	In Recording Operation	—	30	45	mA
Operating Current Consumption 2	I_{DD2}	In Playback Operation	—	20	30	mA
Operating Current Consumption 3	I_{DD3}	In Command-Wait State	—	5	10	mA
Powerdown Current Consumption	I_{DPS}	—	—	—	10	μA

*1: Applied to logic input pins (DI, SCK, $\overline{\text{CS}}$, $\overline{\text{RESE\!T}}$ and EXTCLK) except ROSC and TEST1 pins.

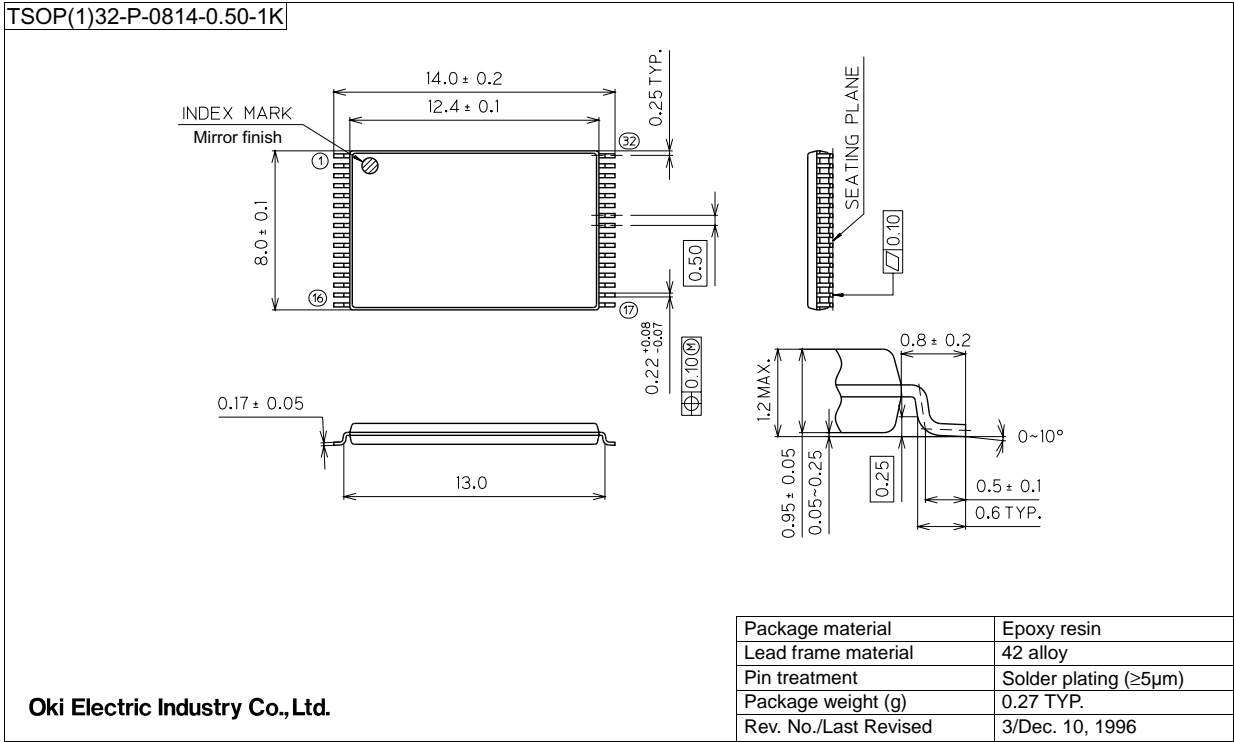
*2: Applied to logic output pins (DO and MON) except TEST2 pin.

APPLICATION CIRCUITS



PACKAGE DIMENSIONS

(Unit: mm)



Notes for Mounting the Surface Mount Type Package

The surface mount type packages are very susceptible to heat in reflow mounting and humidity absorbed in storage. Therefore, before you perform reflow mounting, contact Oki's responsible sales person for the product name, package name, pin number, package code and desired mounting conditions (reflow method, temperature and times).

NOTICE

1. The information contained herein can change without notice owing to product and/or technical improvements. Before using the product, please make sure that the information being referred to is up-to-date.
2. The outline of action and examples for application circuits described herein have been chosen as an explanation for the standard action and performance of the product. When planning to use the product, please ensure that the external conditions are reflected in the actual circuit, assembly, and program designs.
3. When designing your product, please use our product below the specified maximum ratings and within the specified operating ranges including, but not limited to, operating voltage, power dissipation, and operating temperature.
4. Oki assumes no responsibility or liability whatsoever for any failure or unusual or unexpected operation resulting from misuse, neglect, improper installation, repair, alteration or accident, improper handling, or unusual physical or electrical stress including, but not limited to, exposure to parameters beyond the specified maximum ratings or operation outside the specified operating range.
5. Neither indemnity against nor license of a third party's industrial and intellectual property right, etc. is granted by us in connection with the use of the product and/or the information and drawings contained herein. No responsibility is assumed by us for any infringement of a third party's right which may result from the use thereof.
6. The products listed in this document are intended for use in general electronics equipment for commercial applications (e.g., office automation, communication equipment, measurement equipment, consumer electronics, etc.). These products are not authorized for use in any system or application that requires special or enhanced quality and reliability characteristics nor in any system or application where the failure of such system or application may result in the loss or damage of property, or death or injury to humans. Such applications include, but are not limited to, traffic and automotive equipment, safety devices, aerospace equipment, nuclear power control, medical equipment, and life-support systems.
7. Certain products in this document may need government approval before they can be exported to particular countries. The purchaser assumes the responsibility of determining the legality of export of these products and will take appropriate and necessary steps at their own expense for these.
8. No part of the contents contained herein may be reprinted or reproduced without our prior permission.

Copyright 2000 Oki Electric Industry Co., Ltd.