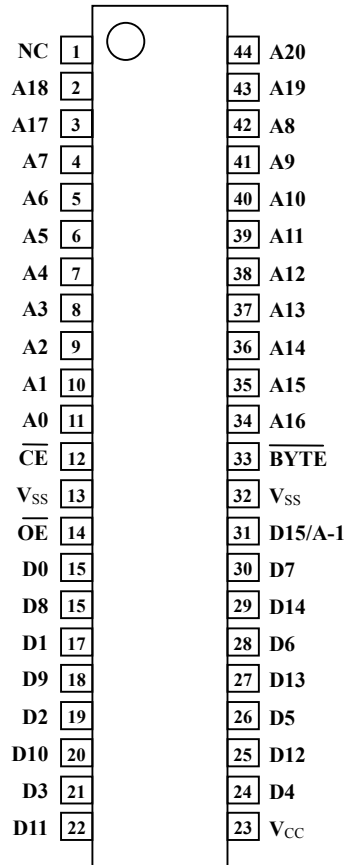


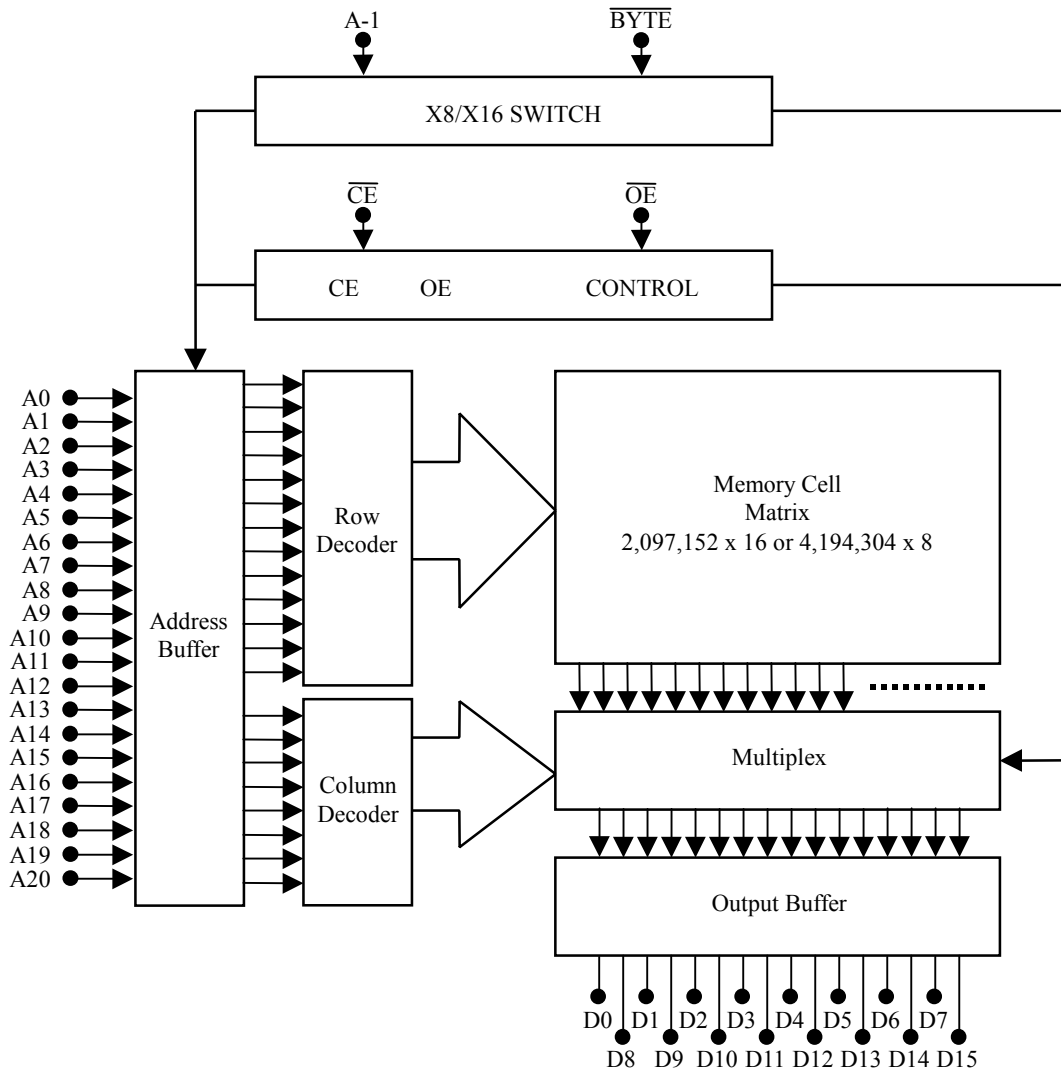
PIN CONFIGURATION (TOP VIEW)



44-Pin SOP
44-Pin TSOPII

PIN NAMES	FUNCTIONS
D15/A-1	Data output / Address input
A0~A20	Address input
D0~D14	Data output
\overline{CE}	Chip enable
\overline{OE}	Output enable
\overline{BYTE}	Mode switch
V_{CC}	Power supply voltage
V_{SS}	GND
NC	Non connection

BLOCK DIAGRAM



FUNCTION TABLE

MODE	\overline{CE}	\overline{OE}	\overline{BYTE}	D0~D7	D8~D14	A-1/D15
STAND BY	H	X	X	Hi-Z	Hi-Z	L/H
OUTPUT DISABLE	L	H	H			
OUTPUT DISABLE	L	H	L			
READ(16-BIT)	L	L	H	D _{OUT}		
READ(8-BIT)	L	L	L	D _{OUT}	Hi-Z	L/H

ABSOLUTE MAXIMUM RATINGS

Parameter	Symbol	Condition	Value	Unit
Operating temperature under bias	T _{OPR}	-	0 ~ 70	°C
Storage temperature	T _{STG}	-	-55 ~ 125	°C
Input voltage	V _I	Relative to V _{SS}	-0.5 ~ V _{CC} +0.5	V
Output voltage	V _O		-0.5 ~ V _{CC} +0.5	V
Power supply voltage	V _{CC}		-0.5 ~ 5	V
Power dissipation per package	P _D	-	1.0	W

RECOMMENDED OPERATING CONDITIONS FOR READ

(Ta=0 ~ 70°C)

Parameter	Symbol	Condition	Min.	Typ.	Min.	Unit
V _{CC} power supply voltage	V _{CC}	V _{CC} =2.7V ~ 3.6V	2.7	-	3.6	°C
Input "H" level	V _{IH}		2.2	-	V _{CC} +0.5	°C
Input "L" level	V _{IL}		-0.5	-	0.8	V

Voltage is relative to V_{SS}

PIN Capacitance

(V_{CC}=3.3V, Ta=25°C, f=1MHz)

Parameter	Symbol	Condition	Min.	Typ.	Min.	Unit
Input	C _{IN}	V _I =0V	-	-	12	pF
Output	C _{OUT}	V _O =0V	-	-	15	pF

ELECTRICAL CHARACTERISTICS

DC Characteristics 1

(V_{CC}=2.7V~3.3V, Ta=0~70°C)

Parameter	Symbol	Condition	Min.	Typ.	Min.	Unit
Input leakage current	C _{IN}	V _I =0V~V _{CC}	-	-	10	μA
Output leakage current	C _{OUT}	V _O =0V~V _{CC}	-	-	10	μA
V _{CC} power supply current (Standby)	I _{CCSC}	$\overline{CE}=V_{CC}$	-	-	10	μA
	I _{CCST}	$\overline{CE}=V_{IH}$	-	-	1	mA
V _{CC} power supply current (Active)	I _{CCA}	$\overline{CE}=V_{IL}, \overline{OE}=V_{IH}$ tc= 120ns	-	-	30	mA
Input "H" level	V _{IH}	-	2.0	-	V _{CC} +0.5	V
Input "L" level	V _{IL}	-	-0.5	-	0.8	V
Output "H" level	V _{OH}	I _{OH} =-200 μA	V _{CC} -0.4	-	-	V
Output "L" level	V _{OL}	I _{OL} =1mA	-	-	0.4	V

Voltage is relative to V_{SS}

DC Characteristics 2

(V_{CC}=3.0V~3.6V, Ta=0~70°C)

Parameter	Symbol	Condition	Min.	Typ.	Min.	Unit
Input leakage current	C _{IN}	V _I =0V~V _{CC}	-	-	10	μA
Output leakage current	C _{OUT}	V _O =0V~V _{CC}	-	-	10	μA
V _{CC} power supply current (Standby)	I _{CCSC}	$\overline{CE}=V_{CC}$	-	-	10	μA
	I _{CCST}	$\overline{CE}=V_{IH}$	-	-	1	mA
V _{CC} power supply current (Active)	I _{CCA}	$\overline{CE}=V_{IL}, \overline{OE}=V_{IH}$ tc= 100ns	-	-	40	mA
Input "H" level	V _{IH}	-	2.0	-	V _{CC} +0.5	V
Input "L" level	V _{IL}	-	-0.5	-	0.8	V
Output "H" level	V _{OH}	I _{OH} =-200 μA	V _{CC} -0.4	-	-	V
Output "L" level	V _{OL}	I _{OL} =1mA	-	-	0.4	V

Voltage is relative to V_{SS}

AC Characteristics 1

(V_{CC}=2.7V~3.3V, T_a=0~70°C)

Parameter	Symbol	Condition	Min.	Min.	Unit
Address access cycle time	T _C	-	120	-	ns
Address access time	T _{ACC}	$\overline{CE}=\overline{OE}=V_{IL}$	-	120	ns
\overline{CE} access time	T _{CE}	$\overline{OE}=V_{IL}$	-	120	ns
\overline{OE} access time	T _{OE}	$\overline{CE}=V_{IL}$	-	40	ns
Output disable time	T _{CHZ}	$\overline{OE}=V_{IL}$	0	35	ns
	T _{OHZ}	$\overline{CE}=V_{IL}$	0	30	ns
Output hold time	T _{OH}	$\overline{CE}=\overline{OE}=V_{IL}$	0	-	ns

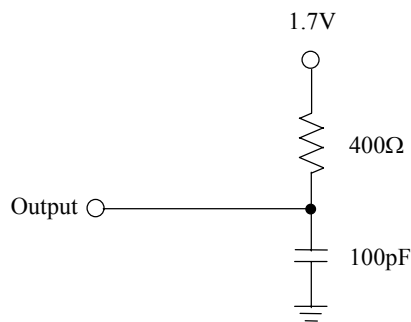
AC Characteristics 2

(V_{CC}=3.0V~3.6V, T_a=0~70°C)

Parameter	Symbol	Condition	Min.	Min.	Unit
Address access cycle time	T _C	-	100	-	ns
Address access time	T _{ACC}	$\overline{CE}=\overline{OE}=V_{IL}$	-	100	ns
\overline{CE} access time	T _{CE}	$\overline{OE}=V_{IL}$	-	100	ns
\overline{OE} access time	T _{OE}	$\overline{CE}=V_{IL}$	-	30	ns
Output disable time	T _{CHZ}	$\overline{OE}=V_{IL}$	0	30	ns
	T _{OHZ}	$\overline{CE}=V_{IL}$	0	25	ns
Output hold time	T _{OH}	$\overline{CE}=\overline{OE}=V_{IL}$	0	-	ns

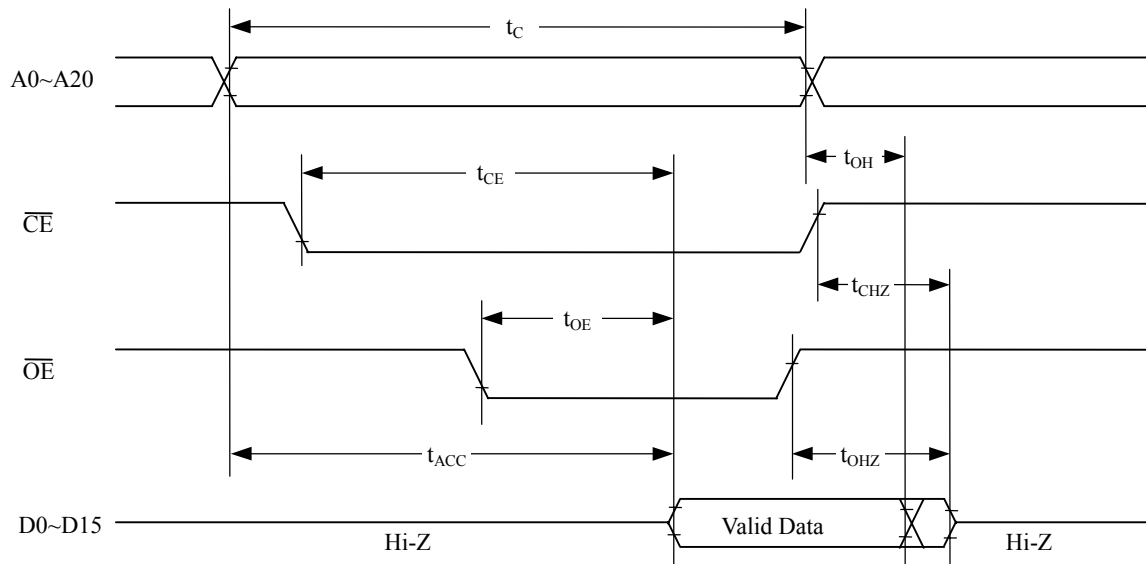
Measurement condition

Input signal level	0V/3V
Input timing reference level	0.8V/2.0V
Output load	100pF
Output timing reference level	0.8V/2.0V

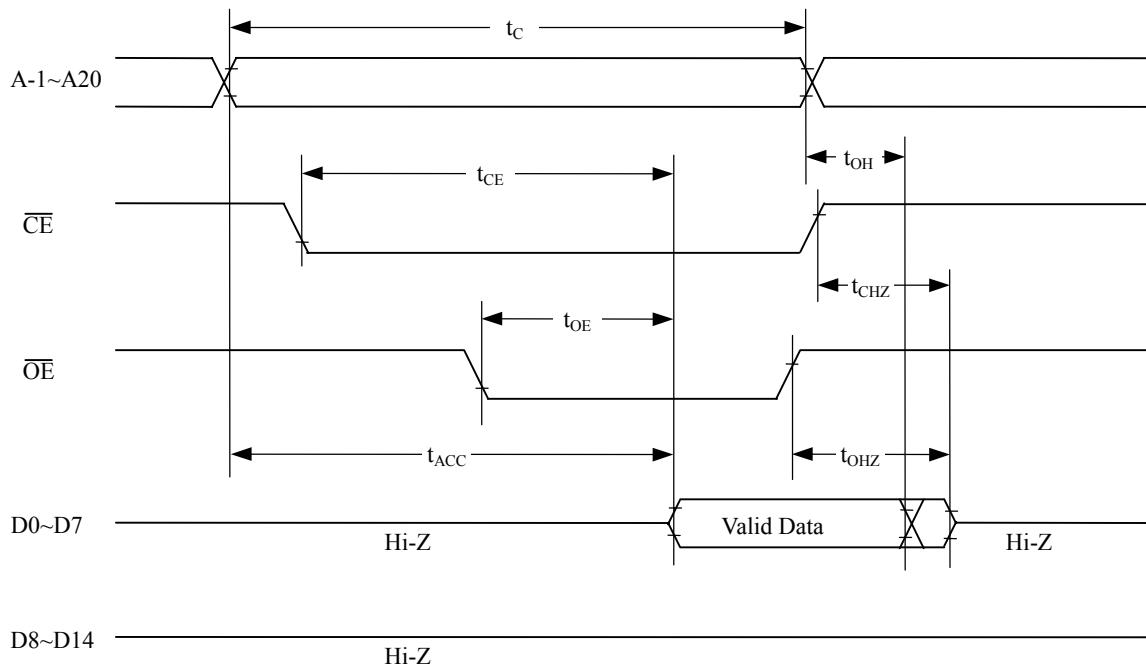


TIMING CHART

16BIT READ MODE ($\overline{\text{BYTE}}=\text{H}$)



8BIT READ MODE ($\overline{\text{BYTE}}=\text{L}$)



NOTICE

The information contained herein can change without notice owing to product and/or technical improvements. Before using the product, please make sure that the information being referred to is up-to-date.

The outline of action and examples for application circuits described herein have been chosen as an explanation for the standard action and performance of the product. When planning to use the product, please ensure that the external conditions are reflected in the actual circuit, assembly, and program designs.

When designing your product, please use our product below the specified maximum ratings and within the specified operating ranges including, but not limited to, operating voltage, power dissipation, and operating temperature.

Oki assumes no responsibility or liability whatsoever for any failure or unusual or unexpected operation resulting from misuse, neglect, improper installation, repair, alteration or accident, improper handling, or unusual physical or electrical stress including, but not limited to, exposure to parameters beyond the specified maximum ratings or operation outside the specified operating range.

Neither indemnity against nor license of a third party's industrial and intellectual property right, etc. is granted by us in connection with the use of the product and/or the information and drawings contained herein. No responsibility is assumed by us for any infringement of a third party's right which may result from the use thereof.

The products listed in this document are intended for use in general electronics equipment for commercial applications (e.g., office automation, communication equipment, measurement equipment, consumer electronics, etc.). These products are not authorized for use in any system or application that requires special or enhanced quality and reliability characteristics nor in any system or application where the failure of such system or application may result in the loss or damage of property, or death or injury to humans. Such applications include, but are not limited to, traffic and automotive equipment, safety devices, aerospace equipment, nuclear power control, medical equipment, and life-support systems.

Certain products in this document may need government approval before they can be exported to particular countries. The purchaser assumes the responsibility of determining the legality of export of these products and will take appropriate and necessary steps at their own expense for these.

No part of the contents contained herein may be reprinted or reproduced without our prior permission.

All brand, company and product names are the trademarks or registered trademarks of their respective owners.

Copyright 1998 Oki Electric Industry Co., Ltd.
Marketing Communications Team (RB)

OKI

People To People Technology

ADDRESSES & SEMICONDUCTOR WEB SITES

OKI Electric Industry Co., Ltd.,

Device Business Group,
10-3, Shibaura, 4-chome,
Minato-ku, Tokyo 108, Japan,
Tel.: +81-(0)3-5445-6327,
Fax.: +81-(0)3-5445-6328,
<http://www.oki.co.jp/semi/>

OKI Semiconductor Group,

785 North Mary Avenue,
Sunnyvale, CA 94086, U.S.A.,
Tel.: +1-408-720-1900,
Fax.: +1-408-720-1918,
<http://www.okisemi.com/>

OKI Electric Europe GmbH,

Head Office Europe,
Hellersbergstrasse 2,
D-41460 Neuss, Germany,
Tel: +49-2131-15960,
Fax: +49-2131-103539,
<http://www.oki-europe.de/>

OKI Electronics (Hong Kong) Ltd.,

Suite 1901-1&19, Tower 3,
China Hong Kong City,
33 Canton Road, Tsimshatsui,
Kowloon, Hong Kong,
Tel.: +852-2-736-2336,
Fax.: +852-2-736-2395

OKI Semiconductor (Asia) Pte. Ltd.,

78 Shenton Way 09-01,
Singapore 0207,
Tel.: +65-221-3722,
Fax.: +65-323-5376

OKI Semiconductor (Asia) Pte. Ltd.,

Taipei Branch,
7th Fl. No.260, Tun Hwa North Road,
Taipei, Taiwan, R.O.C.,
Sumitomo-Flysun Building,
Tel.: +886-2-2719-2561,
Fax.: +886-2-2715-2892
<http://www.oki.net.tw/>

For further information, please contact: