

OAS1043F-V2**Preliminary****OC192 IR-2 10Gbit/s Transmitter****GENERAL DESCRIPTION**

The OAS1043F-V2 is a long wavelength optical transmitter intended for 9.953 Gbit/s applications such as SONET OC-192 IR-2 and SDH G691 S-64.2b. The transmitter is operated from -5.2 V and 3.3 V DC power supply and with AC coupled 10 Gbit/s signal interface.

FEATURES

- Compliant with OC192 IR-2 and STM S64.2 applications
- EA-LD modulation type
- Average fiber output power : -1 dBm Min.
- Dispersion penalty : 2 dB Max. (@800 ps/nm)
- Low power consumption : 3.2 W Typ. (@25 deg), 5.7 W Typ.(@65 deg)
- Operating temperature range : 0 to 65 °C
- Package size : $95 \times 110 \times 13.2$ mm³
- Power supply : $+3.3$ V, -5.2 V

ABSOLUTE MAXIMUM RATINGS

Parameter	Symbol	Limit	Unit
Storage Temperature	Tstg	-40 to 70	°C
Operating Temperature	Top	0 to 65	°C
Power Supply Voltage	Vcc	4	V
	V _{EE}	-6	V
Input RF Level	Vin	1.8	Vpp

ELECTRICAL AND OPTICAL SPECIFICATIONS**Optical Characteristics**

Parameter	Symbol	Min.	Typ.	Max.	Unit	Note
Fiber Output Power	Pf	-1.0	—	+2.0	dBm	note1
Peak Wave Length	λ_p	1530	—	1565	nm	note1
Extinction Ratio	Er	8.2	—	—	dB	note1
Side Mode Suppression Ratio	SMSR	30	—	—	dB	note1
Dispersion Penalty	Dp	—	—	2.0	dB	note2

note1: 9.95328 Gb/s, NRZ 2³¹-1, Mark Density 1/2

V_{cc} = +3.3 V ±5 %, V_{EE} = -5.2 ±5%

note2: Dispersion = +800 ps/nm, BER 10⁻¹²

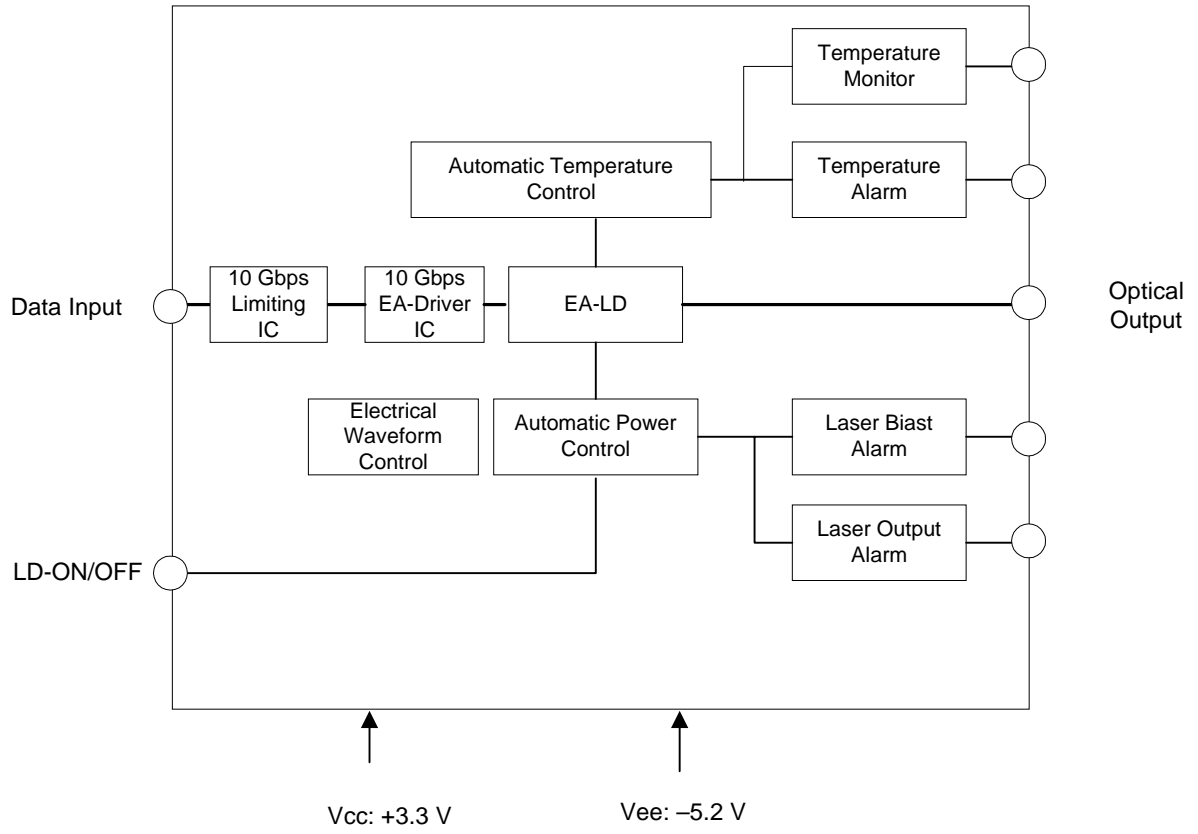
Electrical Characteristics

Parameter	Symbol	Min.	Typ.	Max.	Unit	Note
Bit Rate		9.95328			Gbit/s	
Transmission Code		NRZ			—	
Data Input Voltage	V _{in}	0.4	—	1.0	V _{pp}	50 ohm, AC coupled
DC Power Supply Voltage	V _{cc}	3.14	3.3	3.46	V	
	V _{ee}	-4.94	-5.2	-5.46	V	
DC Power Supply Current	I _{cc}	—	—	1.4	A	
	I _{ee}	—	—	0.4	A	
Power Consumption	P _c	—	—	6.5	W	
Laser Output Alarm	LFA	Normal Operation: LOW Alarm threshold: Set Power -6 ±1 dB				Open Collector
Laser Bias Alarm	LBM	Normal Operation: LOW Alarm threshold: 150 ±10 mA				Open Collector
Temperature Alarm	T-ALM	Normal Operation: LOW Alarm threshold: Set Temperature ±1°C				Open Collector
LD ON/OFF	LSC	ON: < 0.5 V OFF: > 1.6 V				

MODULE CHARACTERISTICS

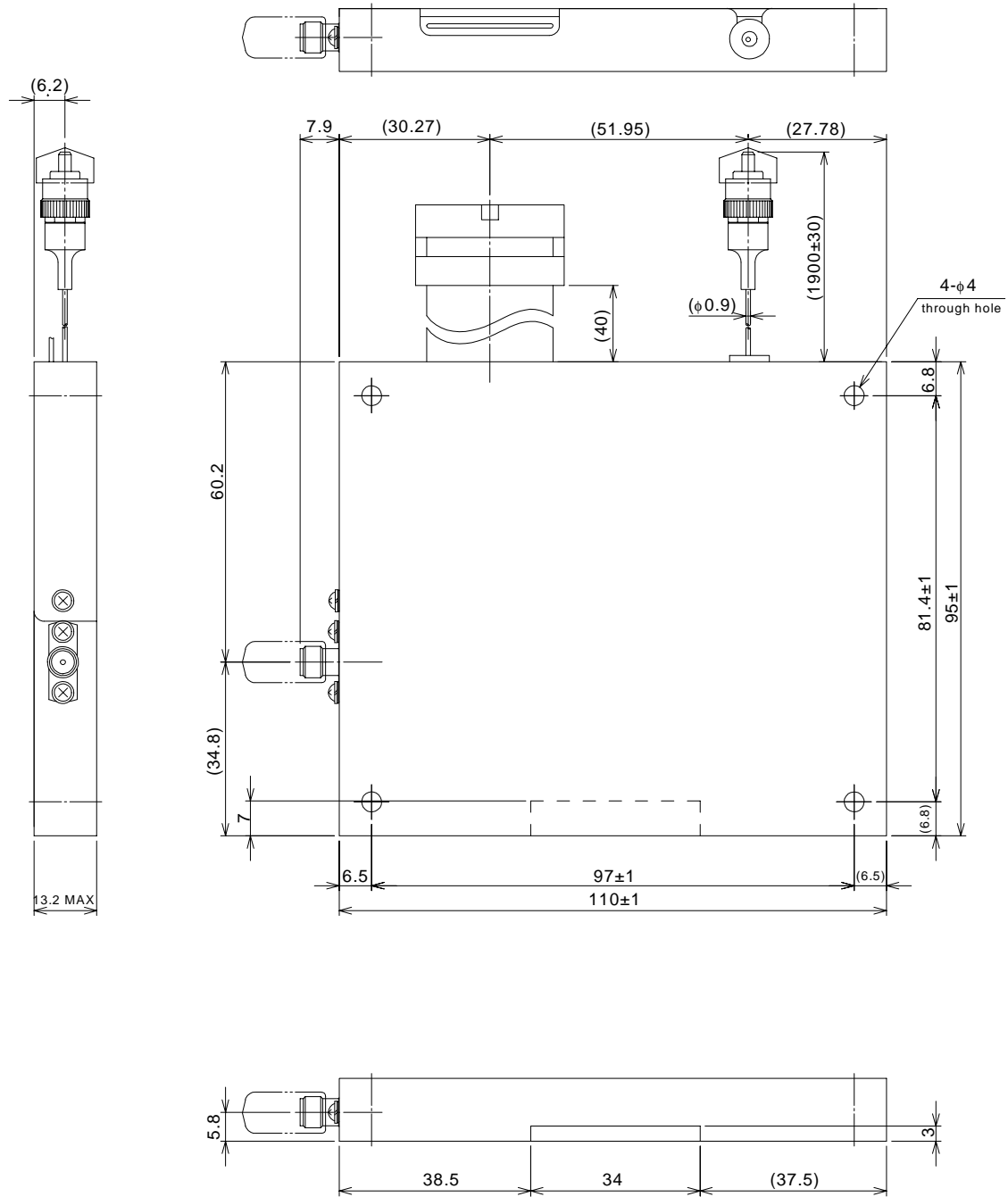
Parameter	Description
RF Connector	SMA Connector
Fiber	Standard single-mode fiber
Optical Connector	FC/SPC Connector

BLOCK DIAGRAM



OUTLINE DIAGRAM

Dimension: mm

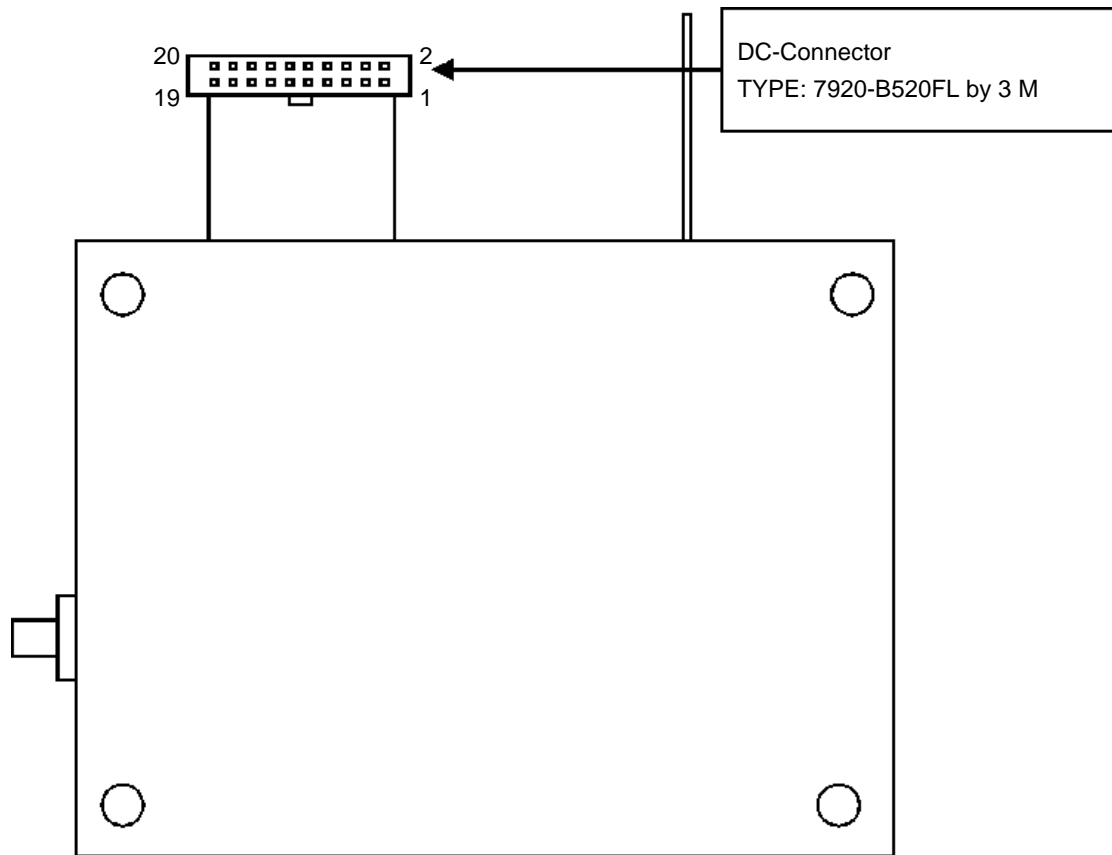


(Top view)

PIN DESCRIPTIONS

Pin-No.	Symbol	Description	Pin-No.	Symbol	Description
1	Vee	-5.2 V	11	Vcc	+3.3 V
2	Vee	-5.2 V	12	GND	Ground.
3	NC	No contact (no used)	13	NC	No contact (no used)
4	NC	No contact (no used)	14	NC	No contact (no used)
5	GND	Ground.	15	GND	Ground.
6	LFA	Laser Output Alarm	16	GND	Ground.
7	GND	Ground	17	T-MON	Laser Temperature Monitor
8	LBM	Laser Bias Alarm	18	NC	No contact (no used)
9	Vcc	+3.3 V	19	T-ALM	Laser Temperature Alarm
10	LSC	Laser ON/OFF Control	20	NC	No contact (no used)

BLOCK DIAGRAM



(Top view)

NOTICE

1. The information contained herein can change without notice owing to product and/or technical improvements. Before using the product, please make sure that the information being referred to is up-to-date.
2. The outline of action and examples for application circuits described herein have been chosen as an explanation for the standard action and performance of the product. When planning to use the product, please ensure that the external conditions are reflected in the actual circuit, assembly, and program designs.
3. When designing your product, please use our product below the specified maximum ratings and within the specified operating ranges including, but not limited to, operating voltage, power dissipation, and operating temperature.
4. Oki assumes no responsibility or liability whatsoever for any failure or unusual or unexpected operation resulting from misuse, neglect, improper installation, repair, alteration or accident, improper handling, or unusual physical or electrical stress including, but not limited to, exposure to parameters beyond the specified maximum ratings or operation outside the specified operating range.
5. Neither indemnity against nor license of a third party's industrial and intellectual property right, etc. is granted by us in connection with the use of the product and/or the information and drawings contained herein. No responsibility is assumed by us for any infringement of a third party's right which may result from the use thereof.
6. The products listed in this document are intended for use in general electronics equipment for commercial applications (e.g., office automation, communication equipment, measurement equipment, consumer electronics, etc.). These products are not authorized for use in any system or application that requires special or enhanced quality and reliability characteristics nor in any system or application where the failure of such system or application may result in the loss or damage of property, or death or injury to humans. Such applications include, but are not limited to, traffic and automotive equipment, safety devices, aerospace equipment, nuclear power control, medical equipment, and life-support systems.
7. Certain products in this document may need government approval before they can be exported to particular countries. The purchaser assumes the responsibility of determining the legality of export of these products and will take appropriate and necessary steps at their own expense for these.
8. No part of the contents contained herein may be reprinted or reproduced without our prior permission.

Copyright 2001 Oki Electric Industry Co., Ltd.