

OKI electronic components

OE3807G

1.3 μm Edge-Emitting LED FC type Receptacle Module

GENERAL DESCRIPTION

The OE3807G is a single-mode FC receptacle type module with an edge-emitting LED. This device is an optimal light source for optical LAN's and optical measurement equipment.

FEATURES

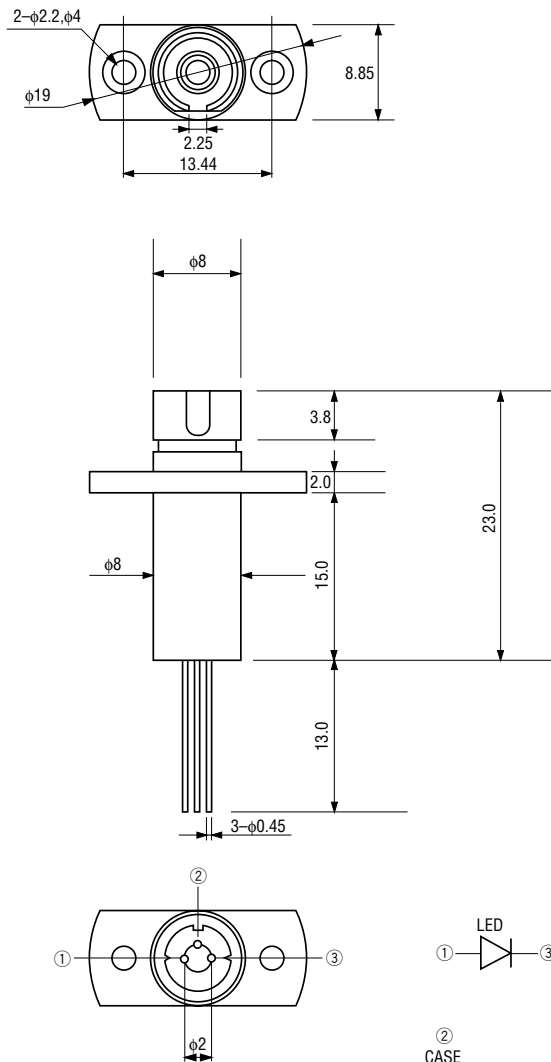
- Single-mode fiber output: $P_f=20 \mu\text{W}$
- High-speed operation

APPLICATIONS

- Optical LAN system
- Optical measurement equipment

PACKAGE DIMENSIONS (Unit: mm)

- OE3807G



ABSOLUTE MAXIMUM RATINGS

Parameter	Symbol	Test Conditions	Ratings	Unit
Forward Current	I_F	$T_a=25^\circ\text{C}$	150	mA
Reverse Voltage	V_R		1	V
Operating Temperature	T_{opr}	—	-20 to +65	$^\circ\text{C}$
Storage Temperature	T_{stg}	—	-40 to +85	$^\circ\text{C}$

OPTICAL AND ELECTRICAL CHARACTERISTICS

($T_a=25^\circ\text{C}$)

Parameter	Symbol	Test Conditions	Min.	Typ.	Max.	Unit
Fiber Output Power	P_f	$I_F=100\text{ mA}$	20	—	—	μW
Peak-emission Wavelength	λ_p	$I_F=100\text{ mA}$	1270	1300	1330	nm
Spectral Bandwidth	$\Delta\lambda$	$I_F=100\text{ mA}$	—	60	100	nm
Rise Time	t_r	$P_f=20\ \mu\text{W}$, 10% to 90%	—	2	—	ns
Fall Time	t_f		—	3	—	ns
Forward Voltage	V_F	$I_F=100\text{ mA}$	—	—	2	V

TYPICAL CHARACTERISTICS

- OL3807G

Fiber Output Power vs. Forward Current

