



ASRD 700 SERIES

GLASS PACKAGE STEP RECOVERY DIODE

DESCRIPTION:

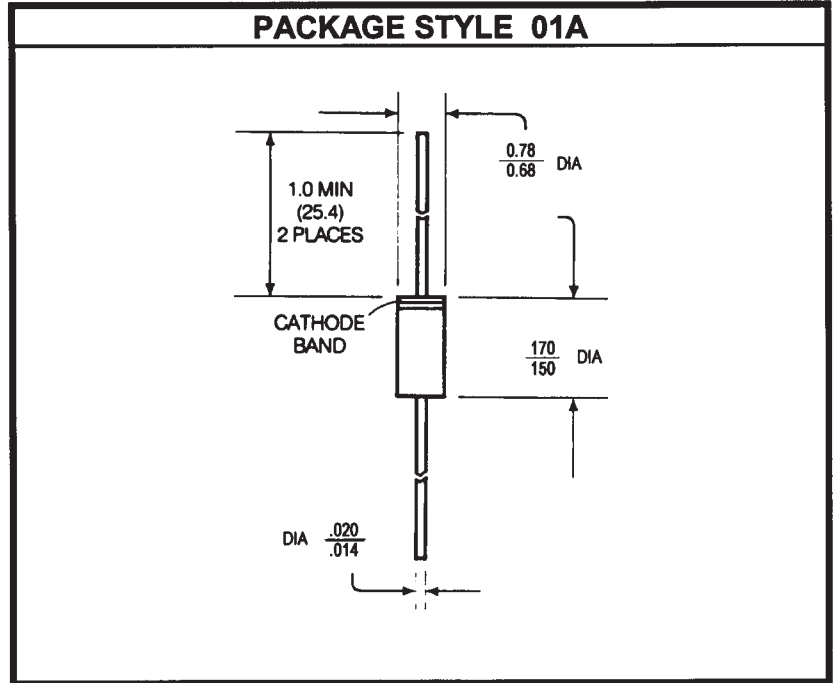
The **ASRD 700** Series of Step Recovery Diodes are Designed for General Purpose VCO and Sampler Applications.

FEATURES INCLUDE:

- Transition Time as Low as **70 pS**
- Hermetic Glass Package

MAXIMUM RATINGS

I_F	50 mA
V_R	UP TO RATED V_{BR}
P_{DISS}	290 mW
T_J	-65 °C to +200 °C
T_{STG}	-65 °C to +200 °C
θ_{JC}	0.6 °C /mW



STATIC ELECTRICAL CHARACTERISTICS $T_C = 25\text{ }^\circ\text{C}$

SYMBOL	TEST CONDITIONS		MINIMUM	TYPICAL	MAXIMUM	UNITS
V_{BR}	$I_R = 10\ \mu\text{A}$	ASRD 703	70			V
		ASRD 715	50			
		ASRD 725	45			
		ASRD 733	25			
		ASRD 740	15			
		ASRD 751	15			
		ASRD 753	25			
C_{J6}	$V_R = 6\ \text{V}$	$f = 1\ \text{MHz}$	ASRD 703		6.0	pF
			ASRD 715		4.0	
			ASRD 725		2.0	
			ASRD 733		1.6	
			ASRD 740		0.6	
			ASRD 751		0.65	
			ASRD 753		0.4	

ADVANCED SEMICONDUCTOR, INC.

7525 Ethel Avenue • North Hollywood, California 91605 • U.S.A.
Tel: (818) 982-1200 • (800) 423-2354 • Fax: (818) 765-3004

email: sales@adsemi.com • web: www.adsemi.com



ASRD 700 SERIES

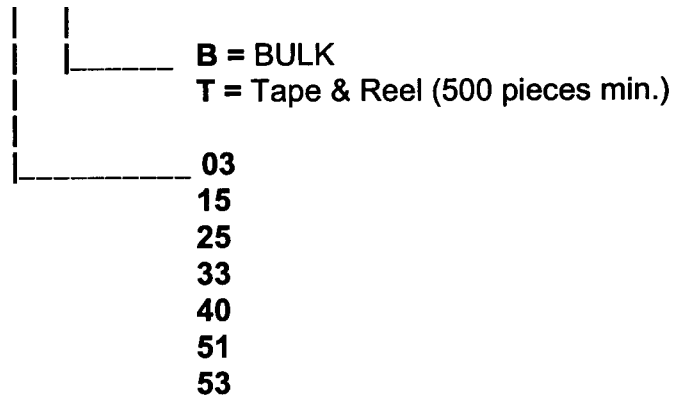
GLASS PACKAGE STEP RECOVERY DIODE

DYNAMIC ELECTRICAL CHARACTERISTICS $T_c = 25^\circ\text{C}$

SYMBOL	TEST CONDITIONS			MINIMUM	TYPICAL	MAXIMUM	UNITS
τ	$I_F = 10\text{ mA}$	$I_R = 6\text{ mA}$	ASRD 703	200			nS
			ASRD 715	100			
			ASRD 725	30			
			ASRD 733	10			
			ASRD 740	10			
			ASRD 751	10			
			ASRD 753	10			
			T_f	$V_R = 7\text{ V}$	$I_F = 3\text{ mA}$	ASRD 703	
ASRD 715		320					
ASRD 725		160					
ASRD 733		90					
ASRD 740		75					
ASRD 751		100					
ASRD 753		95					

ORDERING INFORMATION:

ASRD 7XXB





ASRD 700 SERIES

GLASS PACKAGE STEP RECOVERY DIODE

CROSS REFERENCE

HP P/N	ASI P/N
5082-0151	ASRD 751
5082-0153	ASRD 753
5082-0803	ASRD 703
5082-0815	ASRD 715
5082-0825	ASRD 725
5082-0833	ASRD 733
5082-0840	ASRD 740