

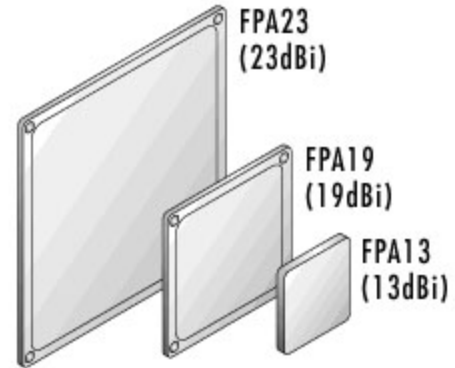


Flat Panel and Low Profile

Directional Antennas - Flat Panel (FPA) and Low Profile (LPA)

FLAT PANEL

- High gain, up to 32dBi.
- Narrow beam coverage in one direction.
- Polarisation can be circular, linear or dual.
- More efficient than an equivalent dish, lower sidelobes than helices.
- Medium and high gain, from 10dBi to 23dBi. Gain of 32dBi has been achieved for special projects.
- Frequency range from 250MHz to 18GHz.
- Bandwidths from 6% to 15%.
- Designs are slim and environmentally discreet, smaller than an equivalent horn.
- High isolation dual polar designs.
- Rugged housing for harsh environments.
- Customised low cost integrated antennas.

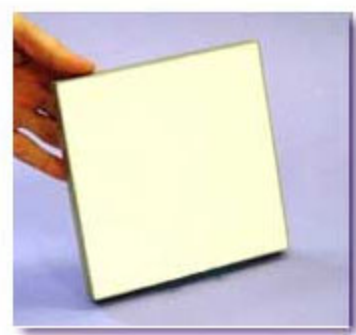
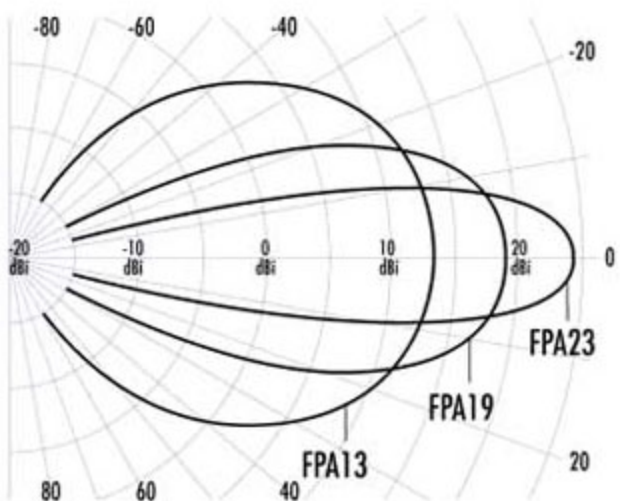


*Relative size of antennas with different gain, same frequency.

LOW PROFILE

Low profile antennas feature the same benefits as flat panel antennas, but always have 7dBi gain and a 70° by 70° HPBW

*Typical radiation patterns for flat panels.



ANTENNA TYPES	
FLAT PANEL ANTENNAS Slim, directional antennas with high gain.	Flat Panel
SECTOR ANTENNAS Directional antennas with sector coverage, 400MHz to 14GHz.	Sector
OMNI-DIRECTIONAL ANTENNAS Omni and end-fed dipole antennas, rugged, various polarisations	Omni
BROADBAND ANTENNAS Ultra-wide band coverage, Planar Spiral and Omni	Broadband
HELIX ANTENNAS Directional, medium gain, broad bandwidth	Helix