

HEMI OMNI ANTENNA HOA2-159L-GPS/1486

SUNSTAR微波光电 <http://www.rfoe.net/> TEL:0755-83396822 FAX:0755-83376182 E-MAIL: szss20@163.com



ELECTRICAL

	SATELLITE	GPS
FREQUENCY:	1.525 - 1.6605 GHz	1.56 - 1.59 GHz
GAIN:	2 - 4 dBiC Nom.	30 dBiC Typ. (Amp)
POLARISATION:	Left Hand Circular	Right Hand Circular
BEAMWIDTH:	360° (Az) x 163° (El)	360° (Az) x 163° (El)
AXIAL RATIO:	2.5 dB Typ.	4.0 dB Typ.
VSWR:	2:1	N/A
POWER RATING:	20 W	5 VDC via coax
FRONT TO BACK:	N/A	N/A

MECHANICAL

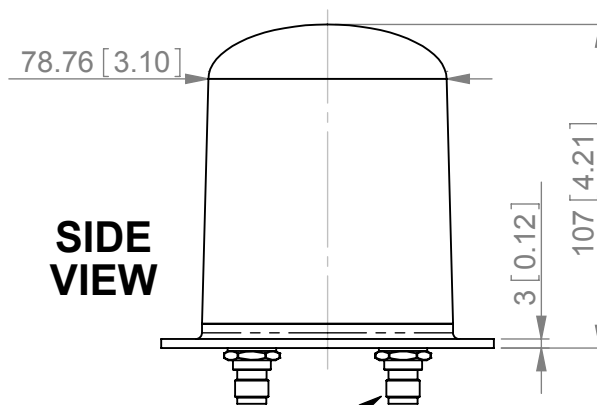
STANDARD FINISH:	Alocrom Base, White Plastic Radome
MASS:	220 g / 0.49 lbs
TEMPERATURE:	-40° to +70°C
WIND LOADING:	1.34 Kg / 2.96 lbs @ 100 mph

MOUNTING OPTIONS

KITS AVAILABLE: 155A

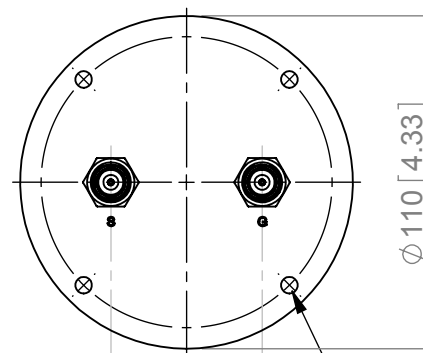
See Separate Data Sheets

GA: 1486-2 Issued: 250708
DIMENSIONS: mm [inches] H



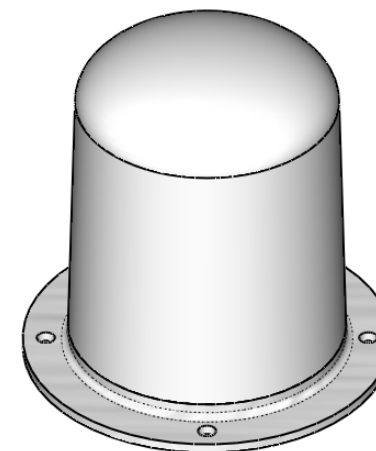
SIDE VIEW

2 OFF TNC(F) CONNECTORS

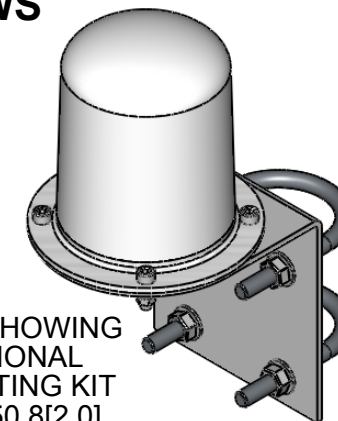


BASE VIEW

4 OFF
Ø 5.5 [0.21] HOLES
EQUI-SPACED
ON 96.2 [3.78] PCD



ISOMETRIC VIEWS



VIEW SHOWING
OPTIONAL
MOUNTING KIT
FOR 50.8 [2.0]
POLES

HOA2-159L-GPS/1486

European Antennas Ltd. has a policy of continuous development and therefore stress that the data contained on this sheet should be used for guidance only.

European Antennas Ltd. is part of the Cobham Antennas Division



SUNSTAR射频通信 <http://www.rfoe.net/> TEL:0755-83397033 FAX:0755-83376182 E-MAIL: szss20@163.com



European Antennas Ltd
Lambda House, Cheveley
Newmarket, Suffolk, CB8 9RG, UK
Tel: +44 (0)1638 731888
sales@european-antennas.co.uk
www.european-antennas.co.uk