



## GENERAL DESCRIPTION

THE TT8492B IS AN ELECTRONIC CLINICAL THERMOMETER IC. IT'S FUNCTION IS COMPATIBLE TC8492A AND ENHANCE THE BUZZER'S FREQUENCY(6.4K/8K) OPTION BY PAD.

## FEATURES

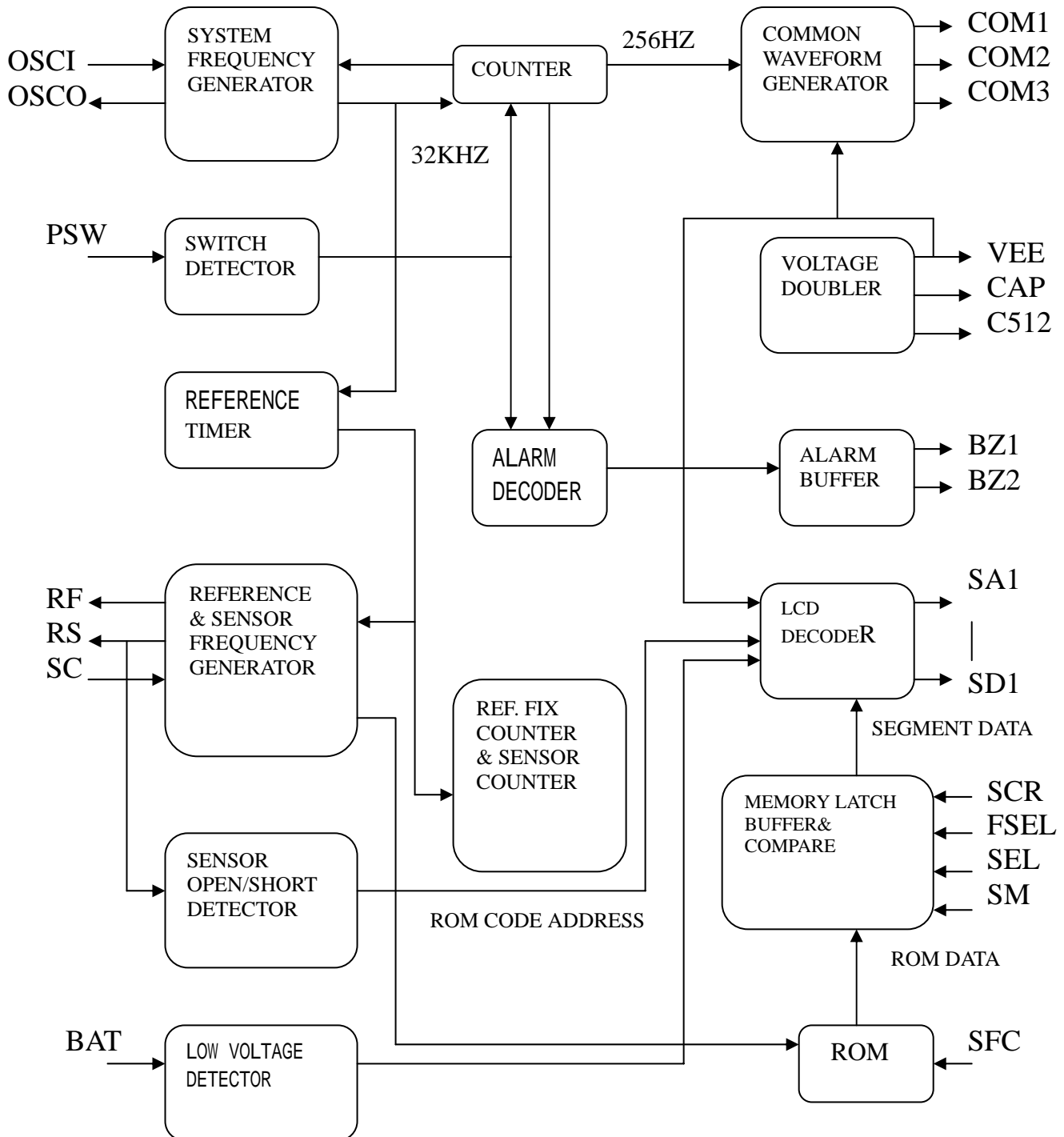
- ◇ SINGLE 1.5V BATTERY POWER SUPPLY
- ◇ PROVIDE LOWER VOLTAGE DETECTOR FUNCTION
- ◇ PROVIDE FEVER ALARM FUNCTION
- ◇ AUTOMATICALLY TURN-OFF FUNCTION
- ◇ BUZZER ALARM INDICATES ON/OFF BUTTON PUSHES
- ◇ BUZZER ALARM INDICATES NO INCREASE IN TEMPERATURE
- ◇ BUZZER ALARM INDICATES FEVER DETECTED
- ◇ WITHIN BUZZER ALARM INTERVAL DISABLE PEAK TEMPERATURE LATCH
- ◇ BONDING OPTION READ IN THE BIOMEDICAL RANGE OF 32.0 TO 42.0 OR 32.0 TO 44.0
- ◇ BONDING OPTION READ IN THE BIOMEDICAL RANGE OF 89.6 TO 107.6 OR 89.6 TO 111.2
- ◇ BONDING OPTION MEMORY FUNCTION
- ◇ BONDING OPTION OR
- ◇ BONDING OPTION BUZZER ALARM FREQUENCY 4K/6.4K/8K OR 5.3K/6.4K/8K

## APPLICATION

- ◇ 60SEC DIGITAL LCD THERMOMETER

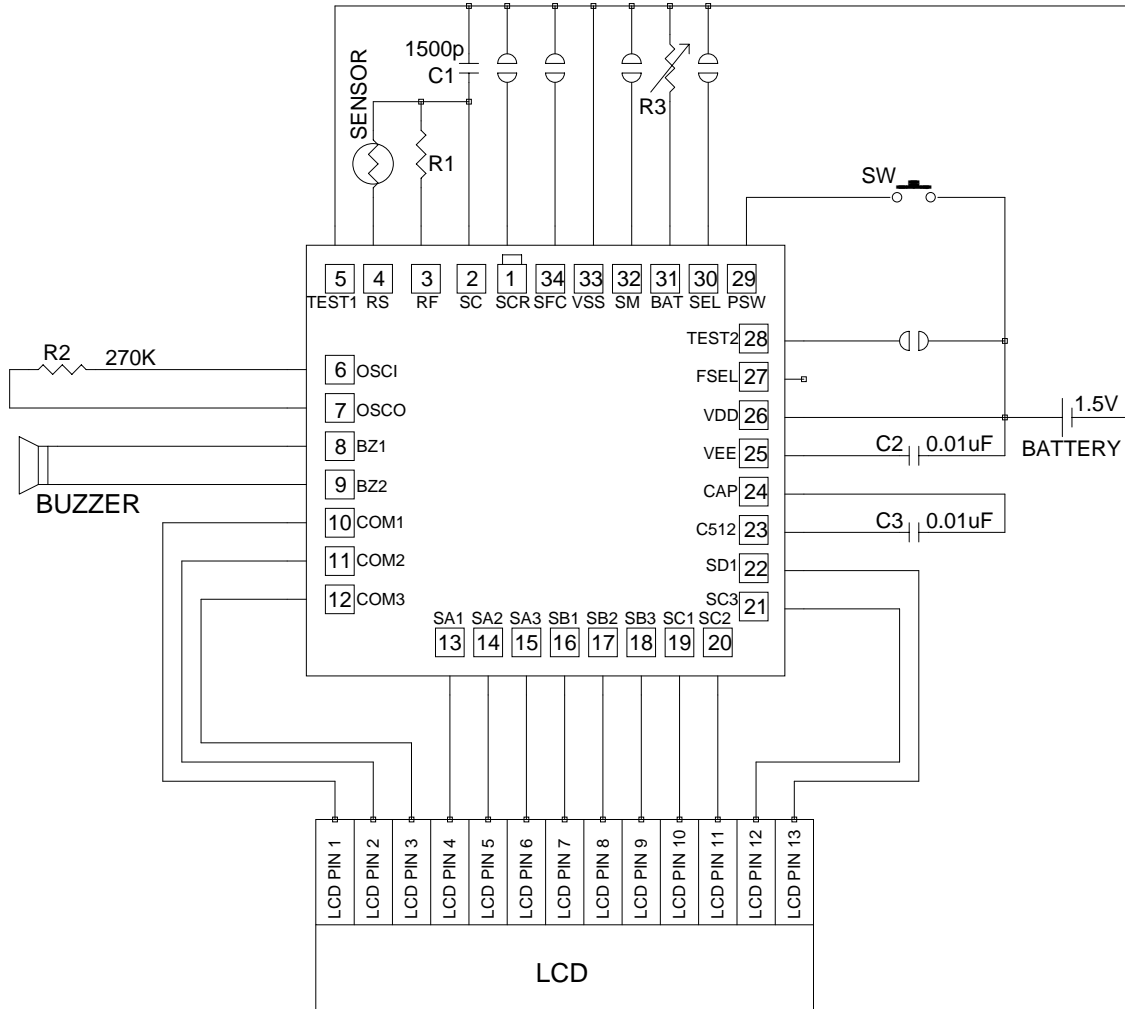


## BLOCK DIAGRAM



## APPLICATION CIRCUIT

### 1 FOR TC2156 MODE

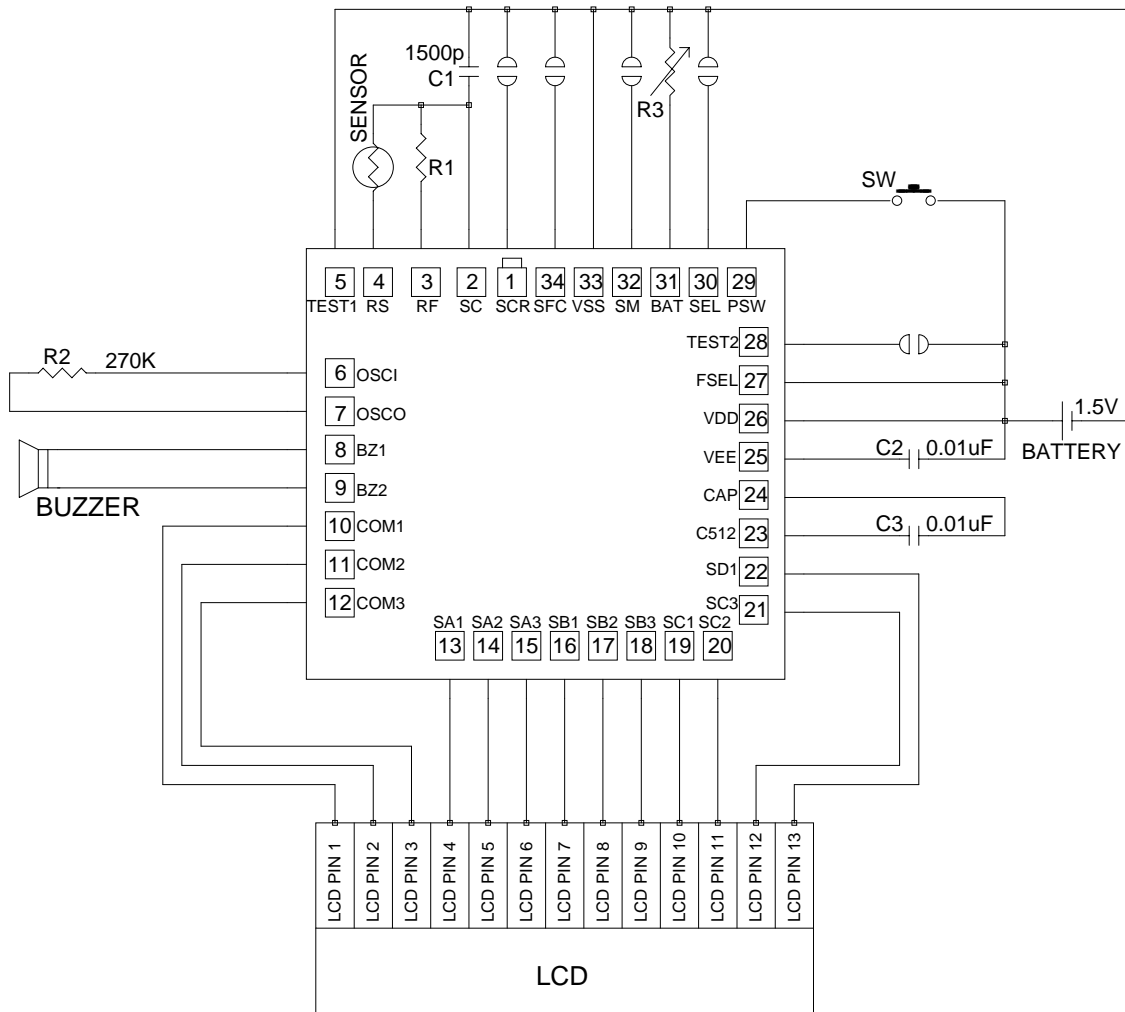


**REMARK:**

1. Sensor is use ET-503 sensor.
2. RF is selected according to sensor type.
3.

|         |           |           |
|---------|-----------|-----------|
|         | NC        | VSS       |
| SFC pad | °C        | °F        |
| SEL pad | LCD-1 (■) | LCD-2 (M) |
4. SCR pad NC=>The frequency of buzzer is 5.3KHz.  
SCR pad connect to VSS and SM pad NC => The frequency of buzzer is 6.4KHz.  
SCR pad connect to VSS and SM pad connect to VSS => The frequency of buzzer is 8KHz.
5. R3 VR range 60K<->150Kohm.  
The value of VR select by the low-voltage.

## 2 FOR TC4367 MODE



**REMARK:**

1. Sensor is use ET-503 sensor.
2. RF is selected according to sensor type.
3.

|         |        |           |
|---------|--------|-----------|
|         | NC     | VSS       |
| SFC pad | °C     | °F        |
| SM pad  | MEMORY | NO MEMORY |
4. SCR pad NC=>The frequency of buzzer is 4KHz.  
SCR pad connect to VSS and SEL pad NC => The frequency of buzzer is 6.4KHz.  
SCR pad connect to VSS and SEL pad connect to VSS => The frequency of buzzer is 8KHz.
5. R3 VR range 60K<->150Kohm.  
The value of VR select by the low-voltage.

深圳商斯达实业**专用电路与单片机部**是专业开发、设计、生产、代理、经销专用电路(ASIC)

和单片机配套产品,温度、湿度、语音、报警、计时、计步、测速、调光、游戏、新特优等专用芯片和模组;专用电路、微控制器、DSP、语音系统开发、设计、测试、仿真工具,为消费电子、通信、家电、防盗报警厂家提供专业服务。产品主要有:1、温度计电路、体温计电路、湿度计电路、时钟温湿度计电路、计时钟控电路、计步运动表电路、测速电路、调光电路、游戏电路、防盗报警电路、遥控电路、钟表电路、闪灯电路、计数电路、语音电路等专用芯片和模组,为三资企业、外贸出口企业提供完整配套服务;2、带LED闪烁电路、声效电路、玩具钢琴电路、音乐音效电路、灯串电路、风扇控制电路、计算器电路、万年历电路、汇率转换电路、玩具声光电路、遥控编解码电路、红外线遥控电路、无线遥控电路及配件、语音录放电路、圣诞灯电路、热释电控制器(人体感应)电路等专用芯片和配套模组。

欢迎来电洽购我司产品或索取免费详细资料、设计指南和光盘

商斯达射频微波光电产品网:[HTTP://www.rfoe.net/](http://www.rfoe.net/) 商斯达中国传感器科技信息网:

<http://www.sensor-ic.com/>

商斯达工控安防网: <http://www.pc-ps.net/>

商斯达电子元器件网: <http://www.sunstare.com/>

商斯达军工产品网: <http://www.Junpinic.com/>

商斯达消费电子产品网:<http://www.icasic.com/>

商斯达实业科技产品网:<http://www.sunstars.cn/>

地址:深圳市福田区福华路福庆街鸿图大厦1602室 E-MAIL: [szss20@163.com](mailto:szss20@163.com)

电话: 0755-83398389 83387030 83387016

传真: 0755-83376182 83338339 邮编: 518033 手机: (0)13902971329

E-MAIL:[xjr5@163.com](mailto:xjr5@163.com) MSN:[SUNS8888@hotmail.com](mailto:SUNS8888@hotmail.com) QQ: 195847376

技术支持: 0755-83394033 13501568376

深圳展销部:深圳华强北路赛格电子市场2583号 TEL/FAX: 0755-83665529 25059422

北京分公司:北京海淀区知春路132号中发电子大厦3097号 TEL: 010-81159046 82615020 13501189838 FAX: 010-62543996

上海分公司:上海市北京东路668号上海赛格电子市场地下一层D25号 TEL: 021-28311762 56703037 13701955389 FAX: 021-56703037

西安分公司:西安高新开发区20所(中国电子科技集团导航技术研究所) 西安劳动南路88号电子商城二楼D23号

TEL: 029-81022619 13072977981 FAX:029-88789382