

6 Digit 6 Function LCD Watch**FEATURES**

- ◆3V Lithium Battery Operation
- ◆Clock with Month, Date, Hour, Minute, Second, Weekday
- ◆Alarm & Hourly chime
- ◆Alarm function with 4 to 5 minutes snooze
- ◆Sport Timer(1/100Sec)
- ◆12H/24H cycle Selectable & 4 year calendar
- ◆Very Low Power Dissipation
- ◆Direct drive of piezo buzzer
- ◆Speaker drive by build in transistor
- ◆Debounce circuit on switch input
- ◆Built - in RGB colour Driver

特点

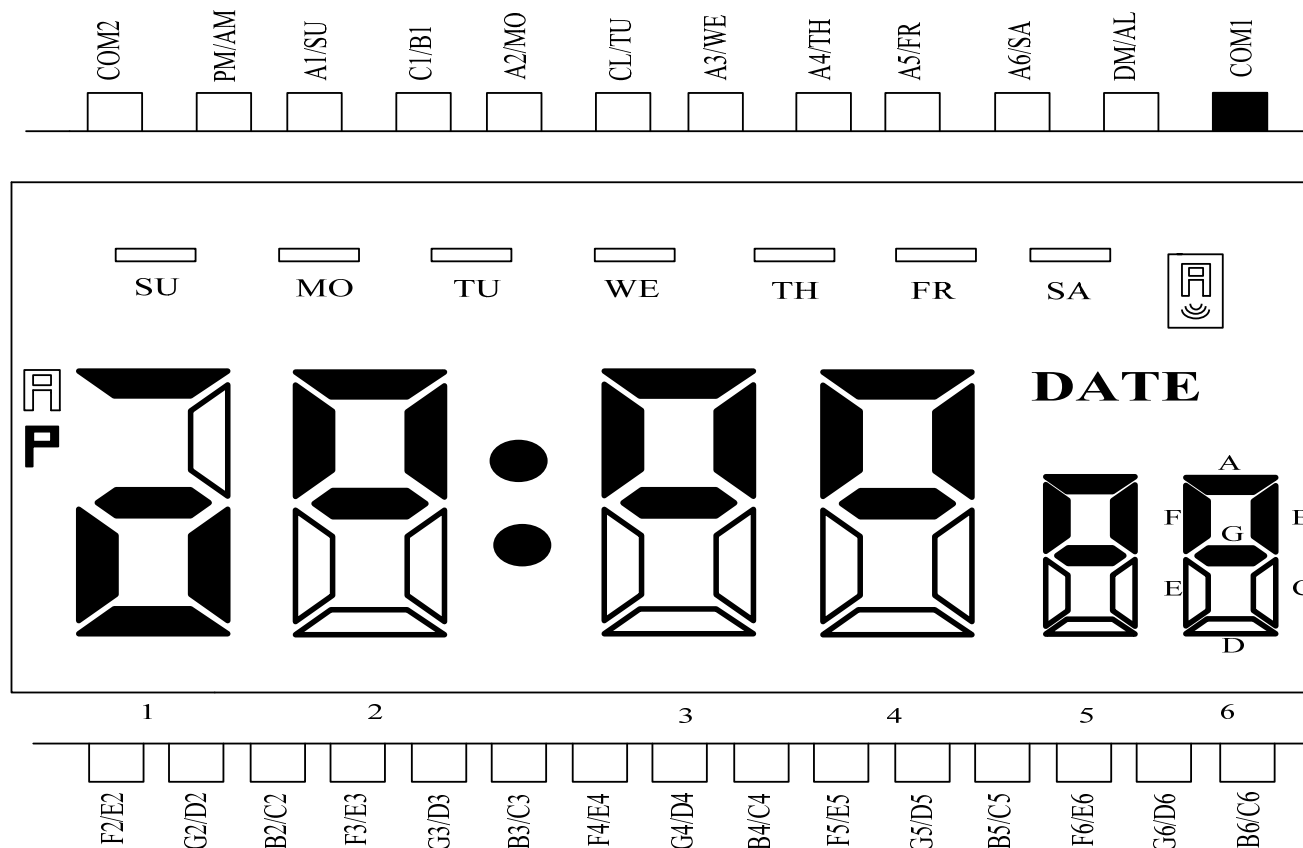
- ◆3V 锂电池供电
- ◆可显示月、日、时、分、秒、星期
- ◆响闹、整点响闹功能
- ◆具有4~5分钟再闹功能
- ◆秒表计时
- ◆可选12/24小时制,4年日历
- ◆低功耗
- ◆可直接驱动压电蜂鸣片
- ◆内置三极管驱动闹铃输出
- ◆开关输入防弹跳
- ◆内建七彩背光驱动

ELECTRICAL CHARACTERISTICS**电气特性**

Characteristics		Sym	Min	Typ	Max	Unit	Remarks
Operating Voltage	工作电压	VDD	2.0	3.0	3.6	V	-
Quiescent Current	静态电流	ISB	-	1	3	uA	No Load
Operating Current	工作电流	IOP	-	6	9	mA	EL
Input High Voltage	输入高电压	VIH	VDD-0.3	-	VDD	V	-
Input Low Voltage	输入低电压	VIL	VSS	-	VSS+0.3	V	-
Oscillating Start Voltage	振荡起振电压	VOsc	1.2	1.5		V	With in 1 seconds
Switch Activation Current	按键开关电流	ISW	-	-	4	uA	VIN=VDD
Alarm Drive Current	闹钟驱动电流	IALA	5	10	-	mA	VALA=0.5v
Oscillation Frequency	振荡频率	FOSC	-	32768	-	Hz	-
LCD Frequency	LCD 频率	FLCD	-	32	-	Hz	-
Time Stability	时间稳定度	TSTB	-	1	-	ppm	VDD=1.5v
Output Current for IND.DIS	输出电流	To	1	-	-	mA	V0=0.5v

6 Digit 6 Function LCD Watch

LCD字形显示

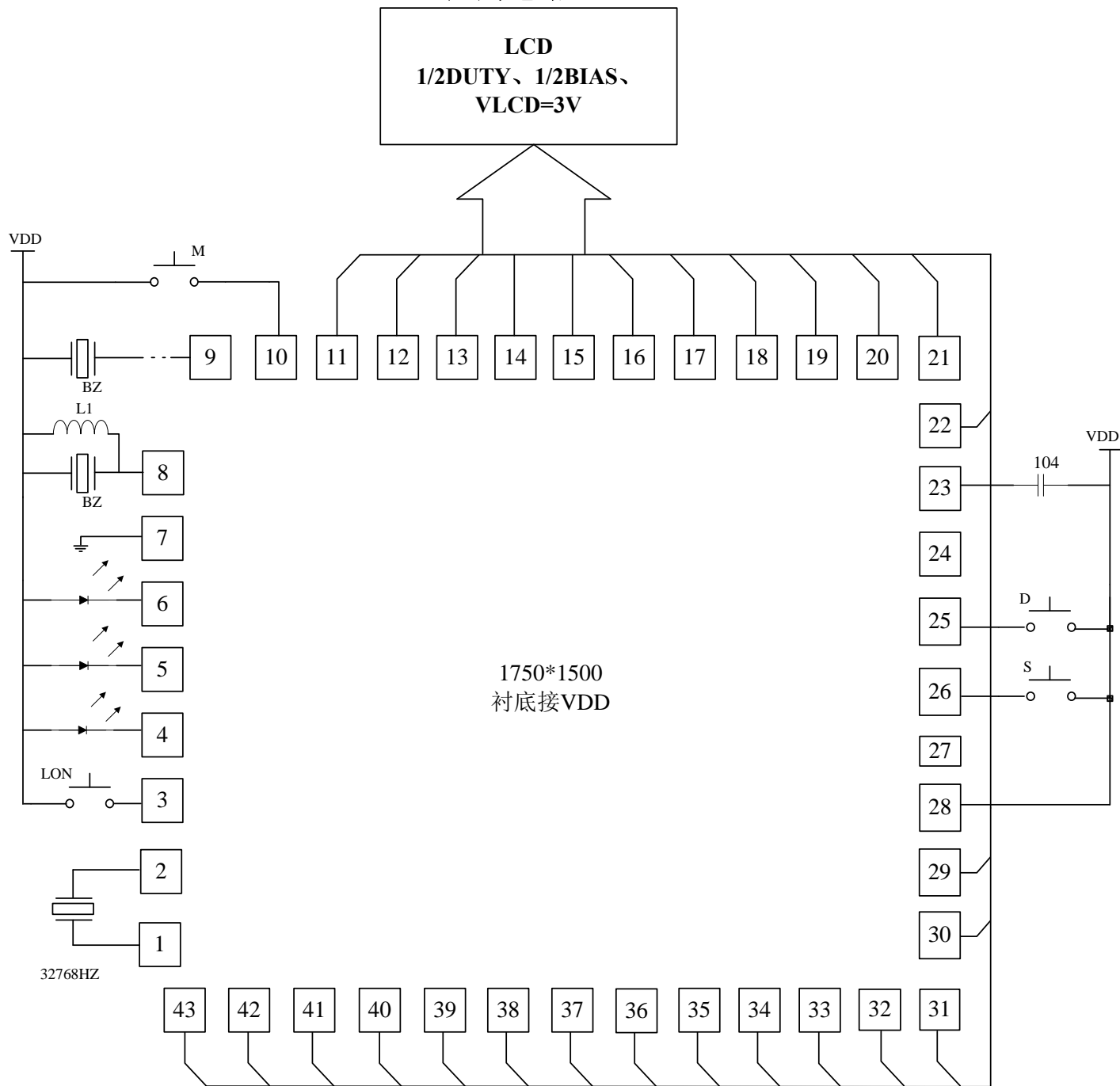


PAD DIAGRAM 脚位图

pad No	Name	Pad No	Name	Pad No	Name	Pad No	Name
1	XI	12	PM_AM	23	VSS	34	F5/E5
2	XO	13	A1SUN	24	AC	35	B4/C4
3	LON	14	C1B1	25	D	36	G4/D4
4	RL	15	A2MON	26	S	37	F4/E4
5	GL	16	CL_TUE	27	T1	38	B3/C3
6	BL	17	A3WED	28	VDD	39	G3/D3
7	GND	18	A4THU	29	B6C6	40	F3/E3
8	ALB	19	A5FRI	30	G6D6	41	B2/C2
9	ALA	20	A6SAT	31	F6/E6	42	G2/D2
10	M	21	DIE_AL	32	B5/C5	43	F2/E2
11	COM2	22	COM1	33	G5/D5		

6 Digit 6 Function LCD Watch

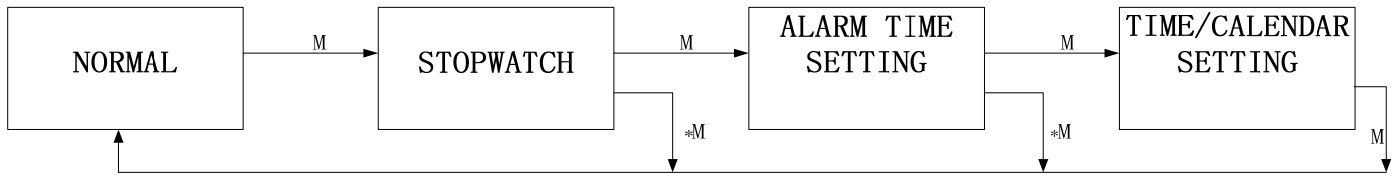
RECOMMEND APPLICATION 应用电路



备注：1) 8脚为大声闹响输出口，9脚为小声闹响输出口，只能选用其中之一。
2) 电感L1为20mH左右，内阻约200Ω。

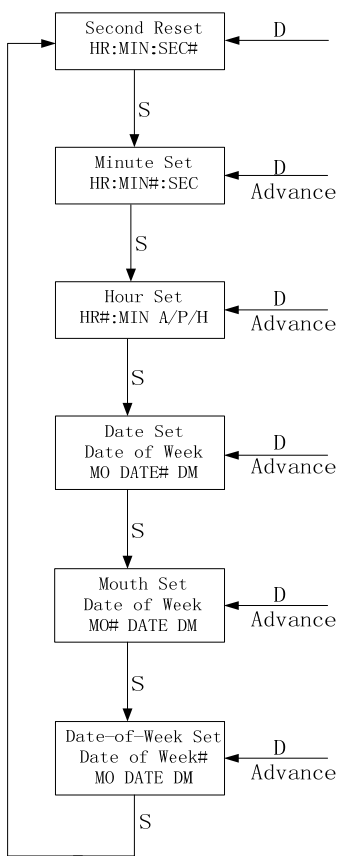
6 Digit 6 Function LCD Watch

SETTING SEQUENCE AND SWITCH OPERATION



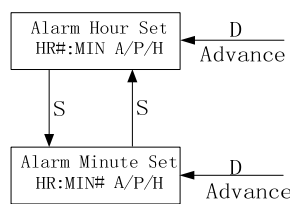
* When D or S is used in the stopwatch mode or the alarm time setting mode. The normal mode is obtained by depressing M.

TIME/CALENDAR SETTING



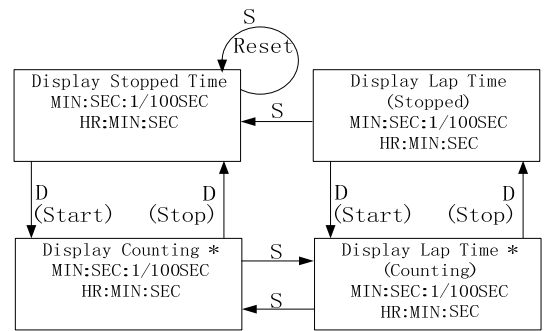
Flashing at 2 Hz rate

ALARM TIME SETTING



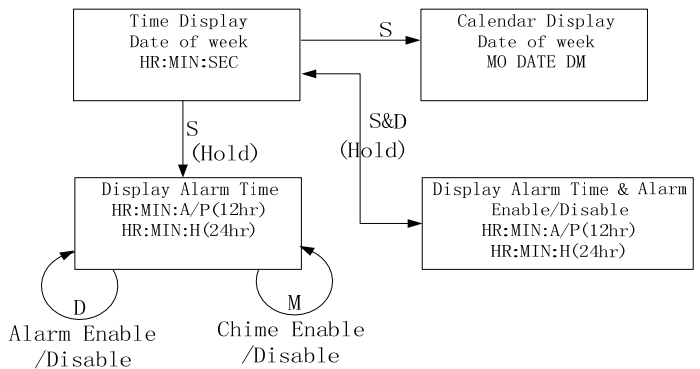
* 12Hr mode or 24Hr mode is selected alternately on every 24-Hour cycle during hour advance

STOPWATCH



* Colon flashes at 1 HZ rate when the stopwatch is running

NORMAL MODE



- * DM denotes date-mark
- * Alarm-mark appears in any mode when the alarm is enabled
- * All day-of-week mark appear when the chime is enabled
- * During Alarm , press
 - S:alarm and snooze stop
 - D:alarm stop and restart after 4~5 min