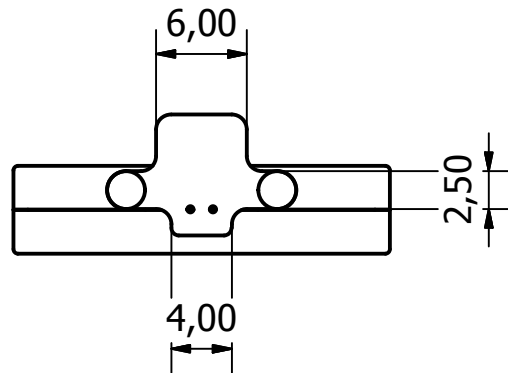


(2 : 1)



Designed by JJ King	Checked by	Approved by	Date	Date 18/02/2009	
Dart Sensors Ltd.			DS11SQ-D-USW		
			Edition	Sheet 1 / 1	