

Digibar II: PE300, PE350

Digital pressure gage



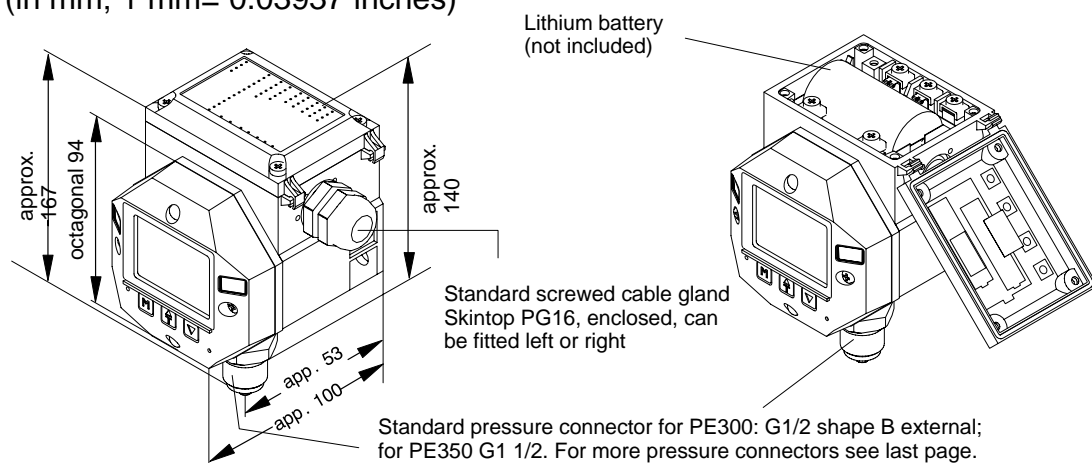
PE300

PE350

Special features

- Operated as manometer with battery operation and
- Operated as pressure measurement transmitter with 4–20 mA current output, freely adjustable
- Clear multi-function display, exact and fast reading of the pressure on the spot
- Operating voltage failure-proof storage of settings in EEPROM
- Limit-relay motherboard, (option), (double-throw contacts, fail-safe)
- Explosion-proof version PE300

Dimensions (in mm; 1 mm= 0.03937 inches)



Reasonably priced, standard version available from stock PE300: G1/2 external pressure connector PE350: G 1 1/2 front membrane	Nominal measuring range, 0bar...		Short order code
	PE350	100 mbar 400 mbar 1 bar 4 bar	1-PE350A1/100M 1-PE350A1/400M 1-PE350A/001B 1-PE350A1/004B
PE300	10 bar 20 bar 50 bar 100 bar 200 bar 500 bar	1-PE300A1/010B 1-PE300A1/020B 1-PE300A1/050B 1-PE300A1/100B 1-PE300A1/200B 1-PE300A1/500B	

Specifications (in accordance with DIN 16086)

Equipment family		Digibar II														
Type		1-PE350A1/...; K-PE350...				1-PE300A1/...; K-PE300....										
Class of accuracy		0.2				0.3										
Class of accuracy increased as option Accuracy of K-PE300...		-				0.2		0.15								
Mechanical input characteristics																
Nominal measuring range (gage pressure), 0 bar...		bar	0.1	0.4	4	1	10	20	50	100	200	500	1000	2000		
Fundamental resonance frequency of the membrane approx.		kHz	10				12	16	23	45	65	85	> 100			
Attenuation of the membrane		1	-				< 0.02									
Operating range		%	-4 ... +103			-108.. +106	-10 ... +110									
Overload cutoff		%	-300.. +4000	-250.. +1500	-30..+ 600	-120.. +1000	200									150
Test pressure		%	200				200									150
Destructive range		%	-300.. +4000	-250.. +1500	-30..+ 600	-120.. +1000	> 200									>150
With dynamic loading permitted pressure		%	100				100									
perm. oscill. bandwidth (acc.DIN 50 100)		%	100				100			70	50	25				
Material of parts in contact with measurement medium			stainless steel : 1.4301;aluminium oxide ceramic; fluorocautchouc				stainless steel : 1.4542; 1.4301									
Device with membrane seal flush with front: (flat seal 55x48x2)			Fibres (bound with NBR); suitable for oils, water, fuels, acids, foods, etc.													
Dead volume		mm ³	1500 (front membrane diameter 25 mm/ 3.2 mm deep)				1000			1300						
Control volume		mm ³	negligible				1.5			1.0						
Output characteristics																
Resolution of the digital display (max.); adj. in steps		d	99999													
Output voltage Nom. value		mA	4 - 20 or 0 - 20				4 - 20 or 0 - 20									
Range (2-wire)		mA	approx. 3.6...21.6				approx. 3.6...21.6									
(3-wire)		mA	approx. 0...21.6				approx. 0...21.6									
allocation between current output and measured value (meas. range) meaningful			freely adjustable 1:5				freely adjustable 1:5									
Output range, tolerances Display		-	± 0.2 %													
Current output with 500 Ohm burden		mA	16 or 20 ± 0.2 %													
Influence of the 0...1000 Ohm burden with "0...20 mA" device		µA	max. ± 60 (rel. to value at 500 Ohm)													
Factory settings Two-wire/three-wire relay			0 Bar = 4 mA				0 Bar = 0 mA									
Three-wire relay																
Zero signal compensation range Shifting the zero signal of the display		%	± 5		± 10	± 5										
		%	-4...+103			-108.. +106	-10...+110									
Temperature coefficient of the zero signal by ref. to the nom. meas. range per 10K		%	< ± 0.2				typically < ± 0.3 (max. ± 0.5)									
with option "increased accur." per 10 K		%	-				typically ± 0.1 (max. ± 0.2)									
Temperature coefficient of the output voltage by reference to the actual value per 10 K		%	< ± 0.2				+0.2 ± 0.1									
to the actual value per 10 K (for "increased accuracy" option)		%	-				± 0.1									
Characteristic curve deviation, origin setting with "increased accuracy" option		%	< ± 0.2				< ± 0.3									
		%	-				<0,2	typically ± 0.1 (max. ± 0.15)								
Tolerance of the zero signal		%	< ± 0.5				< ± 0.5									
Tolerance of the output voltage with "increased accuracy" option		%	-				< ± 0.3									
		%	-				typically ± 0.15 (max. ± 0.2)									
Hysteresis		%	0.05				typically ± 0.05; max. ± 0.1									

Specifications (continued)

Repeat standard deviation	%	< ± 0.05		
Greatest meas. frequ. at current output	Hz	approx. 1.3		
Display rate , transmitter operation	1/s	4		
Display rate , battery operation	1/s	1		
Display rate , battery operation (ECO)	1/min	6		
Response time of "MIN/MAX" value store and bar graph		0.5 (max.) typically 0.25		
Transmitter operation	s	1 (max.)		
Battery operation	s	10 (max.)		
Battery operation (ECO)	s	10 (max.)		
Limit values		2		
Number of limit value switches		2		
Range of adjustment of limit values	%	-4...+103	-108...+106	-10...+110
Range of adjustment of hysteresis	%	0...107	0...214	0...120
Limit relay (relay board option, K-PE300...)		PE350	PE300	PE300 Ex
Response time of relay	s	0.25		
Release time of relay	s	0.25		
Type of contact		no-potential changeover switch, enabled/disabled state switchable		
Maximum switching voltage		230 V _{eff}		30 V
Maximum current		2 A		1 A
Internal effective capacitance/inductance		-		negligible
Supply energy		PE350	PE300	PE300 Ex
Supply voltage , rated range for transmitter operation	V	9 - 30 V	8 - 30 V	13 - 24 V
Max. current consumption (start-up current)	mA	30 (without relay)	30 (without relay)	-
Max. current consumption when operated with relay board	mA	125	125	-
Rated voltage , battery operation		3.6	3.6	only permissible with intrinsic. safe battery
Supply voltage range , battery operation	V	2.7...3.8	2.6...3.8	only permissible with intrinsic. safe battery
Recommended battery type		lithium battery 3.6 V, 13.5Ah Size D		intrinsic. safe lithium battery 2-9289.1768
Alternative battery operation		2x round 1.5 V; Size AA		-
Battery life (continuous operation)		> 9 months	> 1 year	> 1 year
Battery life (continuous operation, ECO)		> 18 months	> 2 years	> 2 years
Battery life , with 2 x 1.5 V round batteries (alkaline), uninterrupted		> 3 weeks	> 4 weeks	-
Ambient conditions				
Rated temperature range	°C [°F]	-20...+70 [-4...158]		
LCD function	°C [°F]	-10...+60 [+14...140]		
Operating temperature range	°C [°F]	-25...+70 [-13...158]		
Storage temperature range	°C [°F]	-40...+70 [-40...158]		
Max. mean temperature for cooling by ambient temperature (< 60°C [140°F])	°C [°F]	125 [257]	110 [230]	
Reference temperature	°C [°F]	23 [73.4]	23 [73.4]	
Impact resist. (type app. in acc. with DIN IEC 68)		< 650		
Impact acceleration	m/s ²	< 150		
Vibration acceleration (frequency 10 Hz – 100 Hz)	m/s ²	< 40		
Vibration acceleration, function of relay	m/s ²	< 40		
EMC				
Immunity from interference		EN50082-2		
Noise emission		EN50011, EN50022 class B		
Measuring deviation	%	≤ 0.5		
Protection system in acc. with DIN 40 050, IEC 529		IP65		
Material of parts in contact with the environment		aluminum - polyester-coated; polyamide 6.6; high-grade steel 1.4301; steel, galvanized; nickel-plated brass; fluorocaoutchouc; silicone rubber		
Installation position		any		
Weight approx.	g	900	700	

Accessories (included): Skintop PG16 screwed cable gland, battery contact springs (not PE300Ex), gaskets

Accessories PE300 (available to order): lithium battery 3.6 V 13.5 Ah Order no. 3-3319.0009
power supply unit Order no. 3-3318.0002
power pack for rail mounting 230 V, 50 - 60 Hz / 15V=650 mA Order no. 1-NT101A
bracket for rail mounting Order no. 2-9289.1713

Also for PE300EX:

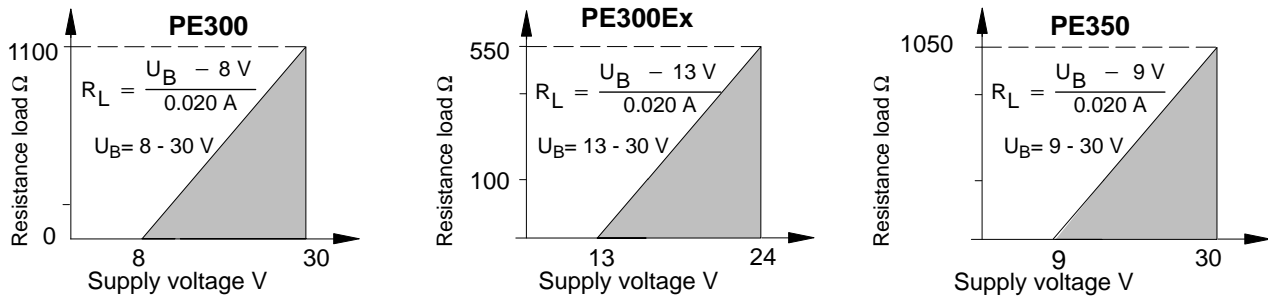
intrinsically safe lithium battery 3.6 V 13.5 Ah
Galvanically isolated analog transmitter
only for option 3, code I4N

Order no. 2-9289.1768

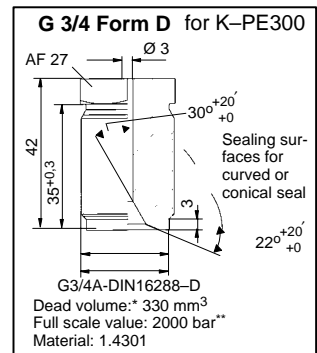
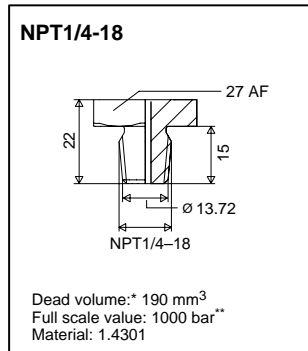
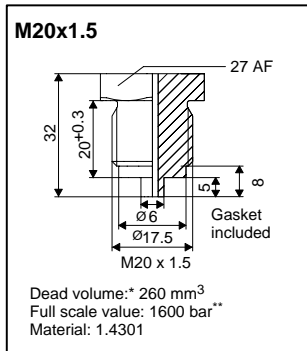
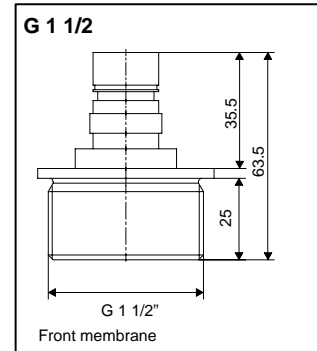
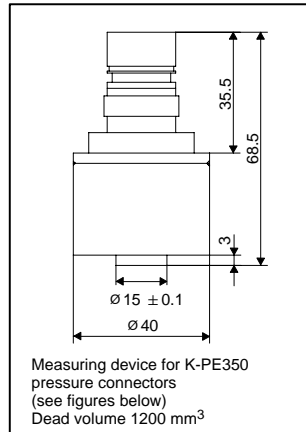
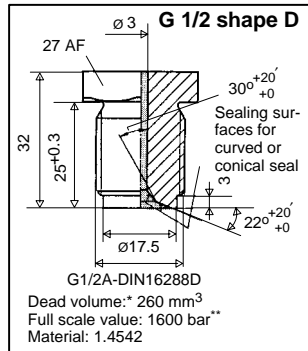
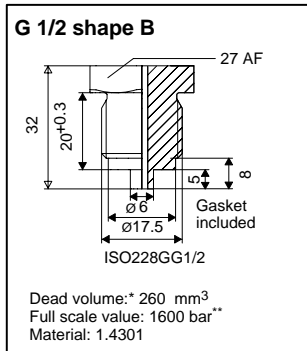
Order no. 3-3318.0023

Galvanically isolated analog transmitter				
Rated voltage	V	DC 20 - 35		
Power consumption: KFD2-CR-Ex1.20.300	W	approx. 1.7		
Voltage U_0 (maximum)	V	20		
Current I_0 (maximum)	mA	93 (2-wire) or 115 mA (3-wire)		
Output P_0 (maximum)	mW	660 (2-wire) or 683 mW (3-wire)		
Type of protection, category [EEx ia]				
Explosion class	-	IIA	IIB	IIC
External capacitance	μF	2.4	0.9	0.3
External inductance	mH	21.6	8.1	2.7
Outputs (not intrinsically safe)				
Available voltage	V	DC 25		
Resistance	$\text{k}\Omega$	1		
Ripple	μA_{SS}	20		

Working resistances of current output:



Available pressure connectors for the K-PE300 and K-PE350



* add dead volume of connecting unit to the dead volume of the measuring device
** specifications in accordance with DIN 16 288

Modifications reserved.
All details describe our products in general form only. They are not to be understood as express warranty and do not constitute any liability whatsoever.

Hottinger Baldwin Messtechnik GmbH

Postfach 10 01 51, D-64201 Darmstadt
Im Tiefen See 45, D-64293 Darmstadt
Tel.: +49/61 51/ 8 03-0; Fax: +49/61 51/ 8039100
E-mail: support@hbm.com www.hbm.com

