

WE2107M

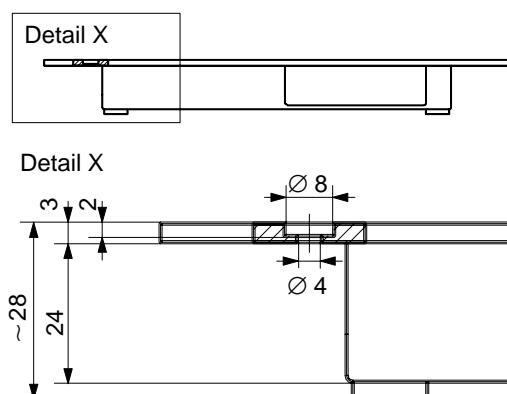
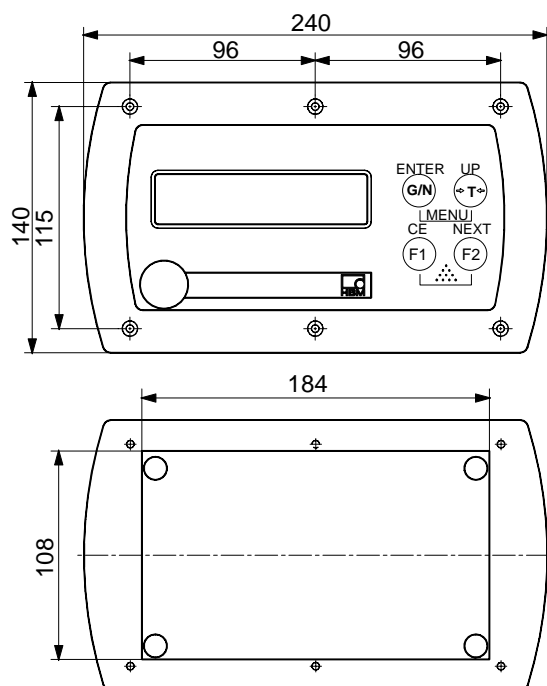
Stainless steel weighing indicator (NAWI)

Special features

- OIML test report up to 6000 d
- Use as single-, dual- or triple-range balance
- Four limit value switches with hysteresis
- RS-485-interface
- Two digital control inputs
- Four digital outputs (limit value switches or filling and batching control)
- Degree of protection IP65



Dimensions (in mm; 1 mm= 0.03937 inches)



Specifications

Type	WE2107M	
Max. number of scale intervals accord. to OIML R76 (class III, IIII)	d = e	6000; Multi-range
Multi-range applications	d = e	2x3000: 3x2000
Input sensitivity	$\mu\text{V/e}$	≥ 0.6
Measuring range	mV/V	± 2 ; max. ± 3.2
Min. input resistance of the load cell	Ω	60
Max. input resistance of the load cell	Ω	4000
Load cell excitation voltage	V_{DC}	5
Cable length between WE2107 and load cell(s)	m	max. 100
Measuring rate	Meas./s	200
Filter, adjustable, FMD0	Cut-off frequency (-3 dB)	0.0625 0.125 0.25 0.5 1 2 4 8 25
	Transient respond time	16000 8000 4000 2000 1000 500 250 125 80
	FMD1	2 2.5 3 4 5 6 7 8 10
	Cut-off frequency (-3 dB)	
	Transient respond time	566 450 380 310 240 170 160 150 140
Power supply without analog output connected	V_{DC}	12 ... 30; 24 nominal
Power supply with analog output connected	V_{DC}	18 ... 30; 24 nominal
Power consumption (incl. Display lighting)	W	6
Display		LCD with back-lighting
Height of display	mm	20
Status symbols		Zero, Net, Motion, Unit, Range
Keys		Foil keyboard (tactile feedback)
Number of digital inputs		2
Input voltage IN1/2, Low	V	0 ... 1.0
Input voltage IN1/2, High	V	3 ... 30
Input resistance	k Ω	10
Number of digital outputs (High side switch)	V	4
max. output current/output	A	0.6
Power supply, outputs	V	12 ... 30; 24 nominal
Serial interface (COM1)		RS-485
Baud-rate, adjustable	Bd	1200 ... 38400
Serial interface functions (COM2)		Print, serial display (autom. output), PC-connection via RS-232
Analog output	mA	4 ... 20
Burden	Ω	100 ... 500
Resolution	μA	15.6
Nominal temperature range	$^{\circ}\text{C}$ [$^{\circ}\text{F}$]	-10 ... +50 (+40*) [14 ... 104 (104*)]
Operating temperature range	$^{\circ}\text{C}$ [$^{\circ}\text{F}$]	-20 ... +60 [14 ... 140]
Storage temperature range	$^{\circ}\text{C}$ [$^{\circ}\text{F}$]	-40 ... +85 [-22 ... 158]
Weight, approx.	kg	1
Degree of protection per EN 60 529 (IEC 529)		IP65 (only front plate)
Immunity level (EMC) accord. to EN 45501 (3 V/m)		additional tested up to 10 V/m
Housing material		Stainless steel (only front plate)

* according to OIML, legal for trade

Order no.: 1-WE2107M-SS-1

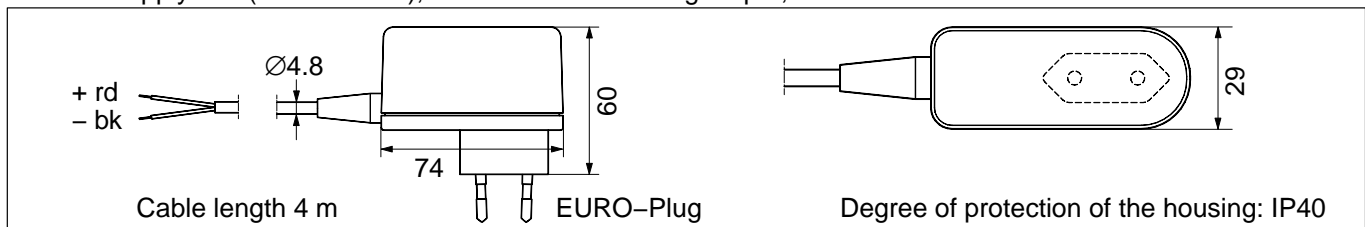
Accessories

Included in the scope of supply:

- CD-ROM with WE2107-Panel-Software, Communication Protocol for PC and documentation

To be ordered separately:

- Power supply unit (100 ... 240 V), not for use with analog output, Order no. 1-AC/DC15V/550mA



Modifications reserved.

All details describe our products in general form only. They are not to be understood as express warranty and do not constitute any liability whatsoever.

Hottinger Baldwin Messtechnik GmbH

Im Tiefen See 45, D-64293 Darmstadt, Germany

Tel.: +49 6151 803-0 Fax: +49 6151 803 9100

Email: support@hbm.com Internet: www.hbm.com



measurement with confidence