



Digital Microwave Moisture Measurement Systems for Online Process Control

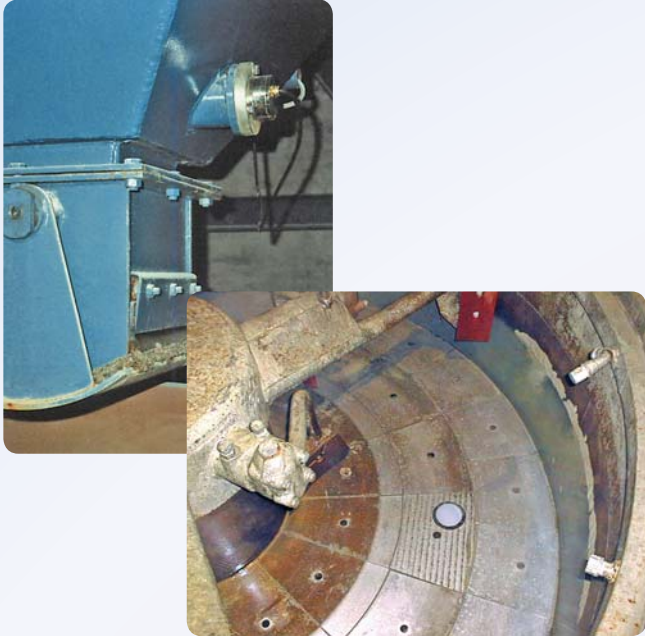
# Product Range



THE ORIGINAL – THE LEADERS – THE BEST

# Microwave Moisture Measurement

*Hydronix is the world's leading manufacturer and supplier of digital microwave technology for online moisture measurement. With over 50,000 systems installed worldwide Hydronix has a proven track record for delivering high quality products that are built to last. Our unique digital technique ensures that Hydronix sensors continue to be the most accurate, reliable and easiest to use microwave sensors available.*



## **Why Measure Moisture?**

- Control moisture content in finished product.
- Control raw material proportioning.
- Improve quality and consistency.
- Reduce the amount of waste or spoiled products.
- Reduce energy costs.
- Use raw materials and additives more efficiently.
- Reduce material costs and increase yield.

All Hydronix microwave moisture sensors are designed to be rugged and durable and will last for many years even in the harshest environment. Measuring at 25 times per second and with on-board functionality such as signal processing and averaging, Hydronix sensors accurately measure the moisture content of material as it passes over the ceramic face plate. Remote configuration, calibration, diagnostics and firmware upgrades are simple using Hydronix Hydro-Com software.

## **Features of Hydronix Sensors**

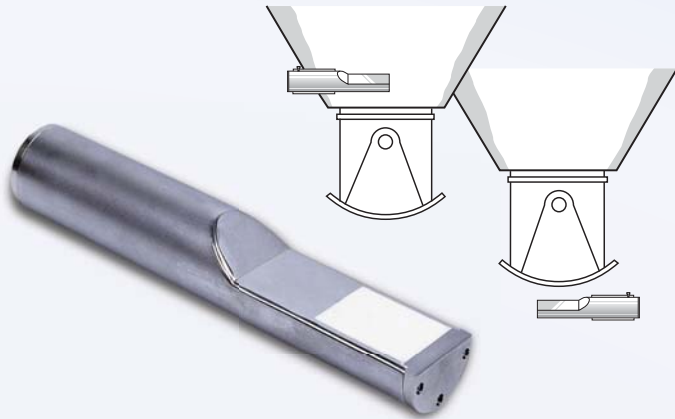
- Digital measurement technology provides a precise linear output.
- Consistent performance with no need for recalibration except for use with different materials.
- Fully temperature stable.
- Fast response to changing conditions.
- Remote communication with Hydro-Com software for configuration and firmware upgrades.
- Easy integration into existing control systems.
- Simple to install, operate and calibrate.
- Configurable digital inputs and outputs.
- Interface options include RS232, RS485, Ethernet, USB and analogue.



# Moisture Sensors

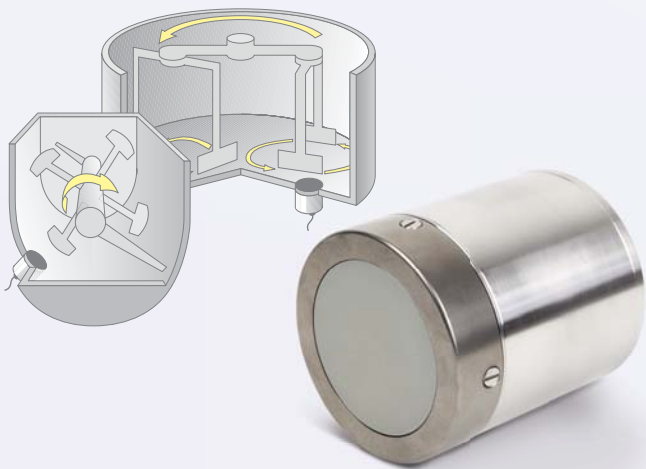
## Hydro-Probe

Sensor for Bins, Silos, Hoppers and Conveyors. Easy to install with many fixing options.



## Hydro-Mix

Flush mount sensor for Mixers, Chutes and Screw Conveyors. Easily replaceable ceramic face plate.



# Temperature Sensor

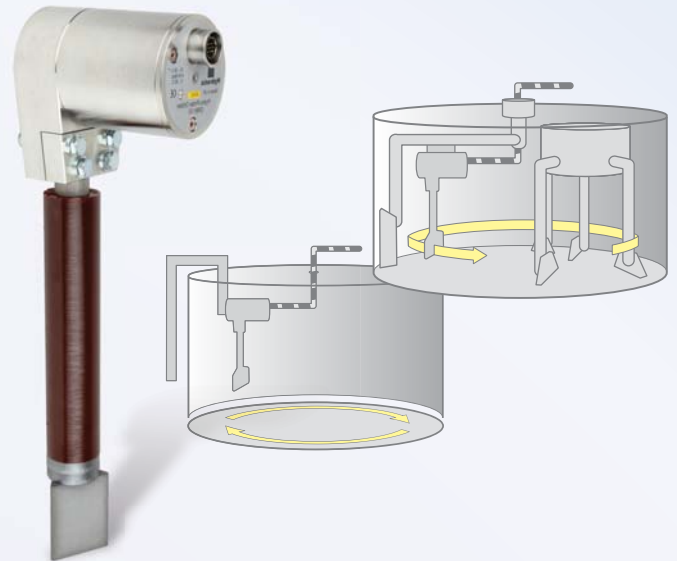
## Thermo-Tuff

Rapid response, high precision, linear temperature sensor for high wear environments such as mixers and aggregate bins.



## Hydro-Probe Orbiter

Sensor for Rotating Pan, Planetary and Static Mixers. Moves through the mix providing a fast response to water addition.



# Water Control System

## Hydro-Control

Water control system that communicates with Hydronix sensors and directly controls water valves.



## Why Choose Hydronix?

Hydronix is committed to providing you with excellent customer service and technical support. With over 30 years experience in microwave moisture measurement and with a team of specialist engineers and field support staff, you know that with a Hydronix product you will be purchasing the best equipment and support available. Hydronix has a network of experienced resellers throughout the world that can provide training, installation, advice and support. This is reinforced by our website which contains a library of high quality product documentation in multiple languages, all available for download.

- Unique digital technology allows higher accuracy, easy swapping of sensors and automatic temperature compensation.
- Consistent sensor performance with no need to recalibrate except for use in different materials.
- Linear, precise and repeatable measurement.
- Hydronix sensors integrate easily with any control system.
- Rugged construction ensures the units will perform reliably for many years.
- Flexible installation to suit a wide range of applications.
- 2 year Standard Warranty with 4 year warranty option available.
- Worldwide technical support and documentation in many languages.

## Interfaces

RS485, RS232, USB and Ethernet connections for sensor configuration and firmware upgrades.

## Software

Hydro-Com sensor configuration and calibration software.



## Moisture Displays

Stand alone, configurable moisture displays.



## Cables and Accessories

A full range of cables, clamp rings, mounting sleeves and accessories are available.



## Hydronix

### Head Office - United Kingdom:

Tel: +44 (0)1483 468900

Fax: +44 (0)1483 468919

Email: [enquiries@hydronix.com](mailto:enquiries@hydronix.com)

### Central Europe & Southern Africa:

Tel: + 49 2563 4858

### France:

Tel: + 33 (0) 970 468 909

### Americas, Spain & Portugal:

Tel: 888-887-4884 (toll free)

or +1 231-439-5000

[www.hydronix.com](http://www.hydronix.com)