



FS5

Thermal Mass Flow Sensor

Optimal for various gas flow applications

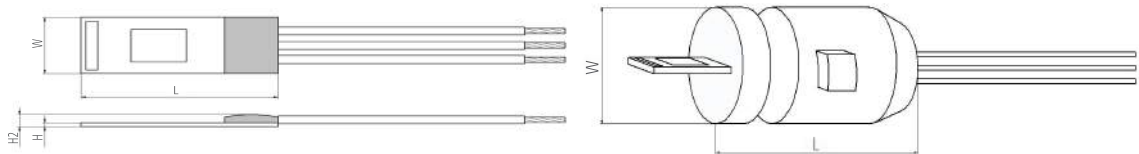


INNOVATIVE SENSOR TECHNOLOGY

Benefits & Characteristics

- Easy adaptation in various applications and housings
- Simple signal processing
- Simple calibration
- No moving mechanical parts
- Excellent reproducibility
- Excellent long-term stability
- Bare sensor element resists up to +450 °C (customer specific)
- Stable platinum technology
- Customer specific sensor available upon request

Illustration¹⁾



1) For actual size, see dimensions

Technical Data

Dimensions (L x W x H / H2 in mm):*	6.9 x 2.4 x 0.20 / 0.60 / Ø 6.0 , L = 14
Operating measuring range:	0 m/s to 100 m/s
Response sensitivity:	0.01 m/s
Accuracy:	< 3 % of the measured value (dependent on the electronics and calibration)
Response time t_{63} :	< 2 s
Operating temperature range:*	-20 °C to +150 °C
Temperature sensitivity:	< 0.1 %/K (dependent on the electronics)
Connection:*	3 pins, AWG 30/7, stranded wire, insulated with PTFE
Heater:*	$R_H(0\text{ °C}) = 45\ \Omega \pm 1\ %$
Reference element:*	$R_S(0\text{ °C}) = 1200\ \Omega \pm 1\ %$
Voltage range (nominal):*	2 V to 5 V (at $\Delta T = 30\text{ K}$ ($0\text{ m/s} \leq v_{\text{gas}} \leq 100\text{ m/s}$))
Maximum heater voltage:*	3 V (at 0 m/s)
Alternative construction:*	Moulded plastic housing

* Customer specific alternatives available



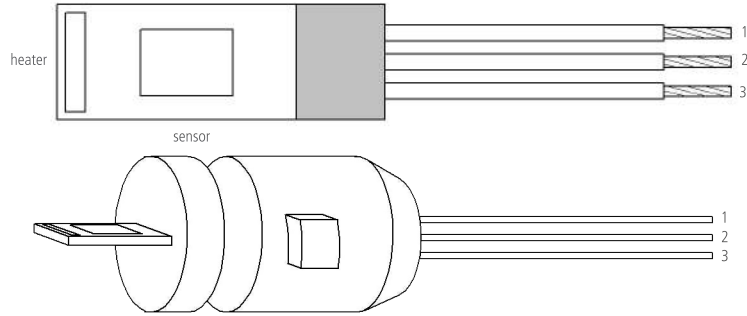
FS5 Thermal Mass Flow Sensor



INNOVATIVE SENSOR TECHNOLOGY

Optimal for various gas flow applications

Pin Assignment



1	2	3
heater	temperature sensor	GND

Order Information - 3 pins, stranded wire, AWG 30/7, PTFE insulated

Dimension (L x W x H in mm)	Without plastic housing	With plastic housing
6.9 x 2.4 x 0.20	FS5.0.1L.195	
Order code	050.00127	
Ø 6.0 (±0.1), L = 14 (±0.2)		FS5.A.1L.195
Order code		050.00128

Additional Electronics

Module:	Document name: DFFS5_FSL_Module_E
---------	--------------------------------------



INNOVATIVE SENSOR TECHNOLOGY

Innovative Sensor Technology IST AG, Stegrütistrasse 14, CH-9642 Ebnat-Kappel, Switzerland,
Phone: +41 (0) 71 992 01 00 | Fax: +41 (0) 71 992 01 99 | E-mail: info@ist-ag.com | Web: www.ist-ag.com



All mechanical dimensions are valid at 25 °C ambient temperature, if not differently indicated • All data except the mechanical dimensions only have information purposes and are not to be understood as assured characteristics • Technical changes without previous announcement as well as mistakes reserved • The information on this data sheet was examined carefully and will be accepted as correct; No liability in case of mistakes • Load with extreme values during a longer period can affect the reliability • The material contained herein may not be reproduced, adapted, merged, translated, stored, or used without the prior written consent of the copyright owner • Typing errors and mistakes reserved • Product specifications are subject to change without notice • All rights reserved