

Dual Axis Electrolytic Tilt Sensors ñ

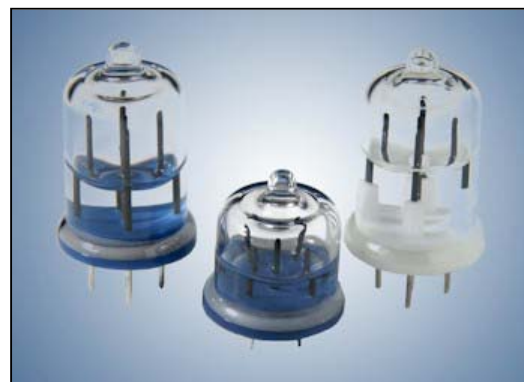
SP5000 and AU6000 Series

The SP5000 and AU6000 Series of Dual Axis Electrolytic Tilt Sensors afford unparalleled price, performance, quality, and exceptional reliability. These hermetically sealed sensors are produced in an automated environment, resulting in a high level of uniformity from sensor to sensor. Geared towards the OEM marketplace, they feature a PC board mountable design, no moving parts, and a symmetrical pin design which eliminates installation orientation concerns. A variety of models are available to fulfil all applications and budgets.

Applications

ï Automotive ï Industrial ï Aerospace ï Construction ï Medical

ï Agricultural ï Oceanographic ï Geophysical ï Architectural ï GPS



Characteristic	Model			
	SP 5000-A-000	SP 5020-A-000	SP 5003-A-000	AU 6004-A-001
Total Range (degrees)	+/-45	+/-60	+/-20	+/-70
Output (Vdc/arc second) *	0.13	0.10	0.26	0.11
Resolution (arc degrees)	0.02	0.01	0.005	0.05
Repeatability (arc degrees)	0.04	0.03	0.02	0.20
Symmetry @ 1/2 Scale (%)	5	5	5	50
Linearity - % @ 1/4 Scale	0.8	0.6	0.2	5
Linearity - % @ 1/2 Scale	3	4	1	15
Null Impedance (Kohms)				
+25 degC	3.4	2.2	3.1	3.0
+80 degC	1.7	5.1	1.6	5.1
-40 degC	13.0	7.8	11.0	50.0
Settling Time (mSec)				
+25 degC	160	240	270	2300
+80 degC	160	240	350	100
-40 degC	250	270	210	4000
Null Stability, 12 hrs @25 deg.C (arc deg's, typ.)	0.04	0.04	0.03	0.10
Cross Coupling (degrees)				
15 degrees	0.7	1.3	1.3	1.3
30 degrees	1.6	2.7	2.0	3.0
45 degrees	2.9	4.5	5.9	6.0
Bore Sight Error (degrees)	3.0	3.0	3.0	-
Temperature Range (degrees C)				
Operating	+80 to -40	+80 to -40	+80 to -40	+50 to -20
Storage	+125 to -55	+125 to -55	+125 to -55	+90 to -40
Temp Coefficient of Null (arc seconds/degC)	20	20	10	20
Temp. coefficient of Scale (%/deg.C, typ.)	0.10	0.06	0.10	0.05

* = Output levels derived using MUPI-2 Signal Conditioner.

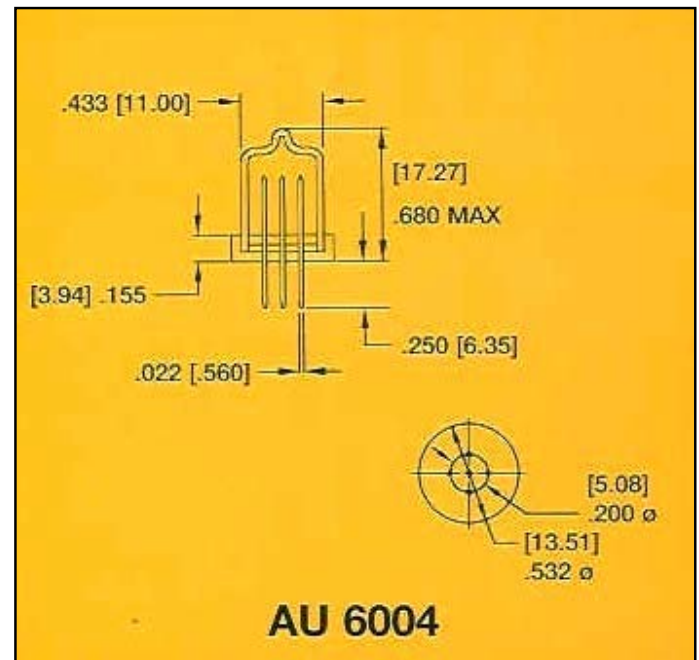
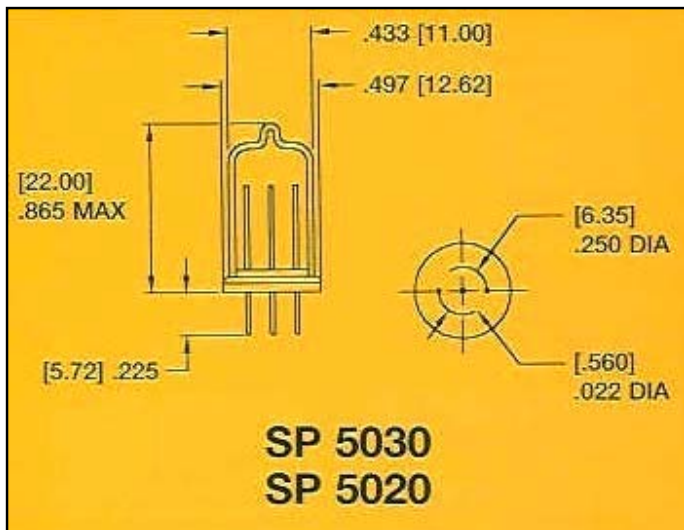
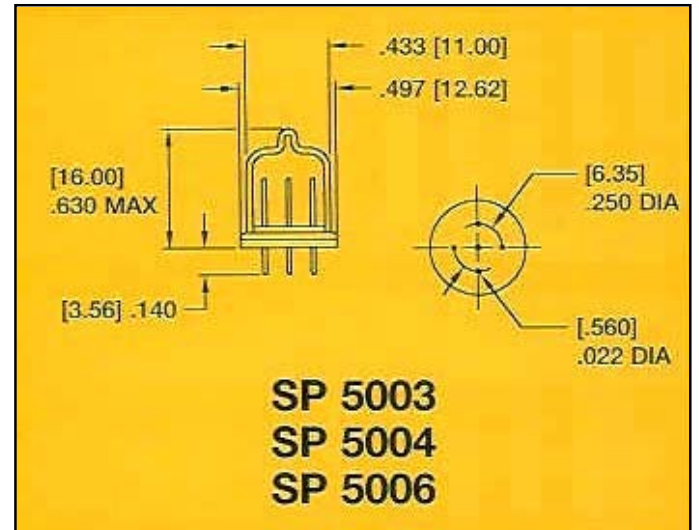
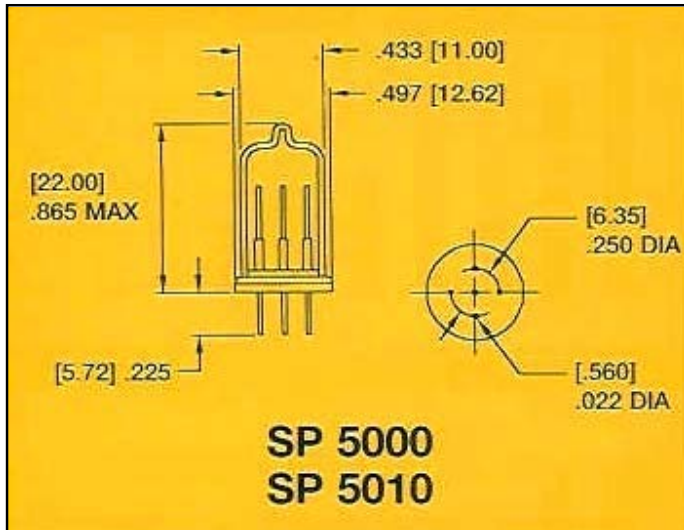
駿融企業有限公司 JIN ZON ENTERPRISE CO., LTD.
 104 台北市長安東路二段 171 號 4 樓之 3
 4F-3, No. 171, Sec. 2, Chang An E. Rd., Taipei, Taiwan, R. O. C.
 TEL: 886-2-27111093~5 FAX: 886-2-27310902
 E-mail: jinzon@ms2.hinet.net Http:// www.jinzon.com.tw/

Dual Axis Electrolytic Tilt Sensors ñ

SP5000 and AU6000 Series

non-corrosive. The conductivity and viscosity can be custom tailored to satisfy widely varied applications

Physical Dimensions inches (mm)



駿融企業有限公司 JIN ZON ENTERPRISE CO., LTD.

104 台北市長安東路二段 171 號 4 樓之 3

4F-3, No. 171, Sec. 2, Chang An E. Rd., Taipei, Taiwan, R. O. C.

TEL: 886-2-27111093~5

FAX: 886-2-27310902

E-mail: jinzon@ms2.hinet.net

Http:// www.jinzon.com.tw/