

# SGE PRECISION LEVEL

The **SGE Precision Level** is a hand held portable leveling instrument which incorporates Spectron's precision tilt sensor in a easy to use nulling device. Ideal for Lab use, it has a linear tilt range of 0.25 degrees and has five different display modes.

## Applications

**University and Commercial Labs, Machine shops, Construction sites**

## General Specifications

Input Voltage: 8-32V DC  
 Input Current: 130mA  
 Output: LCD Readout : 7.5 digits, depending on selected output

Display Outputs: ArcSec  
 Degrees  
 Radians  
 mm/m  
 % Slope

Accuracy: @ Null = 5 ArcSec (0.00138°)  
 0.0 -0.15° = 10 ArcSec (0.00277°)  
 0.16-0.25° = 20 ArcSec (0.00555°)

Repeatability: 5 ArcSec (0.00138°)  
 Resolution: 0.2 ArcSec (.000055°)  
 Total Range: 0.4 Degrees (1360 ArcSec)  
 Linear Range: 0.25 Degrees (900 ArcSec)  
 Power Up Time: 30 Sec  
 Response Time: 4 Sec

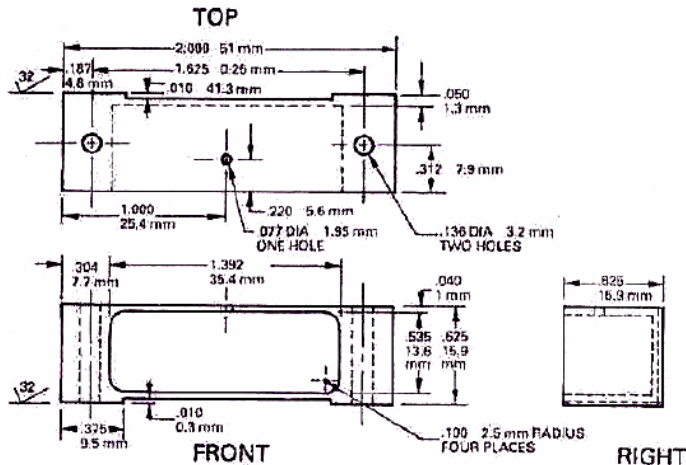
Settling Time: Tilt within full range: 15 sec = +/-2 ArcSec of null  
 Tilt beyond full range: 2 min = +/-20 ArcSec of null  
 5 min = +/-2 ArcSec of null

Cable length between unit and sensor: 8 Ft  
 Power Connector: 2.5mm Barrel Connector (supplied)

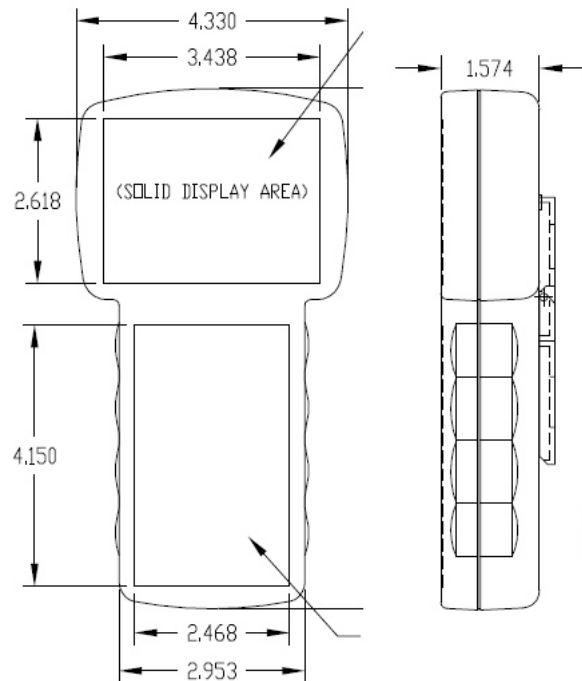
## Sensor Housing

## Ordering Information

Part#: SSY0261



**Physical Dimensions inches (mm)**



**SPECTRON SYSTEMS TECHNOLOGY INC.**

595 OLD WILLETS PATH  
 HAUPPAUGE NY 11788  
 PHONE: 631 582-5600  
 FAX: 631 582-5671

[www.spectronsensors.com](http://www.spectronsensors.com)



**Specifications are subject to change without notice!**

Doc.# SDS-140-1110