

# PR 1713 System Weighing Controller

global weighing technologies



- Programmable weighing and batching controller (acc. IEC 61131)
- EC type approval certificate as Indicator class III, 5000 d
- Integrated PLC functions
- Optional
  - Fieldbus cards: Ethernet, Profibus, Device Net, CanBus
  - analogue I/O's
  - digital I/O's
- Stainless steel multi purpose housing with IP 65
- External PC-keyboard connectable

## PROFILE

The weight indicator PR 1713 has been designed for high precision weighing applications e.g. for platforms, weighbridges, filling stations and batching applications.

## TECHNICAL DATA

**Power supply**  
115/230 V<sub>AC</sub> 50-60 Hz  
max. 19 W / 25 VA

**Housing**  
stainless steel DIN 1.4301 (B.S. 304)  
Ingress Protection: IP 65

**Display**  
7-digit plus status symbols  
text: 2 lines, 20 characters

**Load cell input**  
6- or 4-wire  
Load cell supply: 12 V

Impedance: min. 75 Ω,  
e. g. 8 load cells with 650 Ω

**Interface**  
Bi-directional serial interface RS232;  
user selectable protocols: EW Com,  
remote string, printer, XON XOFF, Jbus,  
MOD-Bus, Dust

**Accuracy**  
5000 d class III acc. to EN 45 501  
OIML R 76  
min. verification interval 1.2 μV/e  
NTEP 10,000 d, class III/IIIL

**Linearity:** < 0.007%

**Resolution (internal):**  
max. 330,000 div. (internal)

**Measuring principle**  
radiometric integrating A/D converter  
conversion time: 50 ms.  
update: 100 ms to 2 s  
adjustable in 100 ms steps

**Input signal range**  
net range: 2.4 mV to 36 mV  
tare range: 0...33.6 mV

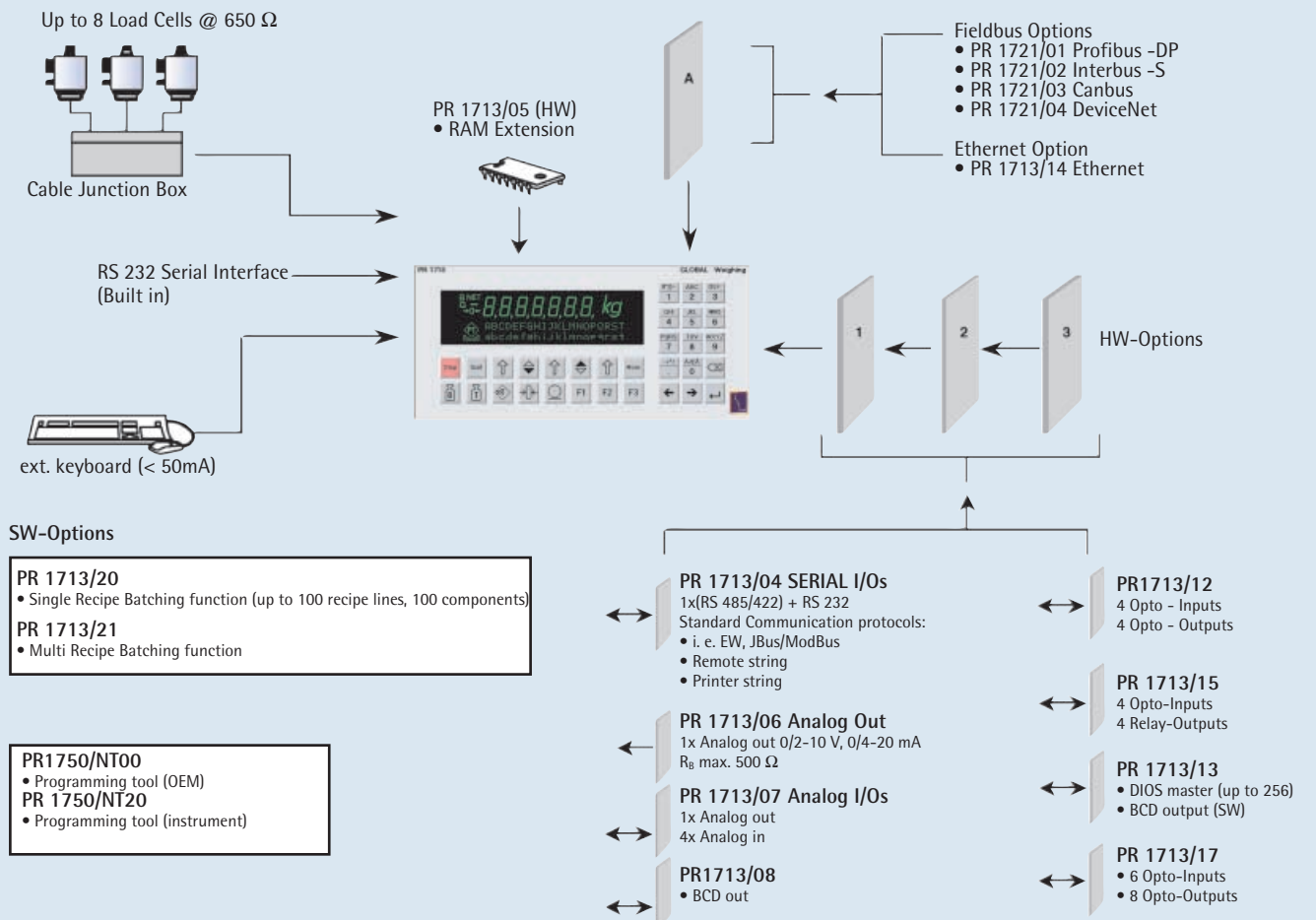
**Temperature effects:**  
Live zero Tko: <0.1 μV / K RTI  
Span: TKspn <0.006 % / 10 K

## ENVIRONMENTAL CONDITIONS

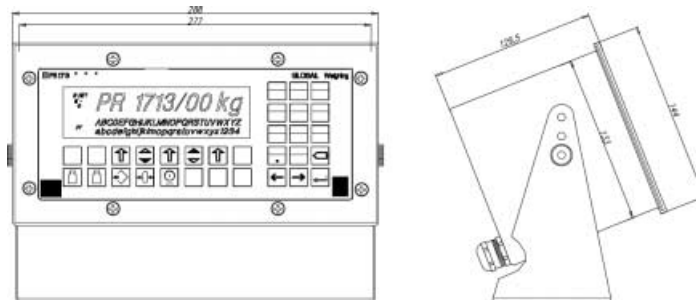
**Temperature range**  
Operation: -10 °C to +40 °C  
Storage: -40 °C to +70 °C

**Electrical safety:** IEC 61010-1  
**Vibration:** IEC 60068  
**Electrostatic discharge:** IEC 61000-4-2  
**Interference:** IEC 61000-4-4  
**Electromagnetic field:** IEC 61000-4-3  
**Radio noise suppression:** EN 55011

**Functional diagram PR 1713**



**Instrument dimensions:**



**Order Numbers**

Type	Number	Type	Number
System Weighing Controller	PR 1713/00	Device Net	PR 1713/14
System Weighing Controller 24 V	PR 1713/01	Control I/Os Relay	PR 1713/15
<b>Hardware Options:</b>		Opto In/Out	PR 1713/17
Serial I/O RS 485/422 + RS 232	PR 1713/04	Profibus-DP Interface	PR 1721/01
RAM Extension	PR 1713/05	Interbus-S Interface	PR 1721/02
Analog Out	PR 1713/06	CanBus Interface	PR 1721/03
Analog I/Os	PR 1713/07	DeviceNet Interface	PR 1721/04
BCD Output	PR 1713/08	<b>Software Options:</b>	
Control I/Os Opto	PR 1713/12	Single Recipe Batching function	PR 1713/20
DIOS Master	PR 1713/13	Multi Recipe Batching function	PR 1713/21

