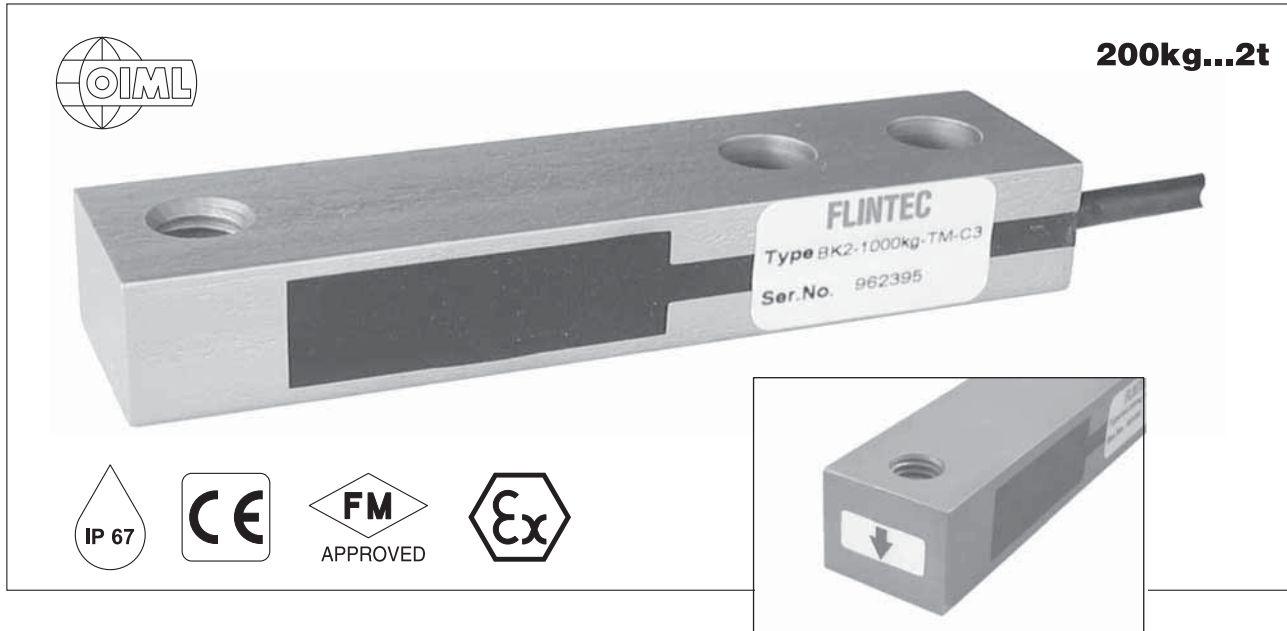




...the right weigh

Type BK2 Load Cell

BK2称重传感器



200kg...2t

Important Features

- Capacities: 200 to 2000 kg.
- High accuracy.
- Stainless steel construction.
- Protection IP 67.
- Very low profile.
- High input resistance: 1100 Ω .
- W&M certified for 3000 intervals(NMi: TC6024).
- Calibration in mV/V/ Ω .
- Factory Mutual approved.

Option

- Explosion protection zone 0, 1, 2 and 20, 21, 22 ATEX.

Mounting parts

- Spacer plate.

选型

BK2	-量程	-防爆 (EX)
------------	-----	----------

主要特点

- 量程：200 到2000 kg
- 高精度
- 不锈钢结构
- 防护等级IP67
- 较低外形
- 输入高阻抗：1100 Ω ，替换方便
- W&M认证，3000分度(NMi: TC6024).
- 数字标定，标定精度0.05%
- FM、OIML、NTEP、CE、FM、Ex认证

选项

- 防爆区域0, 1, 2和20, 21, 22ATEX

安装

- 垫板

SK2 Specifications 技术参数

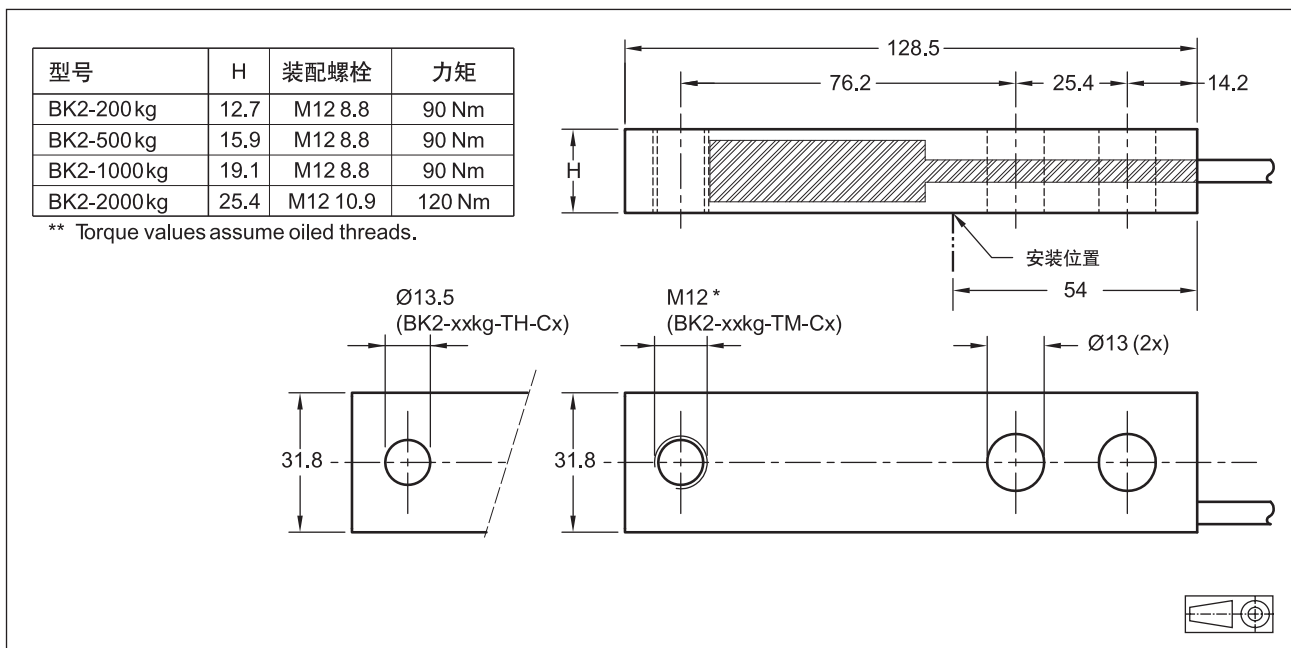
Maximum capacity 量程 (E _{max})	kg	200/500/1000/2000	
Rated Output 输出灵敏度 (C _n)	mV/V	2 \pm 0.1%	
Calibration in mV/V/ Ω 数字标定精度	%C _n	$\leq \pm 0.05$ ($\leq \pm 0.005$)	
Accuracy class according to OIML R 60 精度等级		(GP)	C3
Maximum number of verification intervals 最大检定分度数 (N _{max})		n.a.	3000
Minimum load cell verification interval 最小检定分度 (V _{min})		n.a.	E _{max} /10000
Combined error 综合误差	%C _n	$\leq \pm 0.040$	$\leq \pm 0.020$
Creep error (30 minutes)/DR 蠕变	%C _n	$\leq \pm 0.060$	$\leq \pm 0.016$
Temperature effect on minimum dead load output 零点温度系数	%C _n /°C	$\leq \pm 0.0040$	$\leq \pm 0.0012$
Temperature effect on sensitivity 灵敏度温度系数	%/°C	$\leq \pm 0.0020$	$\leq \pm 0.0011$
Excitation voltage 激励电压	V	5...15	



...the right weigh

Zero balance 零点平衡	%Cn	≤ ± 5
Input resistance 输入电阻	Ω	1100 ± 50
Output resistance 输出电阻	Ω	1000 ± 2
Insulation resistance 绝缘电阻 (100 V DC)	MΩ	≥ 5000
Compensated temperature range 补偿温度范围	℃	-10...+40
Operating temperature range 工作温度范围	℃	-20...+65
Safe load limit 安全载荷限制 (Elim)	%Emax	200
Ultimate load 极限载荷	%Emax	300
Safe side load 安全侧载	%Emax	100
Load cell material 材料		stainless steel 17-4 PH (1.4548) 不锈钢
Sealing 密封		Potted 胶封
Protection according DIN 40.050 防护等级		IP 67

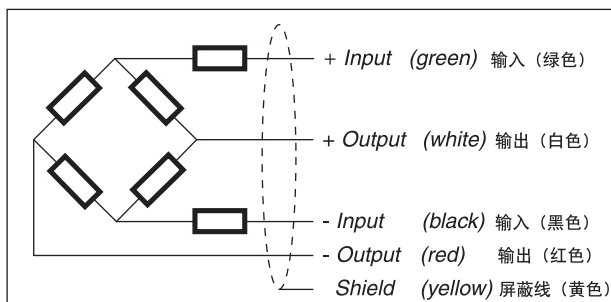
Dimensions 尺寸



All dimensions in mm. 所有尺寸单位为mm.

* Unified thread 1/2-20 UNF is available (BK2-xx kg-TU-Cx). 使用统一螺纹1/2-20 UNF。

接线图



Wiring

- The load cell is provided with a shielded, 4 conductor cable (AWG 24). Cable jacket polyurethane.
- **Cable length:** 3 m.
- **Cable diameter:** 5 mm.
- The shield is floating (On request the shield can be connected to the load cell body).

连线

- 称重传感器带屏蔽线，4线制电缆（AWG 24）。
- **电缆长度：**3m.
- **电缆直径为：**5 mm
- 屏蔽线悬浮（如果要求，屏蔽可与称重传感器本体相连）