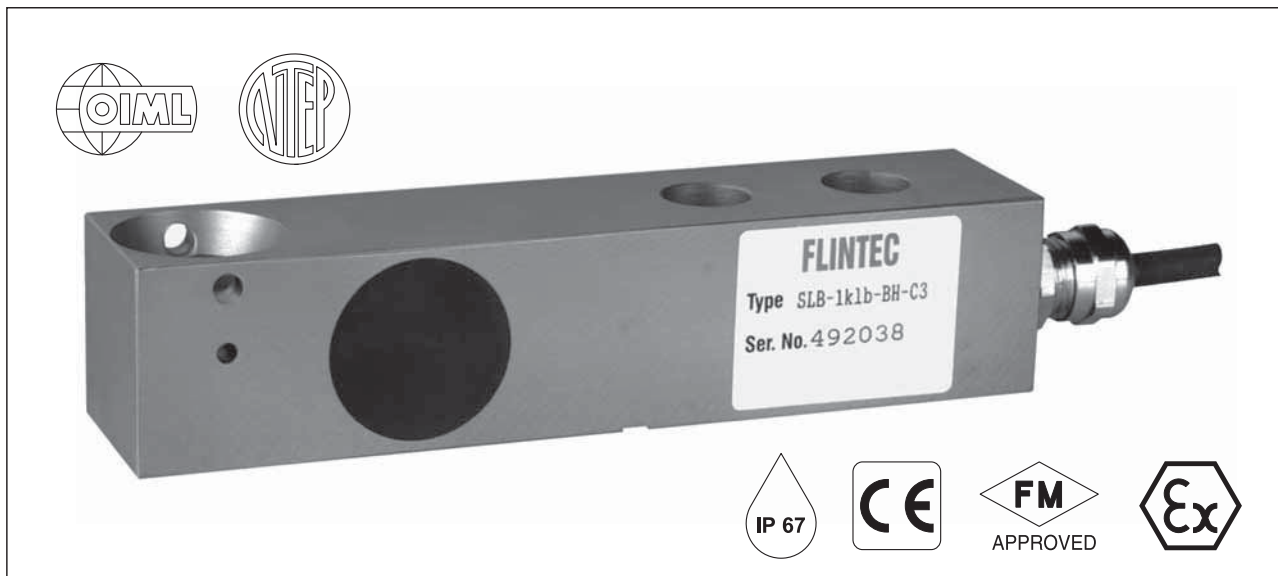




...the right weigh

Type SLB Load Cell

SLB悬梁臂式称重传感器



Important Features

- Capacities: 3kN to 50kN.
- High accuracy .
- Stainless steel or Alloy steel construction.
- Protection IP 67.
- Low profile.
- High input resistance: 1100.
- W&M certified for 3000 intervals
- Unique "blind" loading hole.
- Calibration in mV/V/ Ω
- Factory Mutual approved.

Option

- Explosion protection zone 0, 1, 2 and 20, 21, 22 ATEX.

Mounting parts

- Spacer plate.

选型

SLB	-量程	-防爆 (EX)
------------	-----	----------

主要特点

- 量程: 3kN到50kN
- 高精度
- 不锈钢/合金钢
- 防护等级 IP67
- 较低外形
- 输入电阻高: 1100 Ω , 替换方便。
- W&M认证, 3000分度。
- 盲孔安装
- 数字标定, 标定精度可达0.05%
- OIML、NTEP、CE、FM、Ex认证选项

选项

- 防爆保护区域0, 1, 2和20, 21, 22ATEX
- 高温型

安装

- 需垫板

SLB Specifications 技术参数

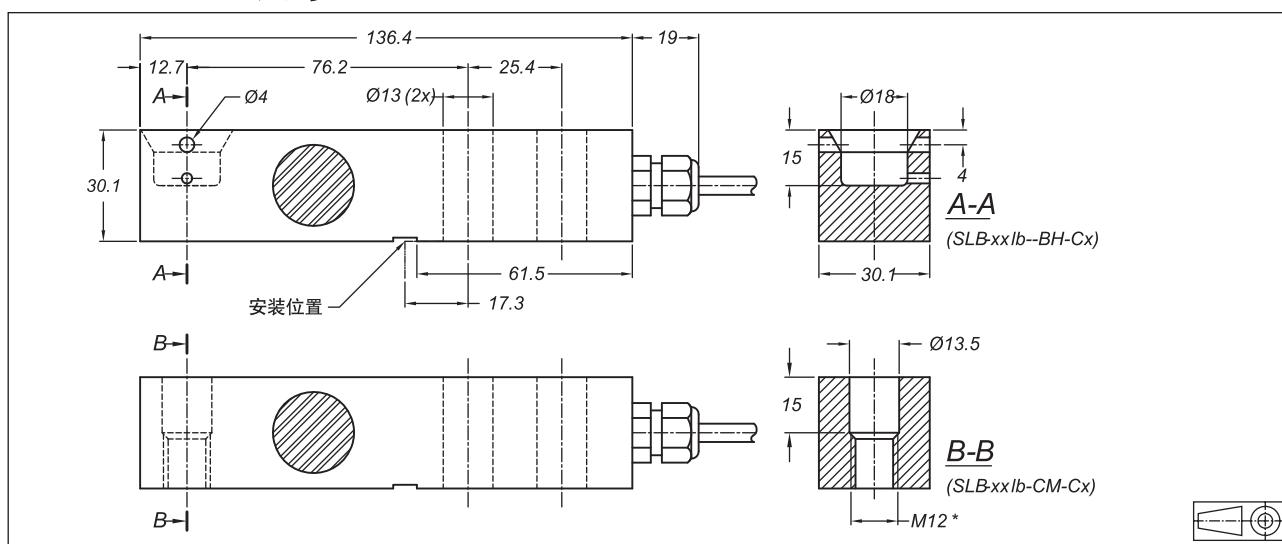
Maximum capacity 量程 (E _{max})	lb	200/500/1000/2500/5000	
Metric 公制	kN	3/5/10/20/30/50	
Rated Output 输出灵敏度 (C _n)	mV/V	2 ± 0.1%	
Calibration in mV/V/ Ω 数字标定精度	%C _n	≤ ± 0.05 (≤ ± 0.005)	
Accuracy class according to OIML R 60 精度等级		(GP)	C3
Maximum number of verification intervals 最大检定分度数 (N _{max})		n.a.	3000
Minimum load cell verification interval 最小检定分度 (V _{min})		n.a.	E _{max} /11500
Combined error 综合误差	%C _n	≤ ± 0.040	≤ ± 0.020
Creep error (30 minutes)/DR 蠕变	%C _n	≤ ± 0.060	≤ ± 0.016
Temperature effect on minimum dead load output 零点温度系数	%C _n /°C	≤ ± 0.0040	≤ ± 0.0011
Temperature effect on sensitivity 灵敏度温度系数	%/°C	≤ ± 0.0020	≤ ± 0.0011
Excitation voltage 激励电压	V	5...15	



...the right weigh

Zero balance 零点平衡	%Cn	≤ ± 5
Input resistance 输入电阻	Ω	1100 ± 50 / 370 ± 10
Output resistance 输出电阻	Ω	1000 ± 2 / 350 ± 3
Insulation resistance 绝缘电阻 (100 V DC)	MΩ	≥ 5000
Compensated temperature range 补偿温度范围	℃	-10...+40
Operating temperature range 工作温度范围	℃	-20...+65
Safe load limit 安全载荷限制 (Elim)	%Emax	200
Ultimate load 极限载荷	%Emax	300
Safe side load 安全侧载	%Emax	100
Load cell material 材料		stainless steel 17-4 PH (1.4548)不锈钢 / alloy steel 合金钢
Sealing 密封		Potted 胶封
Protection according DIN 40.050 防护等级		IP 67

Dimensions 尺寸

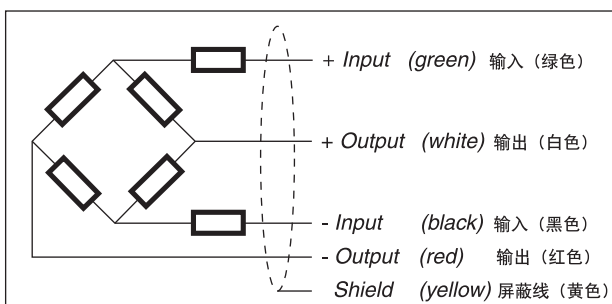


*All dimensions in mm. 所有尺寸单位为: mm

*Mounting bolts for 200 lb to 2500 lb: M12 8.8 / torque 90 Nm; for 5000 lb: M12 10.9 / torque 120 Nm. Torque values assume oiled threads. 对于200lb到2500lb为螺纹安装:M12 8.8/力矩90Nm; 对于5000lb为螺纹安装, M12 10.9/力矩120Nm.

*Unified thread 1/2-20 UNF is available (type designation SLB-xx lb-Cx-CU). 使用统一螺纹1/2-20 UNF (指定型号为SLB-xx lb-Cx-CU)。

接线图



Wiring

- The load cell is provided with a shielded, 4 conductor cable.
- Cable length: 3 m
- Cable diameter: 5 mm
- The shield is floating (On request the shield can be connected to the load cell body).

连线

- 称重传感器专用4芯屏蔽电缆线 (AWG 24)。
- 电缆长度: 3m.
- 电缆直径为: 5 mm
- 屏蔽线悬浮 (如果要求, 屏蔽可与称重传感器本体相连)