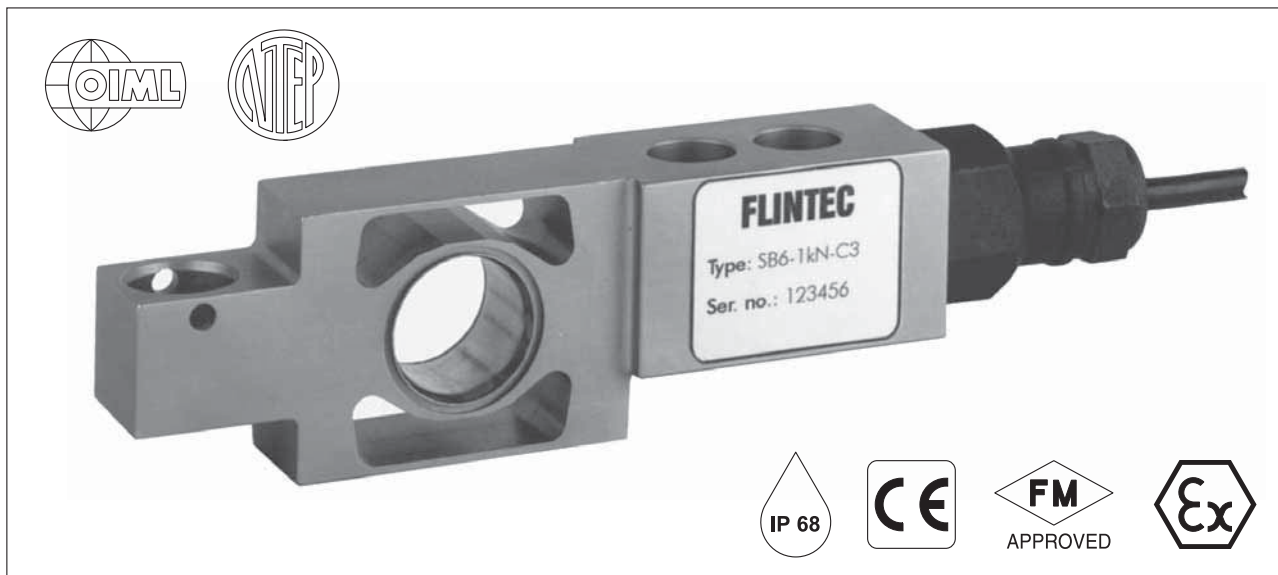




...the right weigh

## Type SB6 Load Cell

SB6悬梁臂式称重传感器



### Important Features

- Capacities: 0.2 kN to 2 kN.
- High accuracy.
- Total stainless steel construction.
- Complete hermetic sealing.
- Protection IP 68.
- Low profile.
- High input resistance: 1100Ω.
- W&M certified for 4000 intervals (PTB: D09-97.04 Rev. 1).
- Calibration in mV/V/Ω.
- Factory Mutual approved.

### Option

- Explosion protection zone 0, 1, 2 and 20, 21, 22 ATEX.
- C3 and C4 with Y=20400.

### Mounting parts

- Insert for loading hole.
- Spacer plate.

### 选型

SB6	-量程	-防爆 (EX)
-----	-----	----------

### 主要特点

- 量程: 0.2kN到2kN
- 高精度
- 不锈钢结构
- 全金属焊接密封
- 防护等级 IP68
- 较低外形
- 输入电阻高: 1100Ω, 替换方便
- W&M认证, 4000分度。(PTB: D09-97.04 Rev. 1)
- 数字标定, 标定精度0.05%
- FM、OIML、NTEP、CE、FM、Ex认证

### 选项

- 防爆保护区域0, 1, 2和20, 21, 22ATEX
- C3和C4 (Y=20400)

### 安装位置

- 孔式安装
- 垫板

### SB6 Specifications 技术参数

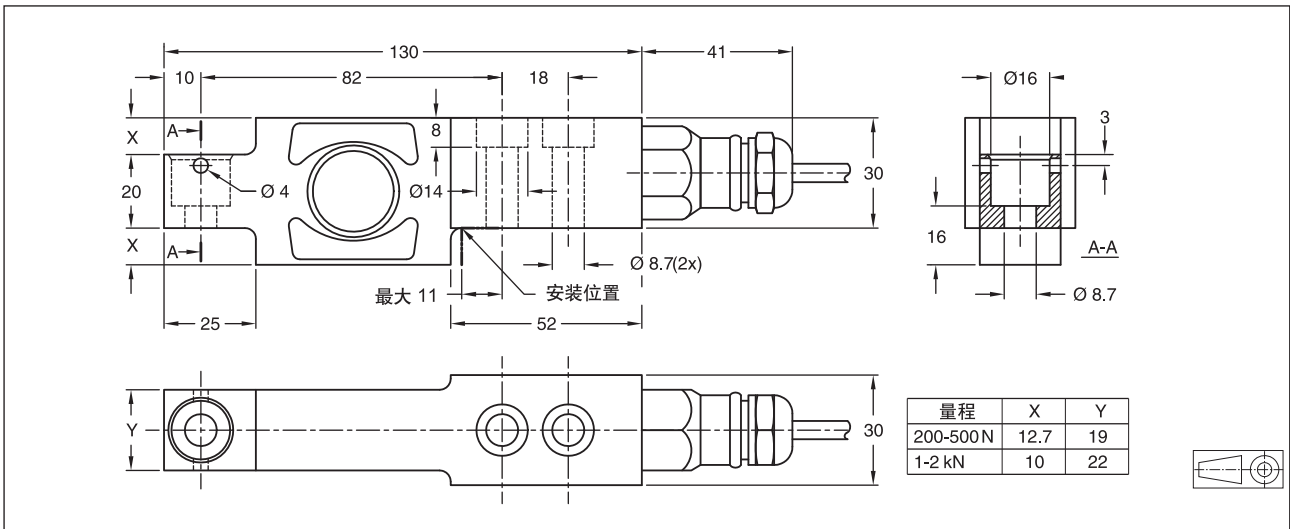
Maximum capacity 量程 (E <sub>max</sub> )	kN	0.2/0.5/1/2		0.2/0.5/1	
Metric equivalent (1 N=0.10197 kg) 公制	kg	20.4/51/102/204		20.4/51/102	
Rated Output 输出灵敏度 (C <sub>n</sub> )	mV/V	2 ± 0.1%			
Calibration in mV/V/Ω 数字标定精度	%C <sub>n</sub>	≤ ± 0.05 (≤ ± 0.005)			
Accuracy class according to OIML R 60 精度等级		(GP)	C1	C3	C4
Maximum number of verification intervals 最大检定分度数 (N <sub>max</sub> )		n.a.	1000	3000	4000
Minimum load cell verification interval 最小检定分度 (V <sub>min</sub> )		n.a.	E <sub>max</sub> /5100	E <sub>max</sub> /10200	E <sub>max</sub> /10200
Temperature effect on sensitivity 灵敏度温度系数	%C <sub>n</sub> /°C	≤ ± 0.0040	≤ ± 0.0028	≤ ± 0.0012	≤ ± 0.0012
Option 选项	Minimum load cell verification interval 最小检定分度 (V <sub>min</sub> )	n.a.	n.a.	E <sub>max</sub> /20400	E <sub>max</sub> /20400



...the right weigh

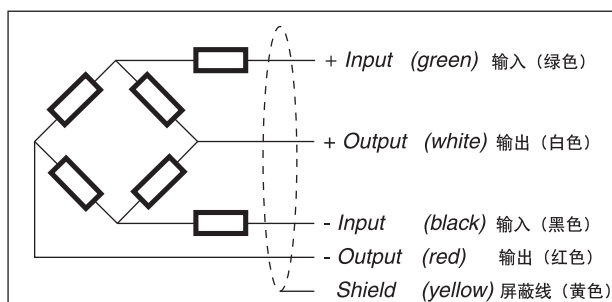
	Temperature effect on minimum dead load output 零点温度系数	%Cn/°C	n.a.	n.a.	≤ ± 0.006	≤ ± 0.006
Combined error 综合误差		%Cn	≤ ± 0.040	≤ ± 0.030	≤ ± 0.020	≤ ± 0.018
Creep error (30 minutes)/DR 蠕变		%Cn	≤ ± 0.060	≤ ± 0.049	≤ ± 0.016	≤ ± 0.012
Temperature effect on sensitivity 灵敏度温度系数		%Cn/°C	≤ ± 0.0020	≤ ± 0.0016	≤ ± 0.0011	≤ ± 0.0008
Excitation voltage 激励电压		V	5...15			
Zero balance 零点平衡		%Cn	≤ ± 5			
Input resistance 输入电阻		Ω	1100 ± 50			
Output resistance 输出电阻		Ω	1000 ± 2			
Insulation resistance 绝缘电阻 (100 V DC)		MΩ	≥ 5000			
Compensated temperature range 补偿温度范围		°C	-10...+40			
Operating temperature range 工作温度范围		°C	-40...+80			
Safe load limit 安全载荷限制 (Elim)		%Emax	200			
Ultimate load 极限载荷		%Emax	300			
Safe side load 安全侧载		%Emax	100			
Load cell material 材料			stainless steel 17-4 PH (1.4548) 不锈钢			
Sealing 密封			complete hermetic sealing; 全金属焊接密封			
Protection according DIN 40.050 防护等级			IP 68			

## Dimensions 尺寸



All dimensions in mm. 所有尺寸的单位为: mm  
 Mounting bolts M8 8.8; torque: 25 Nm. Torque value assumes oiled threads. 安装螺纹M8 8.8;力矩为25Nm. 力矩值是适用在油螺纹下。

### 接线图



### Wiring

- The load cell is provided with a shielded, 4 conductor cable (AWG 24). Cable jacket polyurethane.
- Cable length: 3 m.
- Cable diameter: 5 mm.
- The shield is floating (On request the shield can be connected to the load cell body).

### 连线

- 称重传感器专用4芯屏蔽电缆线 (AWG 24)。
- 电缆长度: 3m.
- 电缆直径: 5 mm
- 屏蔽线悬浮 (如果要求, 屏蔽可与称重传感器本体相连)