

Model WMC Miniature Sealed Stainless Steel Load Cell

Capacities 5-500 lbf

Why the Interface model WMC Miniature Sealed Stainless Steel Load Cell is the best in class:

- Proprietary Interface temperature compensated strain gages
- Tension and compression
- Small size
- Environmentally sealed



SPECIFICATIONS

ACCURACY - (MAX ERROR)

Nonlinearity-% FS±0.15
 Hysteresis-% FS±0.15
 Nonrepeatability-% RO±0.05
 Creep, in 20 min-%±0.05

TEMPERATURE

Compensated Range-°F15 to 115
 Compensated Range-°C-10 to 45
 Operating Range-°F-65 to 250
 Operating Range-°C-54 to 121
 Effect on Output-%/°F - MAX±0.002
 Effect on Zero-% RO/°F - MAX±0.005

ELECTRICAL

Rated Output-mV/V (Nominal)2.0
 Zero Balance-% RO±2.0
 Bridge Resistance-Ohm (Nominal)350
 Excitation Voltage - MAX12.0 VDC
 Insulation Resistance - Megohm> 5000

MECHANICAL

CalibrationTension
 Safe Overload-% CAP:
 5,10 lbf150
 25-500 lbf150
 Cable length-ft5

STANDARD CONFIGURATION

5 ft Integral Cable

OPTIONS

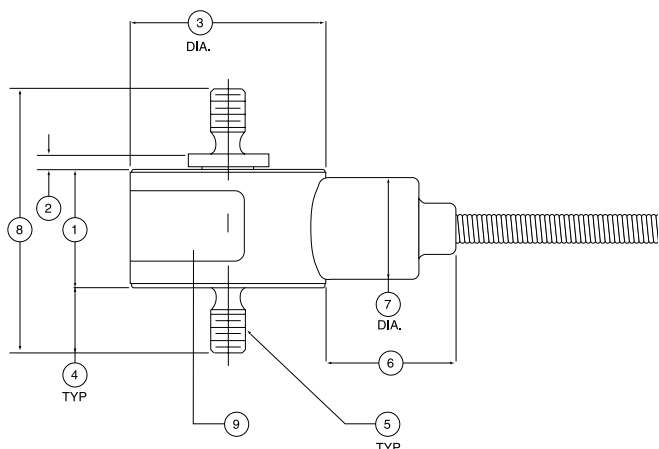
Extra Cable Length

ACCESSORIES

Instrumentation

Consult factory for more technical information

DIMENSIONS



See Drawing	CAPACITY (lbf)					
	5, 10		25, 50, 100		250, 500	
	inch	mm	inch	mm	inch	mm
①	0.45	11.4	0.52	13.21	0.52	13.21
②	0.06	1.5	0.12	3.05	0.03	0.76
③	0.75	19.1	1.00	25.4	1.00	25.4
④	0.25	6.4	0.25	6.4	0.38	9.7
⑤	6-32 UNF		10-32 UNF		1/4-28 UNF	
⑥	0.50	12.7	0.50	12.7	0.50	12.7
⑦	0.39	9.9	0.39	6.4	0.39	6.4
⑧	1.01	25.6	1.14	29.0	1.31	33.3
⑨	label		label		label	