

Model WMC Rod End Load Cell

Why the Interface model WMC Rod End Load Cell is the best in class:

- Proprietary Interface temperature compensated strain gages
- Environmentally sealed
- Stainless steel construction
- Low deflection
- Tension and compression



STANDARD CONFIGURATION

PTO2E-10-6P Connector

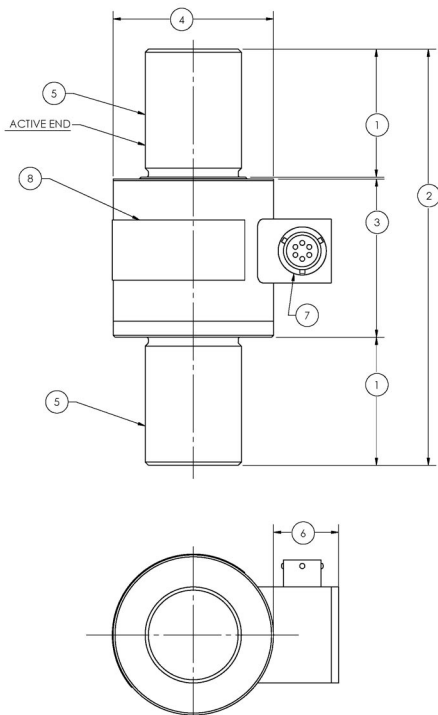
OPTIONS

Integral Cable
Standardized Output

ACCESSORIES

Instrumentation

Consult factory for more technical information



SPECIFICATIONS

ACCURACY – MAX
 Nonlinearity - % FS.....±0.10
 Hysteresis - % FS.....±0.10
 Nonrepeatability - % RO.....±0.05
 Creep, in 20 min - %.....±0.05
 TEMPERATURE
 Compensated Range - °F.....15 to 115
 Compensated Range - °C.....-10 to 45
 Operating Range - °F.....-65 to 250
 Operating Range - °C.....-54 to 121
 Effect on Output - %/°F – MAX.....±0.004
 Effect on Output - %/°C – MAX.....±0.0072
 Effect on Zero - % RO/°F – MAX.....±0.0025
 Effect on Zero - % RO/°C – MAX.....±0.0045
 ELECTRICAL
 Rated Output- mV/V (nominal).....2
 Zero Balance - %RO.....±1
 Bridge Resistance – Ohm (nominal).....350 ±3.5
 Excitation Voltage – MAX.....15 VDC
 Insulation Resistance – Megohm.....> 5000
 MECHANICAL
 Calibration.....Tension
 Safe Overload - % CAP.....150

DIMENSIONS

See Drawing	CAPACITY (lb)	
	20K, 30K, 50K	
	inch	mm
①	2.00	50.8
②	6.5	165.1
③	2.47	62.7
④	2.5	63.5
⑤	1.5 - 12 UNF	
⑥	1.01	25.7
⑦	PTO2E-10-6P	
⑧	Label	