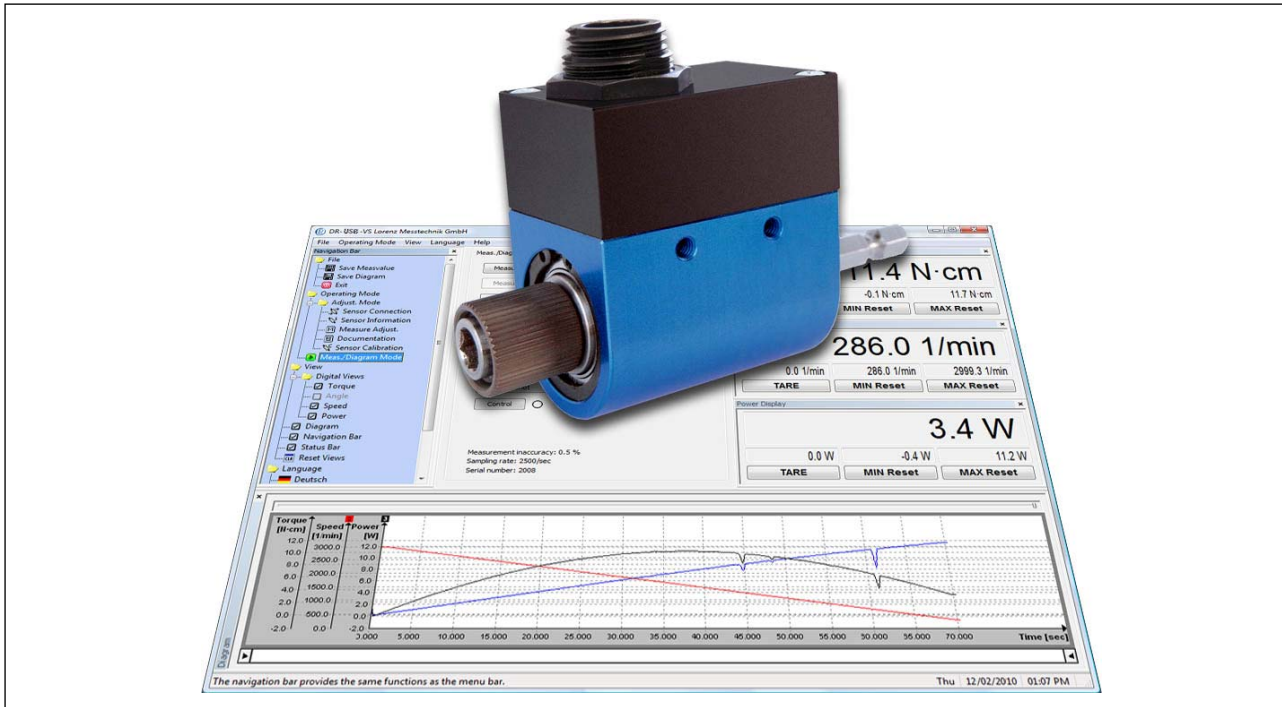


USB - Torque Sensor with Configuration and Evaluation Software

DR-3003

- Nominal torque from 0.1 N·m ... 20 N·m
- Up to 2500 Measurements/s
- 16-Bit digitalization in sensor directly
- Feed-in from USB, without ext. power supply
- Suited for mobile operation with a notebook
- Calibration parameter lodged in sensor
- Calibration control actuation by software
- Power computation by software

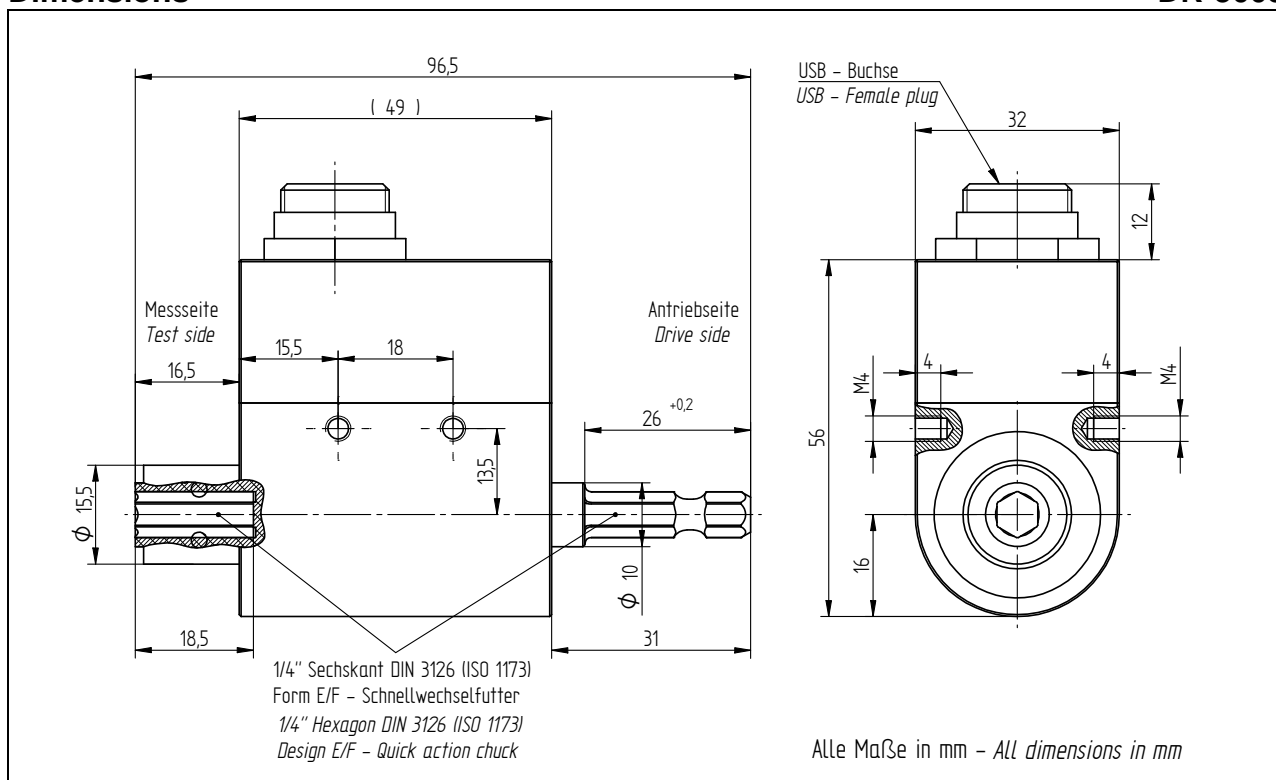


This sensor has a contactless and digital signal transmission from rotor to stator, which means no signal falsification and maintenance-free.

Article Number	Nominal Torque [N·m]	Weight approx. [kg]	Hexagon	Limit Speed [min ⁻¹]	Springrate [N·m/rad]	Mass Moment of Inertia [kg·m ²]		Natural Frequency [Hz]	Limit Thrust Load [N]
						Drive side	Test side		
112831	0.1	0.2	1/4"	3000	18	2.6E-06	3.9E-07	1.1·10 ³	43
112832	0.2	0.2		3000	18	2.6E-06	3.9E-07	1.1·10 ³	39
112833	0.5	0.2		3000	112	2.6E-06	3.9E-07	2.9·10 ³	170
112834	1	0.2		4000	112	2.6E-06	3.9E-07	2.9·10 ³	170
112828	2	0.2		4000	285	2.6E-06	3.9E-07	4.6·10 ³	240
112835	5	0.2		4000	457	2.6E-06	4.0E-07	5.8·10 ³	430
112836	10	0.2		4000	516	2.6E-06	4.2E-07	6.0·10 ³	570
112837	15	0.2		4000	516	2.6E-06	4.2E-07	6.0·10 ³	570
112838	20	0.2		4000	516	2.6E-06	4.2E-07	6.0·10 ³	570

Specifications

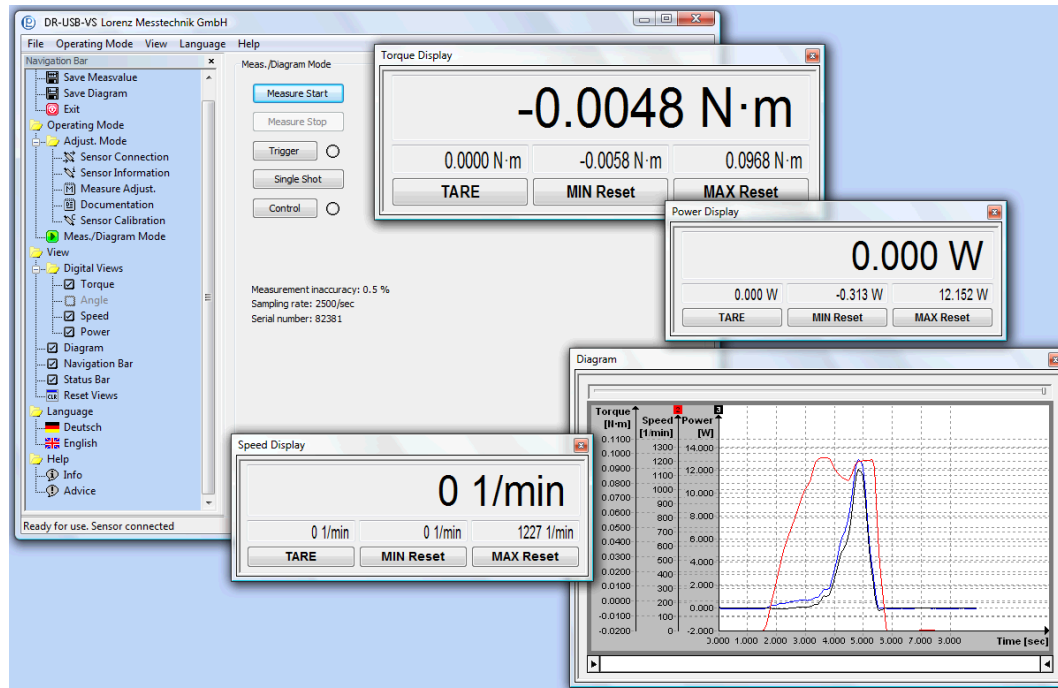
Type	DR-3003	
Accuracy class torque	% f. s.	±0.1
Speed resolution	min ⁻¹	1
Speed accuracy	% f. s.	±1
Angle of rotation resolution	degree	0.25
Relative spread	%	±0.02
Feed-in from USB	V DC	4 ... 6
Current consumption	mA	max. 250
Output signal torque	digits	±25,000
Output signal speed / angle of rotation	digits	±32,511
Input calibration control actuation		per Software
Sample rate	kSample	2.5
Reference temperature	°C	+23
Nominal temperature range	°C	+5 ... +45
Service temperature range	°C	0 ... +60
Storage temperature range	°C	-10 ... +70
Temperature coefficient of characteristic value	% f. s./K	+0.01
Temperature coefficient of zero signal	% f. s./K	±0.02
Service torque (static)	% f. s.	150
Limit torque (static)	% f. s.	200
Ultimate torque (static)	% f. s.	>300
Oscillation amplitude (DIN 50 100)	%	70 (peak - peak)
Level of protection (DIN EN 60529)	IP50	
Electrical connection	PX0446 IP68 B Mini USB, incl. 3 m connection cable to PC	

Dimensions**DR-3003**

Configuration and Evaluation Software

DR-USB-VS

- Convenient configuration and evaluation software
- Graphic presentation of torque/ speed/ power or torque/ angle of rotation
- Automatic scaling of y-axis
- Simultaneous storage of up to 3 physical values
- Automatic storage function of the measured values as CSV- or BMP-File



Description

Configuration and evaluation software for easy analysis and graphic presentation on a PC.

The software allows direct read in of measured data into a text file in CSV-Format through the USB-Port of a PC. This enables further analyses with a commercially available spreadsheet program at any time.

Specifications

Type	DR-USB-VS
Interface	USB
Protocol	Lorenz standard protocol
System requirements	ex Win2000 ¹ Single- Core ex 2.0 GHz (without diagram) Dual- Core ex 1.8 GHz (with diagram)

Conversion in physical values	✓
Simultaneous measuring	1 Sensor
Graphic presentation of a physical value	✓
Automatic or manual storage in a CSV and BMP file	✓
Mathematical computation of the mechanical power	✓
Calibration function	✓
Resettable minimum value memory for each measured value	✓
Resettable maximum value memory for each measured value	✓
Variable average determination	✓
Tare for each measured value	✓

¹ Windows[®] is either a registered brand or brand of the Microsoft Corporation in the USA and/or other countries.