

ABSOLUTE TYPE

AHS2 Model

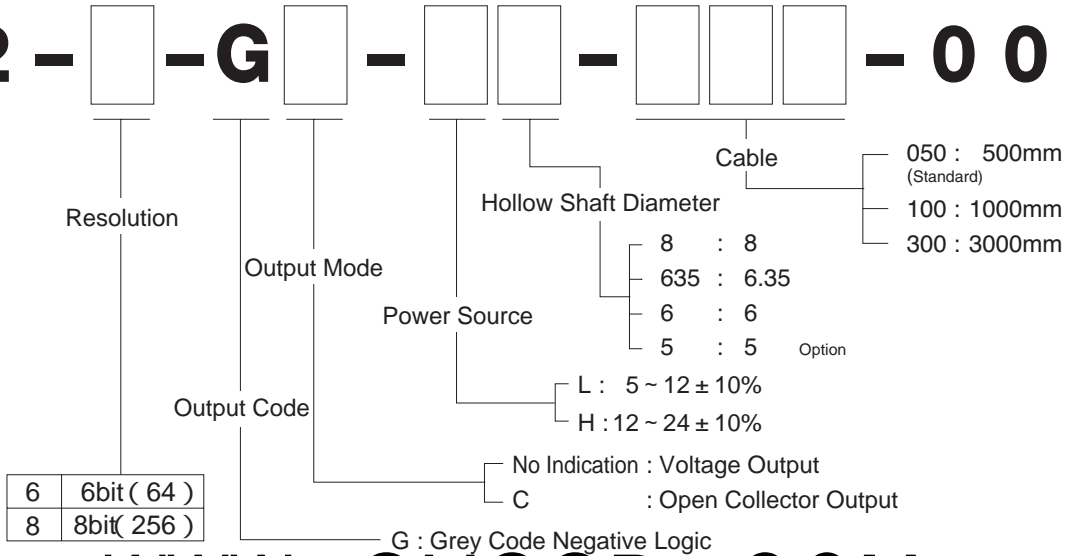


New Type of The 38 Series Hollow Shaft and Absolute Models.

- Most Advanced 256 PPR High Resolution with Cover.

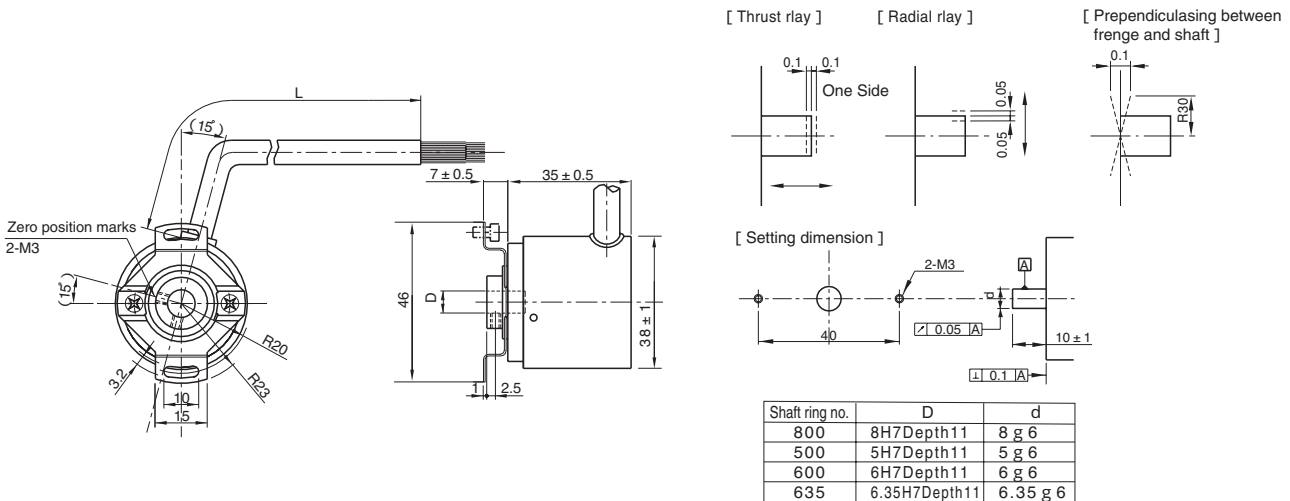
Model

AHS2 - [] - G [] - [] [] - [] [] [] - 0 0

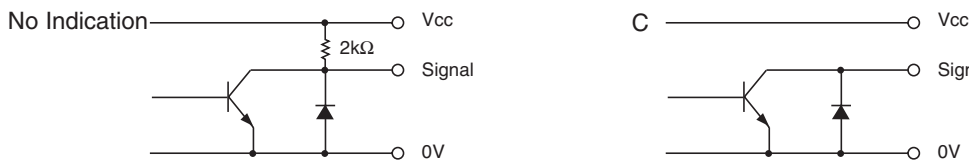


WWW.SHSSD.COM

External Dimension



Input & Output Current



Electrical Spec.

Supply Voltage	L : DC 4.5 ~ 13.2 V H : DC 10.8 ~ 26.4 V	
Requirement	100mA Max	
Output Voltage	"H"	Within - 1 power volt
	"L" ※1	0.5 V Max
Maximum Output Current	20 mA MAX	
Rise & Fall Time	1 μ s Max	
Maximum Frequency Response ²	5 kHz	

Electrical Connections

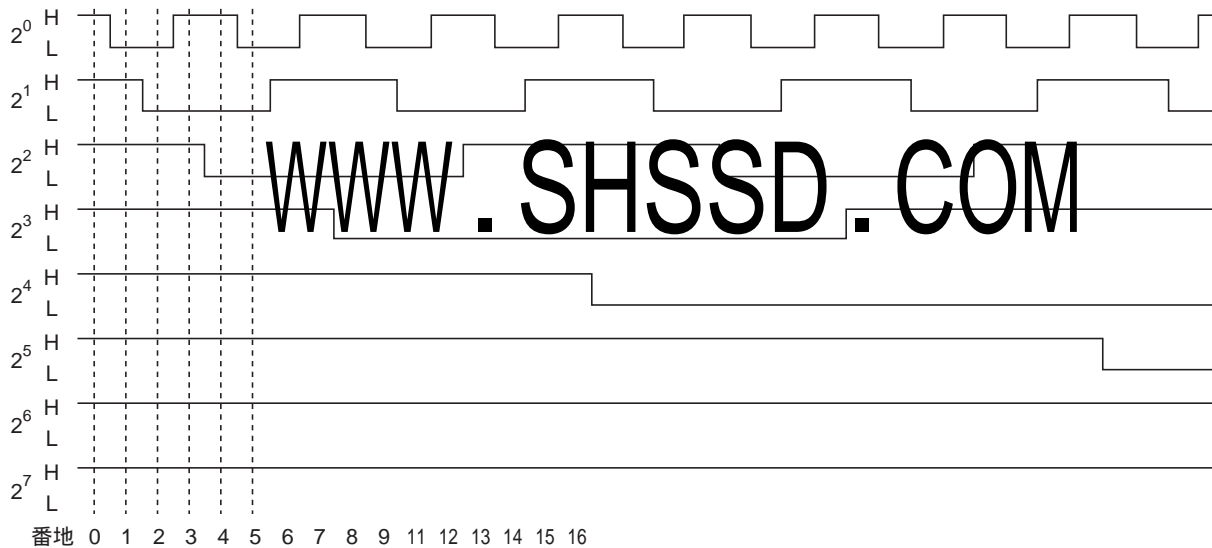
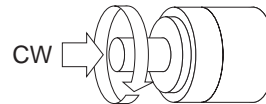
Color of Lead Wire	Description
Red	Power Souce
Black	OV Common
Brown	Signal 2 ⁰
Orange	Signal 2 ¹
Yellow	Signal 2 ²
Green	Signal 2 ³
Blue	Signal 2 ⁴
Purple	Signal 2 ⁵
Gray	Signal 2 ⁶ Only available for 256 split type
White	Signal 2 ⁷ Only available for 256 split type
Shielding Braid	F.G

※1) at Maximum Output Current ※2) When The Lording is 5V 1K

Wave Form.

(Extract)

Rotating Toward Clockwise
Viewed from an Arrow



Mechanical Spec.

Starting Torque	9.8×10 ⁻⁴ N · m Max	
Angular Acceleration	1×10 ⁵ rad/s ²	
Shaft Loading	Thrust axial	9.8N
	Radial	29.4N
Moment of Inertia	8×10 ⁻⁷ kg · m ²	
Maximum RPM	6000r/min	
Net Weight(W/O Cable)	120g Max	

Environmental Spec.

Operating Temperature	-10°C ~ +55°C
Storage Temperature	- 25°C ~ +80°C
Humidity	RH 85% Max No Condensation
Vibration	10 ~ 55 Hz / 1.5mm 2 h
Shock	490m/s ² ,11ms X, Y, Z Each 3 times
Degree of Protection	IP50