

ABSOLUTE TYPE ASC-HP

Model



Water Proof 50 Series Models

- Most Advanced IP65 Encoder.
- Large Bearings.

Model

ASC-HP - - - - 0 0

<p>Style</p> <p>H: Hollow Shaft P: Dust-Proof & Water-Proof</p> <table border="1"> <tr><td>8</td><td>8bit(256)</td></tr> <tr><td>720</td><td>10bit(720)</td></tr> <tr><td>10</td><td>10bit(1024)</td></tr> <tr><td>12</td><td>12bit(4096)</td></tr> </table>	8	8bit(256)	720	10bit(720)	10	10bit(1024)	12	12bit(4096)	<p>Resolution</p>	<p>Output Code</p> <p>G : Grey Code Negative Logic A : Binary</p>	<p>Output Mode</p> <p>No Indication : Output C : Open Collector Output</p>	<p>Power Source</p> <p>L : 5 ~ 12 ± 10% H : 12 ~ 24 ± 10%</p>	<p>Hollow Shaft Diameter</p>	<p>Cable Length</p> <p>200 : 2000mm (Standard) 8 : 8 6 : 6 635 : 6.35</p>
8	8bit(256)													
720	10bit(720)													
10	10bit(1024)													
12	12bit(4096)													

Due to unavailable combination of specifications, Please make sure with sales Reps of the model name.

External Dimension

WWW.SHSSD.COM

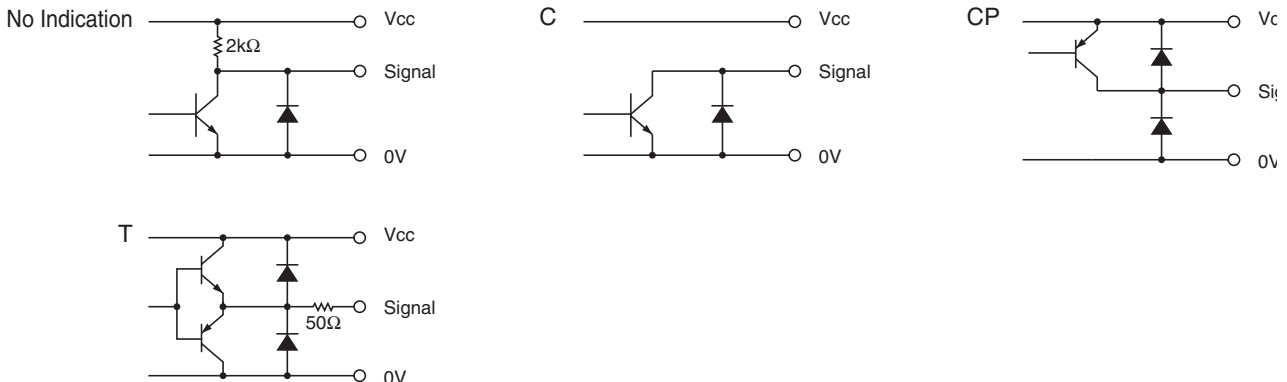
Zero position marks 2-M3

One Side

[Setting dimension]

Shaft ring no.	D	d
800	8H7Depth11	8 g 6
600	6H7Depth11	6 g 6
635	6.35H7Depth11	6.35 g 6

Input & Output Current



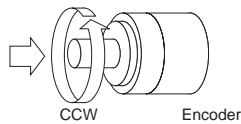
Electrical Spec.

TYPE		Voltage Output	C
Supply Voltage		DC 4.5 ~ 13.2 V DC 10.8 ~ 26.4 V	
Requirement		100 mA Max	
Output Voltage	“H”	Within -1 Power Volt(Exclude C)	Within - 3 power volt
	“L” ※1	0.5 V or Less(Exclude CP)	3 V Max
Maximum Output Current		20 mA MAX	40 mA MAX
Rise & Fall Time		2 μs Max	
Maximum Frequency Response ²		10kHz(256)	20kHz(720,1024,4096)

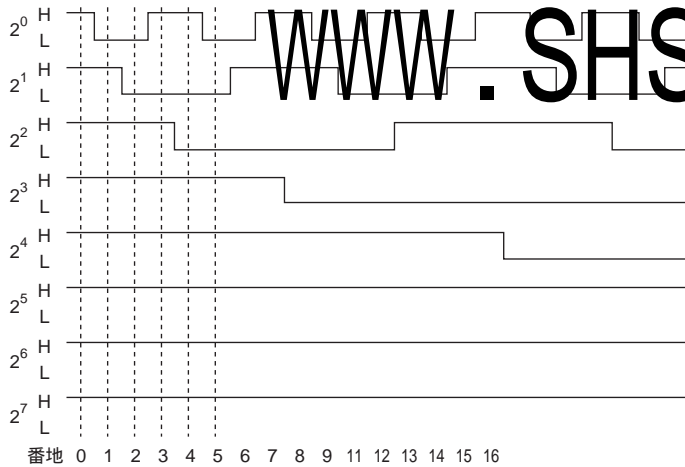
※1) at Maximum Output Current ※2) When The Lording is 5V 1K

Wave Form.

(Extract) Rotating Toward Clockwise Viewed from an Arrow=256•720•1024
Rotating Toward Counter Clockwise Viewed from an Arrow=4096



8 ~ 10 bits rotate toward CW



Electrical Connections

(4096)		(256•720•1024)	
Color of Lead Wire	Description	Color of Lead Wire	Description
Red	Power Souce	Red	Power Souce
Black	OV Common	Black	OV Common
Brown	Signal 2 ⁰	Brown	Signal 2 ⁰
Brown-White	Signal 2 ¹	Orange	Signal 2 ¹
Orange	Signal 2 ²	Yellow	Signal 2 ²
Orange-White	Signal 2 ³	Green	Signal 2 ³
Red-White	Signal 2 ⁴	Blue	Signal 2 ⁴
Yellow-White	Signal 2 ⁵	Purple	Signal 2 ⁵
Green	Signal 2 ⁶	Gray	Signal 2 ⁶
Green-White	Signal 2 ⁷	White	Signal 2 ⁷
Blue	Signal 2 ⁸	Pink	Signal 2 ⁸ Only available for 1024 split type
Blue-White	Signal 2 ⁹	Sky Blue	Signal 2 ⁹ Only available for 1024 split type
Gray	Signal 2 ¹⁰	Shielding Braid	F.G
Gray-White	Signal 2 ¹¹		
Shielding Braid	FG		

Mechanical Spec.

Starting Torque	9.8×10 ⁻³ N · m Max
Angular Acceleration	1×10 ⁵ rad/s ²
Shaft Loading	Thrust axial 49N
	Radial 78.4N
Moment of Inertia	3×10 ⁻⁶ kg · m ²
Maximum RPM	5000r/min(Maximum) 3000r/min(Continuous)
Net Weight(W/O Cable)	250g Max

Environmental Spec.

Operating Temperature	-10°C ~ +60°C
Storage Temperature	- 30°C ~ +85°C
Humidity	RH 85% Max No Condensation
Vibration	10 ~ 55 Hz / 1.5mm 2 h
Shock	980m/s ² , 11ms X, Y, Z Each 3 times
Degree of Protection	IP65