

MODULAR TYPE

LOM Model

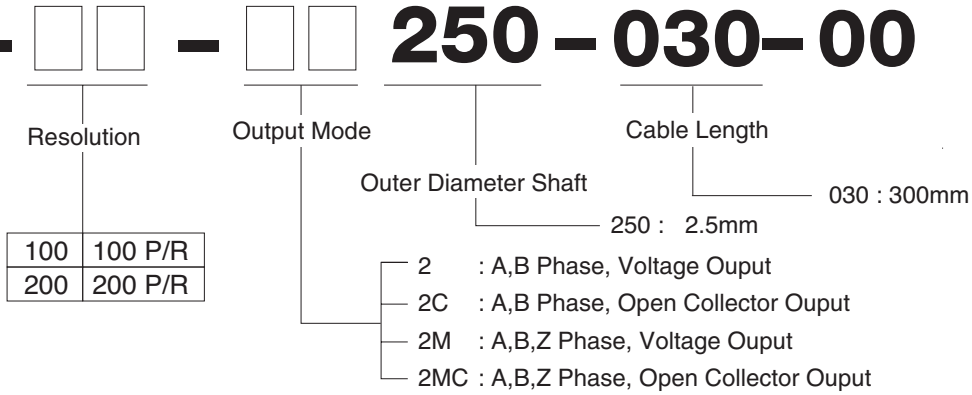


Small Modular Model

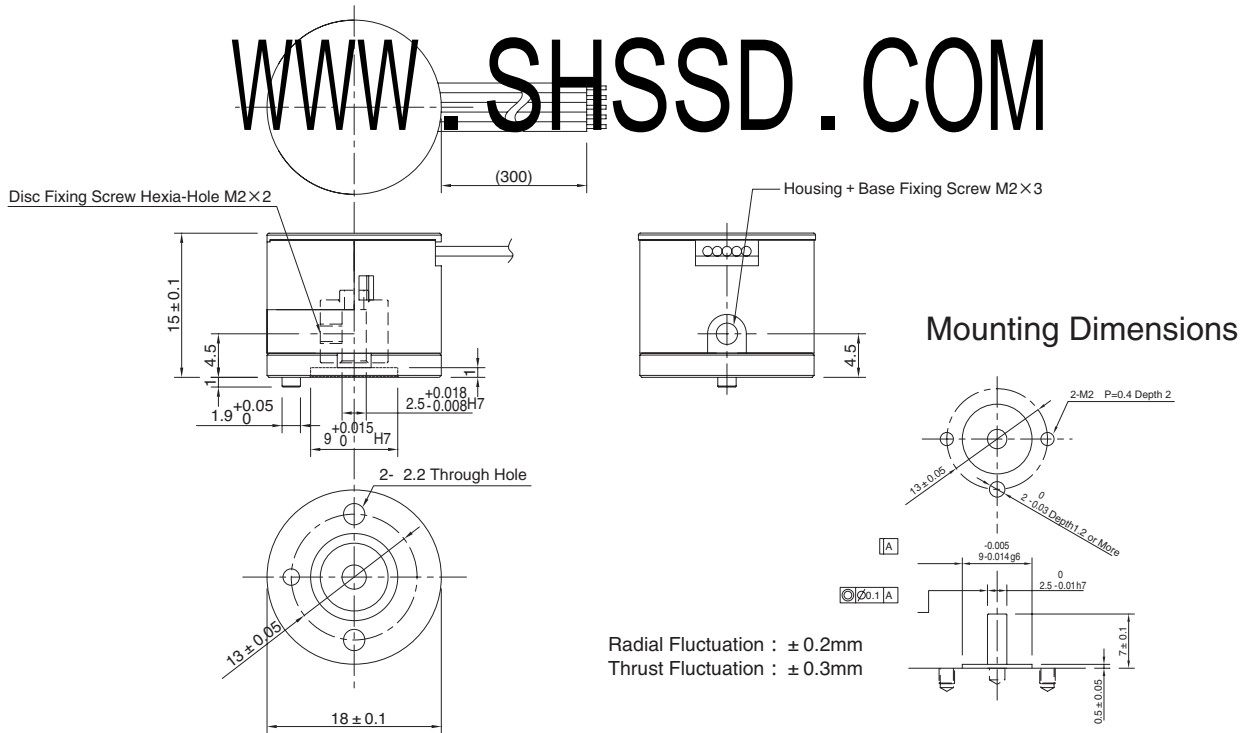
- For Compact and High Speed Motion : More Than 10000r/min.
- Low Cost due to No Bearings.

Model

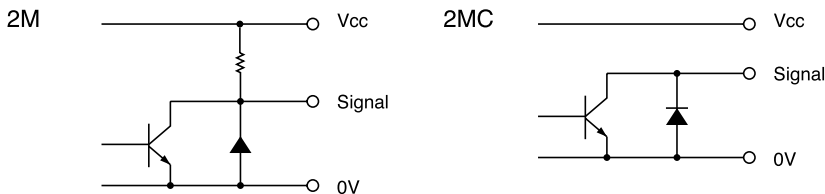
LOM - [] [] - [] [] 250 - 030 - 00



External Dimension



Circuit of Output Signal

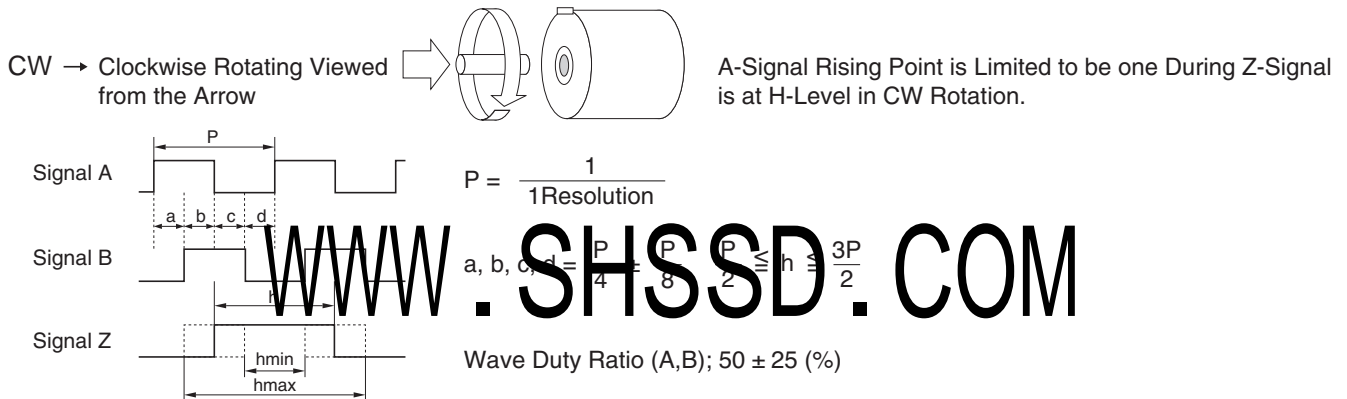


Electrical Spec.

TYPE		2	2M	2C	2MC
Supply Voltage		DC4.5 ~ 5.5V			
Requirement		40 mA Max	60 mA Max	40 mA Max	60 mA Max
Output Voltage	"H"	Within -1 Power Volt			
	"L" ※1	0.5 V Max			
Maximum Output Current		20 mA MAX			
Rise & Fall Time		1 μs Max			
Maximum Frequency Response		30 kHz			

※1) at Maximum Output Current

Wave Form.



Electrical Connections

Color of Lead Wire	Description
Red	Power Source
Black	0V Common
Blue	Signal A
White	Signal B
Yellow	Signal C

Mechanical Spec.

Moment of Inertia	8×10 ⁻⁸ kg · m ²
Maximum RPM	9,000r/min(200P/R) 18,000r/min(100P/R)
Net Weight	10g Max

Environmental Spec.

Operating Temperature	-10°C ~ +85°C
Storage Temperature	-20°C ~ +85°C
Humidity	RH 85% Max No Condensation
Vibration	10~55 Hz / 1.5mm 2 h
Shock	490m/s ² , 11ms X, Y, Z Each 3 times