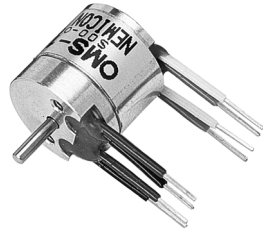


**MINIATURE TYPE**

**OMS-T** Model



**Miniature Model**

- Ultra Micro Encoder : 12.
- Ultra Light Encoder Max : 8g.

**Model**

OMS - [ ] [ ] - [ ] T

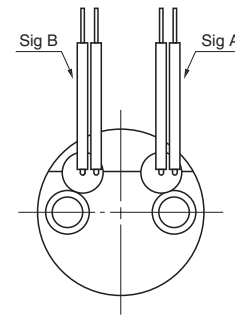
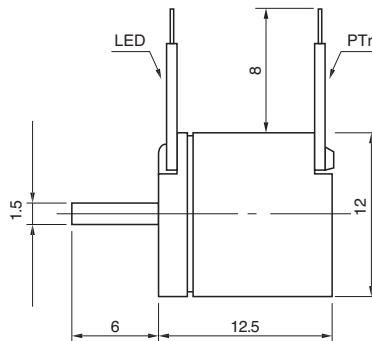
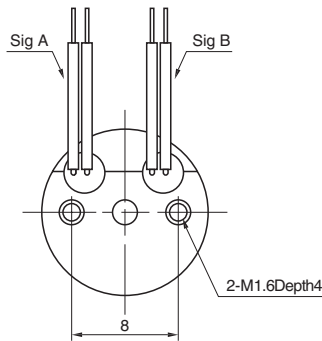


NOTE ) Output Mode is Sine Wave Signal

50	50 P/R	90	90 P/R	125	125 P/R
60	60 P/R	100	100 P/R		

[WWW.SHSSD.COM](http://WWW.SHSSD.COM)

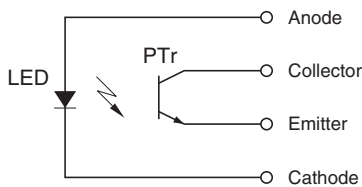
**External Dimension**



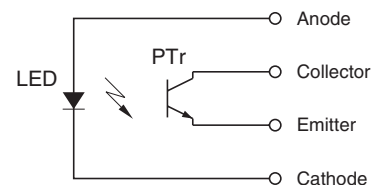
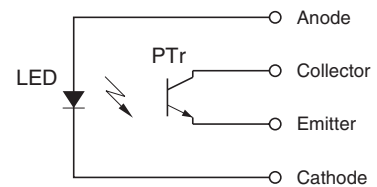
Install without stress on wires.

**Circuit of Output Signal**

1T



2T



### Electrical Spec.

TYPE	1T	2T
LED Current	IF = 26 mA Max	
Maximum Frequency Response	10 KHz	
Output Signal Amplitude	150 mVp-p or More	
Output Amplitude Variation	40 % Max	

### Electrical Connections

Color of Lead Wire	Description
Red	Anode
Black	Cathode
Blue	Collector
White	Emitter

### Max. Rating of Electronic Elements

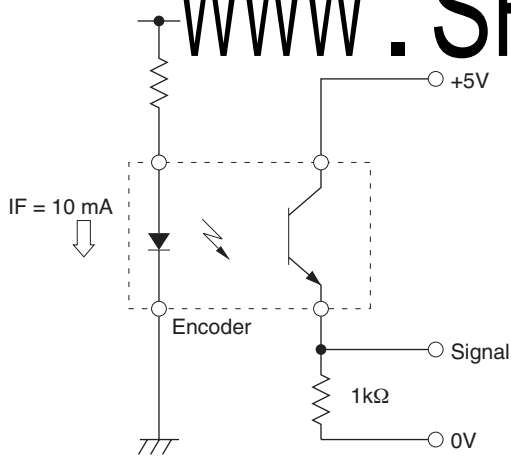
#### LED Light Emitting Diode

Max. Current Flow	IF ; 60 mA
Reverse Voltage	VR ; 4 V
Derate(25 to 70°C)	- 1.73 m W / °C

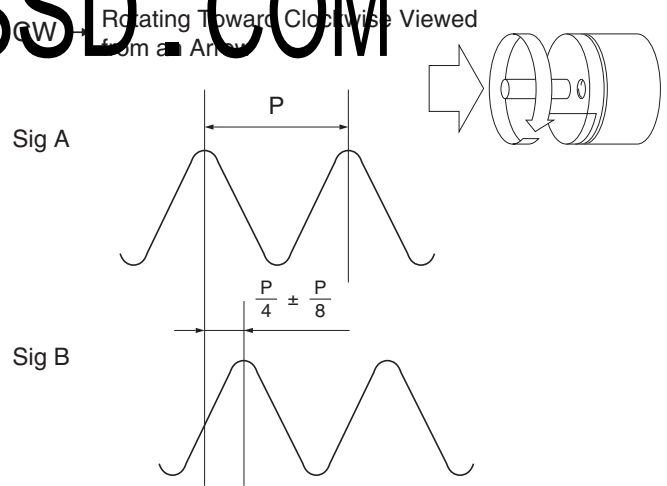
#### PTT Photo Transistor

Collector-Emitter Voltage	V <sub>CEO</sub> ; 20 V
Emitter-Collector Voltage	V <sub>ECO</sub> ; 5 V
Collector Current	I <sub>c</sub> ; 20 mA
Collector Power Dissipation	P <sub>c</sub> ; 75 mW
Derate(25 to 70°C)	- 1.0 m W / °C

### Test Circuit



### Wave Form



### Mechanical Spec.

Starting Torque	9.8×10 <sup>-5</sup> N · m Max	
Shaft Loading	Thrust axial	0.98N
	Radial	0.98N
Moment of Inertia	2×10 <sup>-9</sup> kg · m <sup>2</sup>	
Maximum RPM	6000r/min	
Net Weight	8g Max	

### Environmental Spec.

Operating Temperature	0°C ~ +50°C
Storage Temperature	- 20°C ~ +80°C
Humidity	RH 85% Max No Condensation
Vibration	50 Hz / 98m/s <sup>2</sup> 1 h
Shock	294m/s <sup>2</sup> , 11ms X, Y, Z Each 3 times
Degree of Protection	IP50