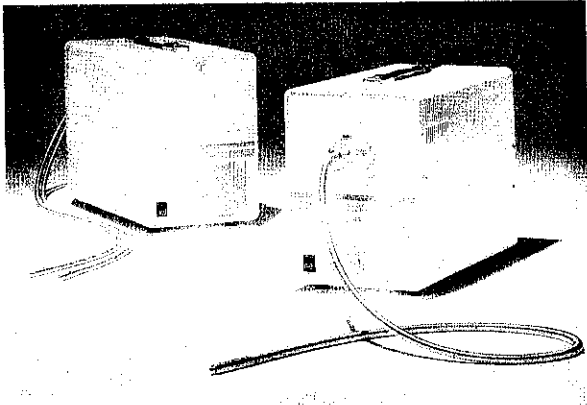




HAMAMATSU 浜松

獨家代理所有型號 UV 紫外光源器、配件和 X-光除靜電器及配件

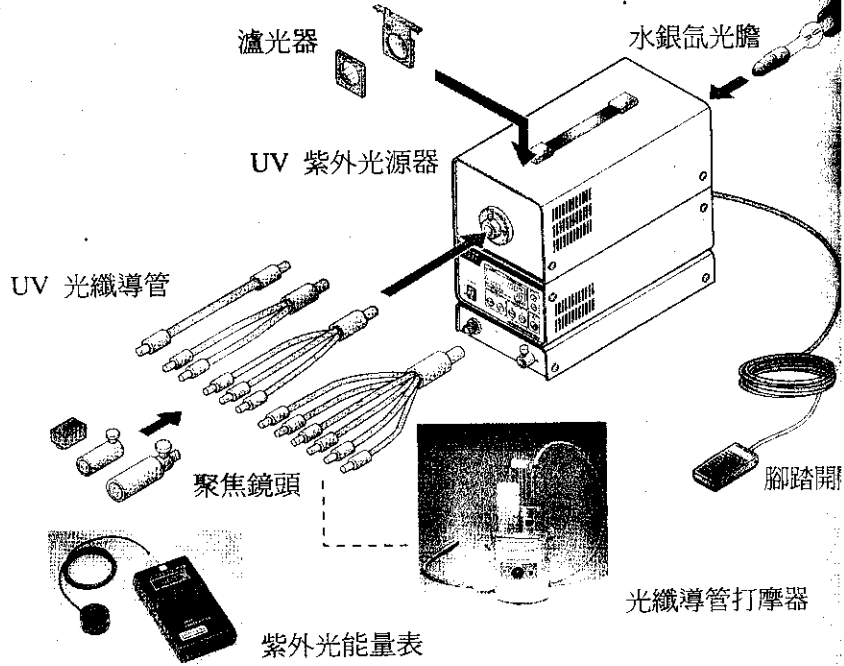
UV 紫外光源器



- 發出強勁紫外光3.500mW/cm²(240-450nm)
- 容易操作
- 紫外光膽保用3000小時
- 有不同光纖配合不同需要 (1出1至1出9)

用途：祇需數秒快速接合 (需配合紫外光膠水)
 產品：光頭接合CD, CD-R, CD-RW, DVD, LCD, 光纖連接組件DWDM, 噴墨盒等....

UV 紫外光源器配件



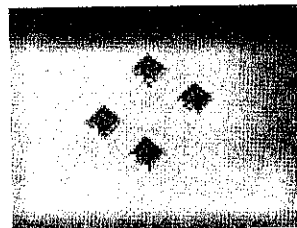
X-光除靜電器 PhotoIonizer ADVANCED ELECTROSTATIC REMOVER

使用Soft X-ray制做高密度負離子
 以除在生產過程中產生的靜電



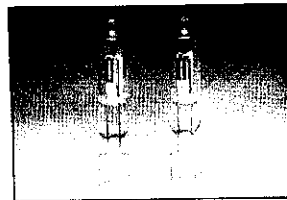
- 無風
- 專用於無塵生產上
- 無電磁噪音產生

紫外光傳感器



G5842 UV Sensor (SMD)
 紫外光傳感器 (貼片)
 光譜感應範圍 (λ): 260 至 400nm
 外型尺寸 (mm): 6.5x4.0x1.5
 產品特點: 品質可靠、低亮度、
 可用於窄光譜感應、價格優惠
 適用於紫外線量度計、氣象預報器
 分析儀及電子鐘錶等

火焰感應器



R2868 Flame Sensor UV Torn
 R2868 UV 火焰感應器
 光譜感應範圍 (λ): 185 至 260nm
 外型尺寸 (mm): Ø9.0x56.0
 產品特點: 對紫外線及火焰高感
 體積小、角度寬
 適用於火焰探測器和火警預報器

HAMAMATSU

TECHNICAL DATA

UV TRON® DRIVING CIRCUIT C3704 SERIES

Compact, Lightweight, Low Current Consumption, Low Cost Operates as High Sensitivity UV Sensor with UV TRON Suitable for Flame Detectors and Fire Alarms

Hamamatsu C3704 series UV TRON driving circuits are low current consuming, signal processing circuits for the UV TRON, well known as a high sensitivity ultraviolet detecting tube. The C3704 series can be operated as a UV sensor by connecting the UV TRON and applying DC low voltage, as they have both a high-voltage power supply and a signal processing circuit on the same printed circuit board.

Since background discharges of the UV TRON caused by natural excitation lights (such as a cosmic ray, scattered sunlight, etc.) can be cancelled in the signal processing circuit, the output signals from the C3704 series can be used without errors.

When the high sensitivity sensor "UV TRON R2868" (sold separately) is used, the flame from a cigarette lighter (flame length: 25mm) can be detected even from a distance of more than 5m.

APPLICATIONS

- Flame detectors for gas and oil lighters
- Fire alarms
- Combustion monitors for burners
- Electric spark detector
- UV photoelectric counter

SPECIFICATIONS

Dimensional outline..... Figure 1
 Weight..... Approx. 20 g
 Output signal..... Open Collector Output (50.V, 100 mA Max.)
 10 ms width pulse output (Note : 1)
 UV TRON supply voltage.....DC 350 V (Note : 2)
 Quenching time Approx. 50 ms
 Operating temperature -10 to +50°C
 (with no condensati n)
 Suitable UV TRON.....Low voltage operation UV TRON
 (such as R2868)

	C3704	C3704-02	C3704-03
Input Voltage	10to30 Vdc	5 Vdc \pm 5 %	6to9 Vdc
Current consumption	3 mA Max.	300 μ A Max.	300 μ A Max.

Note 1 : The output pulse width can be extended up to about 100s by adding a capacitor to the circuit board.

Note 2 : Since the output impedance of this power supply is extremely high, an ordinary voltmeter cannot be used. Use a voltmeter that has an input impedance of more than 10 G Ω .

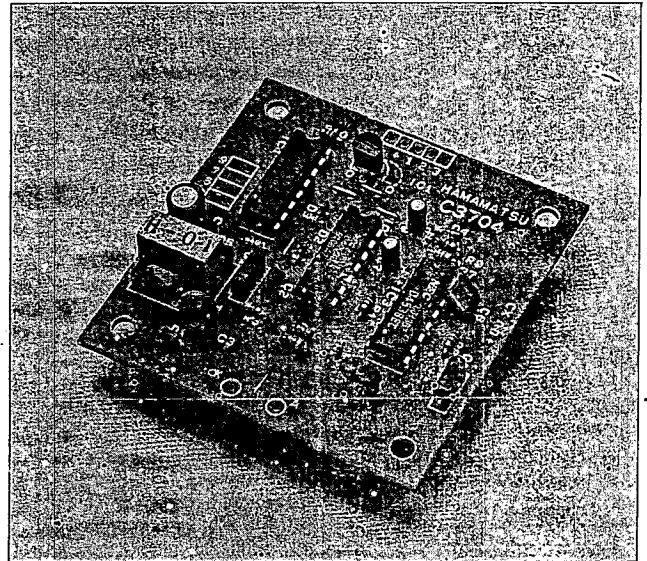


Figure 1 : Dimensional Outline (Unit : mm)

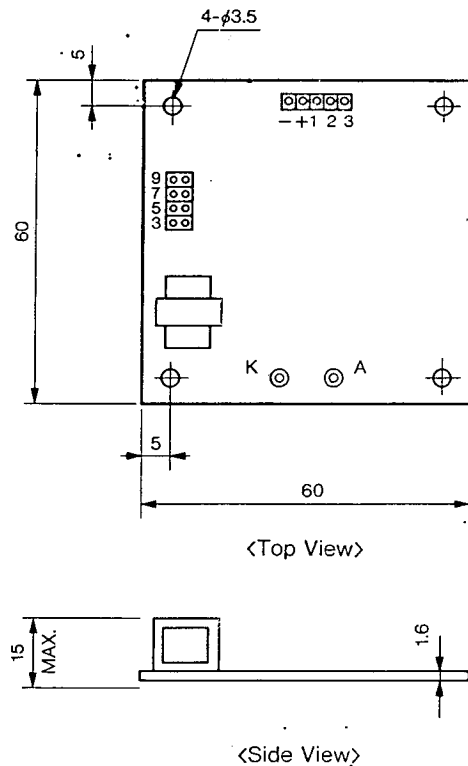


Figure 2 : Schematic Diagram

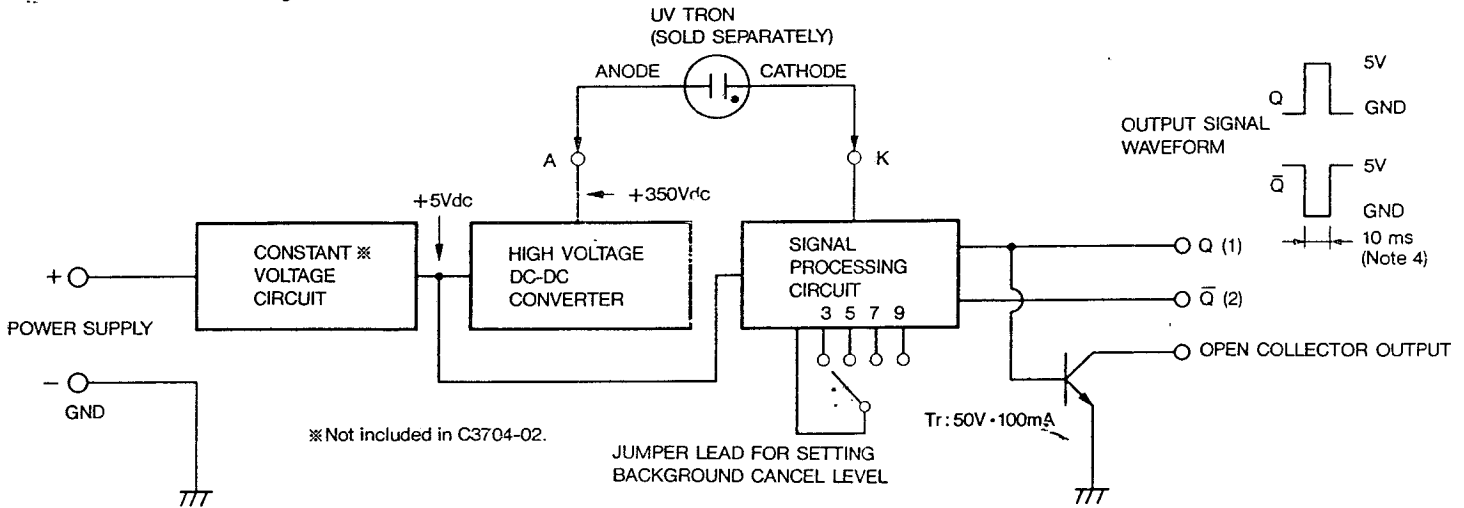
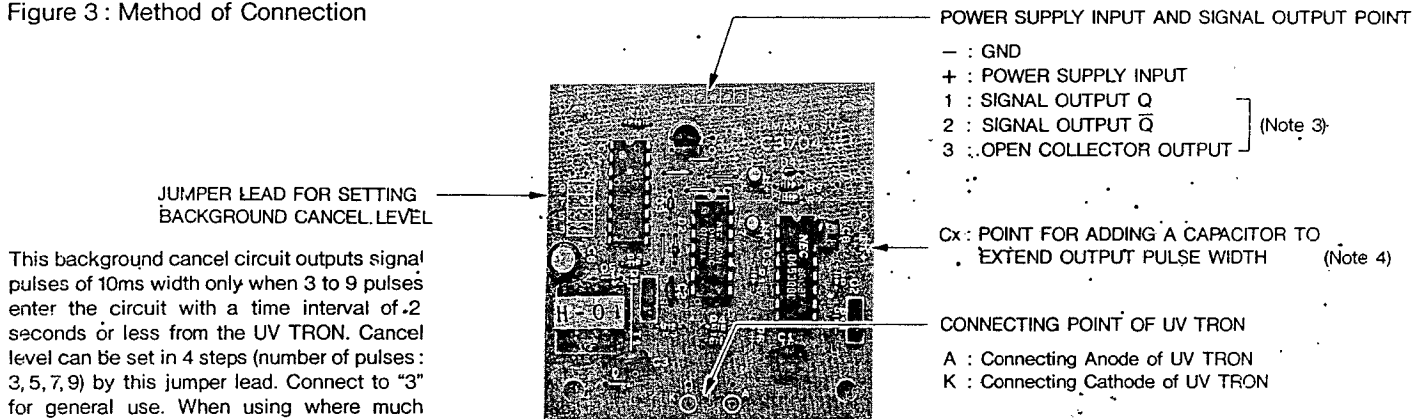


Figure 3 : Method of Connection



This background cancel circuit outputs signal pulses of 10ms width only when 3 to 9 pulses enter the circuit with a time interval of 2 seconds or less from the UV TRON. Cancel level can be set in 4 steps (number of pulses: 3, 5, 7, 9) by this jumper lead. Connect to "3" for general use. When using where much natural excitation light is present, set the cancel level at a higher step (5, 7, 9).

Note 3 : No load can be driven by an output from points "1" and "2" because these signals are output from the only C-MOS IC directly. When a load such as a buzzer and a relay is connected to this circuit, it should be connected to the point open collector output. The transistor ratings of the open collector is 50V, 100mA. Be careful not to exceed the ratings.

Note 4 : The output pulse width is set to 10ms at shipping. If the pulse width needs to be extended, add a capacitor to this point. (When using an electrolytic condenser, make sure the polarity is correct.)
 e.g. CX = 1 μF : Pulse Width ≈ 1s, CX = 10 μF : Pulse Width ≈ 10s

PRECAUTIONS FOR USE

- Since the operation impedance is extremely high, the UV TRON should be connected as close as possible to the circuit board within 5 cm.
- Take care to avoid external noise since a C-MOS IC is used in the circuit. It is recommended that the whole PC board be put in the shield box when it is used.
- To reduce current consumption, oscillating frequency is very low (approx. 20 Hz) in this DC-DC converter. Thus, the output impedance of the high voltage power supply is extremely high. If the surrounding humidity is high, electrical leakage on the PC board surface may lead to a drop in the supply voltage to the UV TRON. This voltage drop may result in lowered detection performance, so a moistureproof material (silicone compound, etc.) should be applied at the connecting point of the UV TRON, etc., if using the unit in a humid environment.

- A model equipped with a flame sensor (R2868) is also available.

HAMAMATSU

HAMAMATSU PHOTONICS K.K., Electron Tube Division
 314-5, Shimokanzo, Toyooka-village, Iwata-gun, Shizuoka-ken, 438-01 Japan, Telephone: 0539-62-5248, Fax: 0539-62-2205, Telex: 4289-625

U.S.A.: Hamamatsu Corporation: 360 Foothill Road, P.O. Box 6910, Bridgewater, N.J. 08807-0910, Telephone: 201-231-0960, Fax: 201-231-1539

W.Germany: Hamamatsu Photonics Deutschland GmbH: Arzbergerstr. 10, D-8036 Herrsching am Ammersee, Telephone: 08152-375-0, Fax: 08152-2658

United Kingdom: Hamamatsu Photonics UK Limited: Lough Point, 2 Gladbeck Way, Windmill Hill, Enfield, Middlesex EN2 7JA, England, Telephone: 01-367-3560, Fax: 01-367-6384

France: Hamamatsu Photonics France: Zone ORLYTECH - Bat. A3 - Allée du Cdt Mouchotte, 91550 PARAY VIEILLE POSTE, Telephone: (1) 49 75 56 80, Fax: (1) 49 75 56 87

North Europe: Hamamatsu Photonics Norden AB: Kanalvägen 20, S-194 61 Upplands Väsby, Sweden, Telephone: 0760/32190, Fax: 0760/94567

OCT/89 (Rev.)
 Supersedes FEE/89
 T-2000 Printed in Japan

Precautions Concerning Use

- ▶ The C3704 uses a C-MOS IC. Be very careful about external noise. It is recommended that the entire PC board be placed in a metal case.
- ▶ The DC-DC converter-type high-voltage power supply used in the C3704 has an extremely high output impedance. If the surrounding humidity is high, electrical leakage from the PC board surface may lead to a drop in the supply voltage to the UV TRON. This voltage drop may result in lowered detection performance, so a moistureproof material (silicon compound, etc.) should be applied to the UV TRON contact point if the unit is to be used in a humid environment.
- ▶ If there is oil or another substance on the glass surface of the UV TRON, the permeability of the ultraviolet light is decreased, lowering sensitivity. In this case, clean the surface carefully with a piece of gauze dipped in alcohol to remove any residue.
- ▶ The UV TRON is a precision component made of glass. Be careful to protect it with a buffering material against vibration or impact even after it has been assembled.

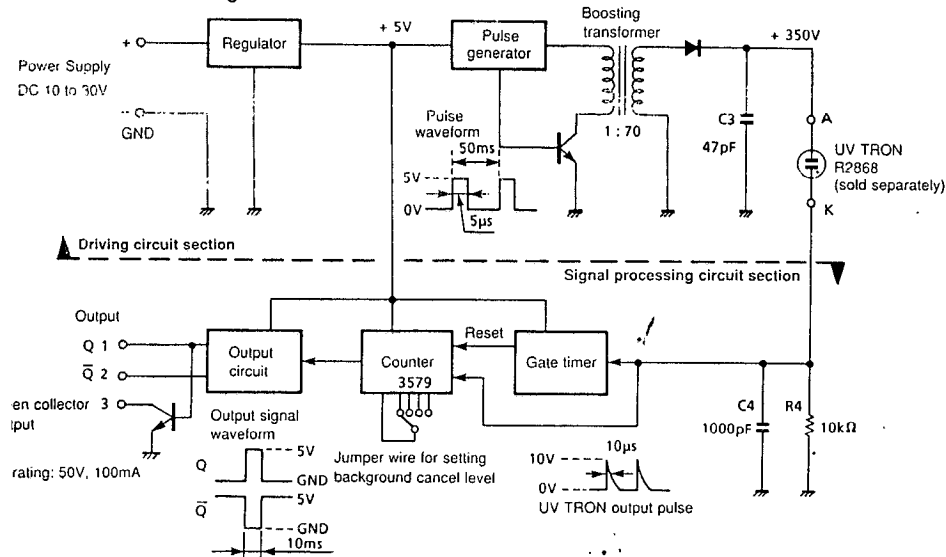
Warranty

The period of warranty is one year after the date of delivery. During this period, if any damage is judged to be the fault of Hamamatsu, the unit will be repaired or replaced at no charge. Damage occurring because of failure to follow the instructions in this manual, or if any unauthorized additions were made to the unit by the user, or damage resulting from natural disasters, will not be covered by this warranty.

After-Service

This unit was manufactured and inspected under the strictest quality conditions. In the rare event that damage should occur, please contact Hamamatsu directly (or arrange direct delivery of the unit to us). At that time, please describe the content of the breakdown or damage in as much detail as possible, and include the information with the product label.

Figure 8: C3704 Circuit Configuration



Information furnished by HAMAMATSU is believed to be reliable. However, no responsibility is assumed for possible inaccuracies or omissions. Specifications are subject to change without notice. No patent rights are granted to any of the circuits described herein.

HAMAMATSU

MATSU PHOTONICS K.K., Electron Tube Division
 5-1-1 Shimokanzo, Toyooka-ville, Iwata-gun, Shizuoka-ken, 438-01 Japan, Telephone: 053962/5248, Fax: 053962/2205, Telex: 4289-625
 Hamamatsu Corporation, 360 Foothill Road, P.O. Box 5910, Bridgewater, N.J. 08807-0910, Telephone: 201-231-0960, Fax: 201-231-1539
 Hamamatsu Photonics Deutschland GmbH, Arzbückerstr. 10, D-4036 Herrsching am Ammersee, Telephone: 08152-375-0, Fax: 08152-2658
 Hamamatsu Photonics UK Limited, Lough Point, 2 Gladbeck Way, Windmill Hill, Enfield, Middlesex EN2 7JA, England, Telephone: 01-367-3560, Fax: 01-367-6384
 Hamamatsu Photonics France, Orlytech - Bat A3, 3 Allée du Commandant-Mouchotte, 91550 Paray Vieille Poste, Telephone: (1) 49 75 56 80, Fax: (1) 49 75 56 87
 Hamamatsu Photonics Norden AB, Kanalvägen 20 6F, 194 61 Uplands Väsby, Sweden, Telephone: 0760/32190, Fax: 0760/94567

UV TRON® DRIVING CIRCUIT C3704 User's Manual

Thank you for purchasing the compact UV TRON driving circuit C3704. Before using your unit, please be sure to read this manual carefully to ensure correct operation.

1. FEATURES

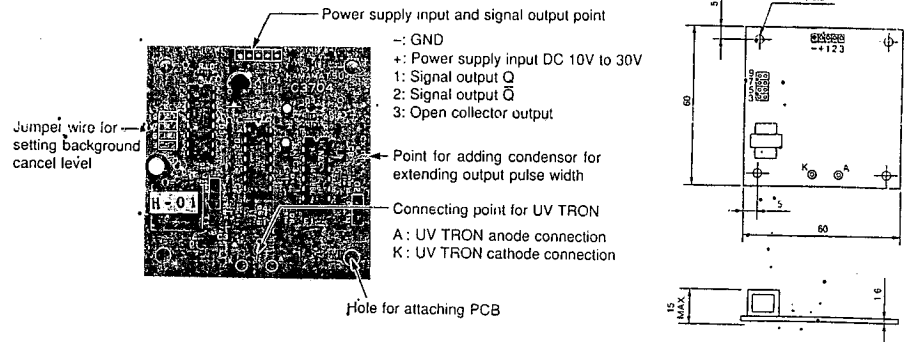
- By connecting the C3704 to a UV TRON (such as the R2868), it can be operated as a high-sensitivity ultraviolet sensor (as a flame detector for lighters, matches, etc. (flame length is about 25mm) at a distance of 5m or more).
- The circuit input stage is supplied with a constant-voltage IC, so that operation is possible over a wide range of power sources, from 10 to 30V.
- Employment of a UV TRON background cancelling circuit ensures error-free operation.

2. APPLICATIONS

- Flame detectors for lighters and matches
- Fire alarms
- Combustion monitors for burners
- Electrical discharge detection

3. EXTERIOR DIMENSIONS

Figure 1: Diagram of Dimensions (unit: mm)



4. SPECIFICATIONS

Dimensions	60 (W) x 60 (D) x 15 (H) mm
Weight	Approx. 20g
Input voltage	DC 10 to 30V
Current consumption	3mA typical (with DC 24V power source)
Signal output	Open collector output (30V, 100mA max.) 10ms pulse width (Note 1)
UV TRON applied voltage	DC 350V (Note 2)
Operating temperature range	-10 to +50°C (with no condensation)
Applicable UV TRONs	Types with discharge starting voltage of 300V or less (R2868, R1753-01, R259, etc.)

Note 1: By adding a condenser to the PCB, the output pulse width can be extended up to about 100 seconds. Refer to 6..Operation.

Note 2: Since the output impedance of the power source is extremely high, the voltage cannot be measured with an ordinary voltmeter. Use a measuring device with an input impedance of 10GΩ or more.

CONNECTIONS

1) Connecting the UV TRON

As shown in Figure 2, the UV TRON should either be soldered directly to the circuit board, or connected with a short lead wire of 5cm or less.

CAUTION

The UV TRON is a precision component made of glass. Be careful not to drop it or subject it to sharp impact, as this may cause a deterioration of its performance. Handle it very carefully.

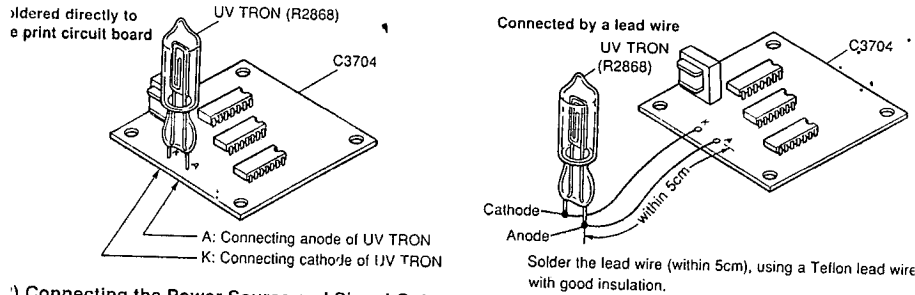
The UV TRON is a bipolar phototube. Be sure to connect it correctly, referring to the data sheet. Incorrect or reversed connections may lead to erroneous operation.

Soldering should be done quickly within 5 seconds, at 300°C or below. If too much heat is applied to the lead wire, the glass may crack, leading to deterioration of performance.

After soldering, excessive flux should be removed with alcohol. If any dirt or flux remains, humidity may cause an electrical leak, resulting in a voltage drop to the UV TRON. This could cause a decrease in sensitivity and a loss of operation.

It should be noted that the glass may be broken if the UV TRON lead wire is installed with too much force. When bending the lead wire, fix the end of the wire on the glass side with pliers to prevent force from being applied onto the glass.

Figure 2: Connecting the UV TRON



2) Connecting the Power Source and Signal Output

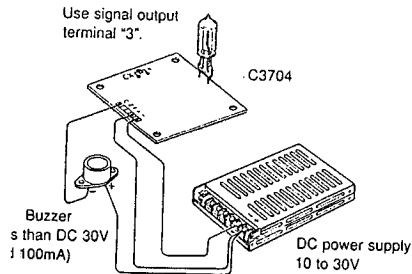
Refer to figure 3, 4 or 5, depending on your purpose, for connecting the power source and signal output.

CAUTION

It is very important not to reverse the + and - terminals of the power source. If they are connected in reverse, the IC in the circuit may be damaged, making operation impossible.

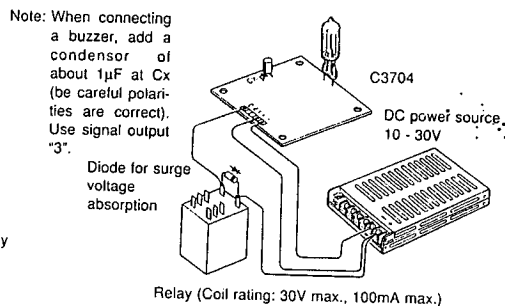
Signal outputs 1 and 2 are output directly by the C-MOS IC. If the GND and power source are accidentally shorted, the IC in the circuit may be damaged, making operation impossible.

Figure 3: When Connecting a Buzzer



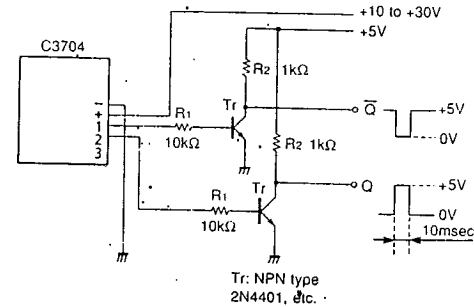
The buzzer sounds when ultraviolet light enters the unit. The length of time for which the buzzer sounds can be extended by adding a condenser at Cx on the PCB. See Figure 6.)

Figure 4: When Connecting a Relay



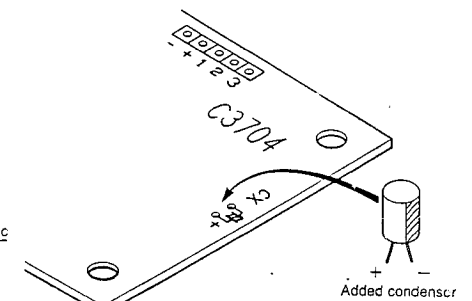
Note: No surge voltage protector circuit is added to the output transistor of the C3704. When connecting an inductive charge such as a relay, connect a surge voltage absorption diode to both ends of the relay coil, as shown in the illustration. (Be careful not to reverse the polarities.)

Figure 5: Connecting a TTL IC



Note: Q and Q-bar are reversed when the Tr is introduced.

Figure 6: Adding a Condenser to Extend the Output Pulse Width



Note: Electrolytic condensers are bipolar. When attaching this kind of condenser, connect the + side of the condenser to the + mark on the PCB.

6. Operation

Operation of the C3704 will be explained assuming the UV TRON is an R2868. When another UV TRON is used, operation is basically the same, but since the sensitivity level differs depending on the UV TRON used, detection times may vary also. For details, please refer to the data sheet.

Operation is explained in the order shown on the Time Chart in Figure 7.

- ① If ultraviolet light is introduced into the UV TRON, a pulse width of 10μs is output. The generated frequency of this signal pulse varies depending on the amount of incident ultraviolet light.
- ② Also, when no ultraviolet light is present, sporadic pulses ranging from several times to several tens of times per hour are generated by cosmic rays, static electricity, etc. This is called background (BG).
- ③ The pulse waveforms of the signal and the BG are exactly the same, making it impossible to differentiate between them. Because of this, the generated frequency of the pulse is carefully observed to distinguish the signal from the BG, and the BG only is cancelled. (If the signal pulse of the UV TRON is directly output, erroneous operation may result, depending on the BG. It is necessary to have a means of differentiating the BG from the signal of the incident ultraviolet light, to extract only the signal.)

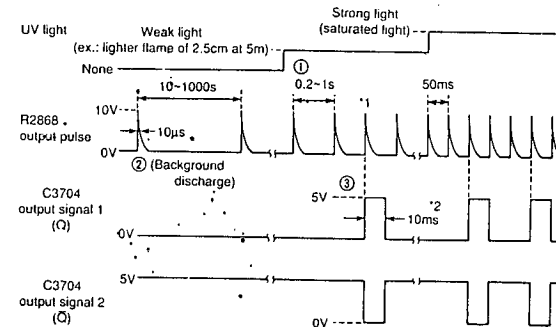
The BG cancel circuit of the C3704 outputs signal pulses of 10ms width only when three consecutive pulses (*1) enter the circuit with a time interval of 2 seconds or less from the UV TRON.

*1: The number of pulses can be specified in four stages, 3, 5, 7, and 9, by means of a jumper wire on the circuit board.

This is set to "3" at the time of shipping, but if there is too much background, the cancel background can be set to a higher level (5, 7, 9).

*2: The pulse width can be extended by adding a condenser to the Cx terminal on the circuit board. See Figure 6. (For example: Cx = 1μF Pulse width = approx. 1 second, Cx = 10μF Pulse width = approx. 10 seconds)

Figure 7: Operation Time Chart for the C3704 and R2868



For more detailed information regarding the UV TRON, please feel free to request the technical data sheets and catalogs available from Hamamatsu.

欢迎索取免费详细资料、设计选型指南和光盘、样品；产品繁多未能尽录，欢迎来电查询。

[中国传感器科技信息网：HTTP://WWW.SENSOR-IC.COM/](http://WWW.SENSOR-IC.COM/)

[工控安防网：HTTP://WWW.PC-PS.NET/](http://WWW.PC-PS.NET/)

[消费电子专用电路网：HTTP://WWW.SUNSTARE.COM/](http://WWW.SUNSTARE.COM/)

E-MAIL：xjr5@163.com szss20@163.com

MSN：suns8888@hotmail.com

QQ：195847376

地址：深圳市福田区福华路福庆街鸿图大厦 1602 室

电话：0755-83376549 83376489 83387030 83387016

传真：0755-83376182 83338339 邮编：518033 手机：(0)13902971329

深圳展销部：深圳华强北路赛格电子市场 2583 号 TEL/FAX：
0755-83665529 25059422

北京分公司：北京海淀区知春路 132 号中发电子大厦 3097 号

TEL：010-81159046 82615020 13501189838 FAX：010-82613476

上海分公司：上海市北京东路 668 号上海赛格电子市场 2B35 号

TEL：021-28311762 56703037 13701955389 FAX：021-56703037

西安分公司：西安高新开发区 20 所(中国电子科技集团导航技术研究所)
西安劳动南路 88 号电子商城二楼 D23 号

TEL：029-81022619 13072977981 FAX:029-88789382

成都：TEL:(0)13717066236

技术支持：0755-83394033 13501568376