

Giant Magneto Resistive Position Sensor Version 2.0

GMR B6

This angle sensor is based on the Giant Magneto Resistive (GMR) technology. It is outstanding for the huge tolerances it offers to the user in assembly.

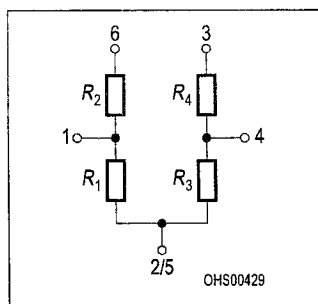
Features

- GMR sensor in SMD package
- **Sensitive to the direction**, not to the intensity of the magnetic field
- Constant T_C of basic resistance R and magneto resistance ΔR

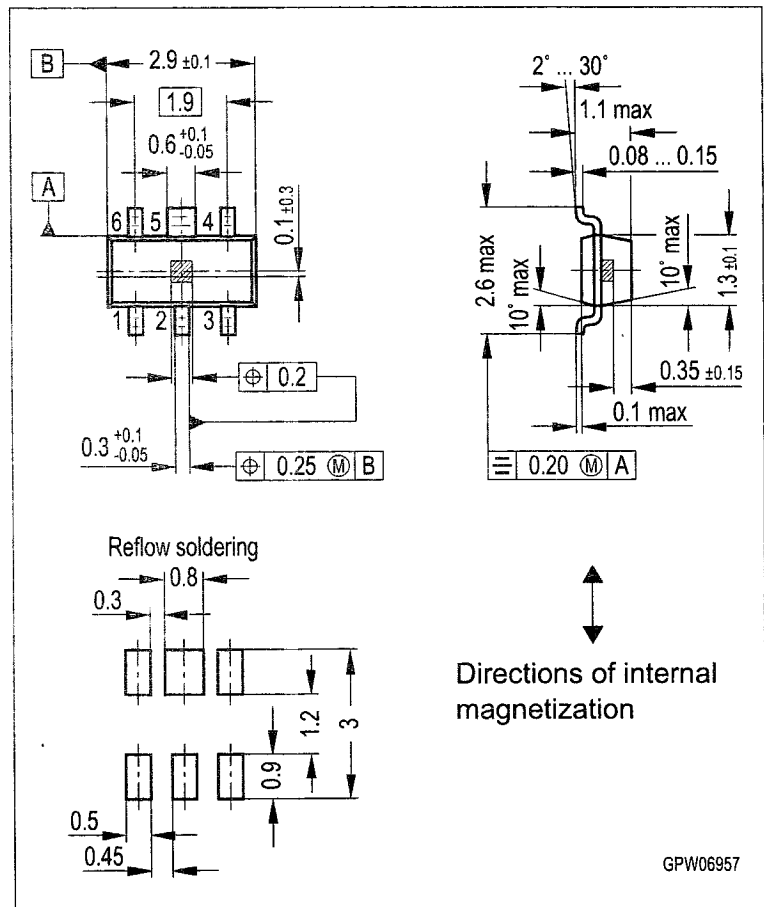
Applications

- Rotation and linear sensing with large airgaps
- Angle encoders
- Contactless potentiometers
- Incremental encoders

Pin Configuration



6, 3	supply
5 (= 2)	ground
1, 4	GMR bridge access



Dimensions in mm

Type	Marking	Ordering Code
GMR B6	B	Q62705-K5004

The GMR B6 is an angle sensor based on sputtered metallic multilayer technology. 4 resistors are monolithically integrated on 1 chip. They can be used as a fullbridge or, if 2 external resistors are added, as 2 halfbridges. The outstanding feature of this magnetic sensor is the fact, that it is sensitive to the orientation of the magnetic field and not to its intensity as long as the field is in a range between 5 ... 15 kA/m. This means, the signal output of this sensor is independent of the sensor position relative to the magnet in lateral, axial or rotational direction in the range of several millimeters. Optimum results are achieved by using magnetic targets like permanent magnets or magnetic pole-wheels. There is no need for a biasing magnet! Due to the linear change of both, basic and field dependent part of the resistance vs. temperature, simple and efficient electronic compensation of $T_C (R, \Delta R)$ is possible.

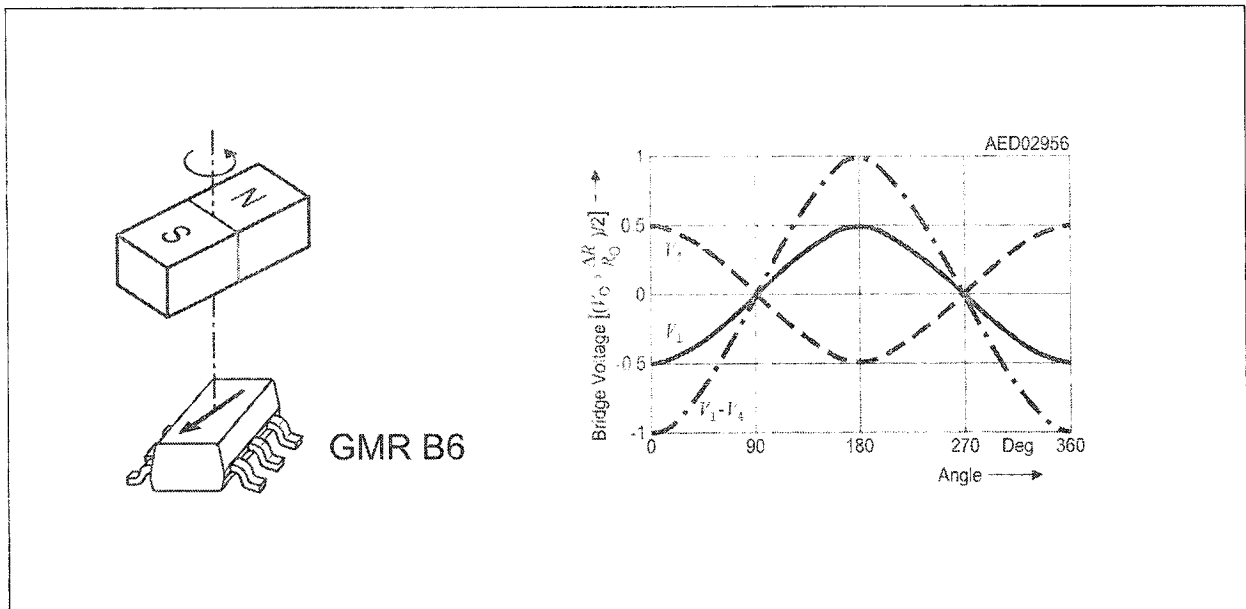


Figure 1
Output Voltage of Half Bridges (V_1 , V_4) and Full Bridge ($V_4 - V_1$) as a Function of the Magnetic Field Orientation

Maximum Ratings

Parameter	Symbol	Value	Unit
Operating temperature	T_A	- 40 ... + 150	°C
Storage temperature	T_{stg}	- 50 ... + 150	°C
Supply voltage	V_1	7	V
Thermal conductivity	G_{thC} A	> 4	mW/K
Magnetic field ¹⁾	H_{rot}	< 15	kA/m

¹⁾ larger fields may reduce the magnetoresistive effect irreversibly

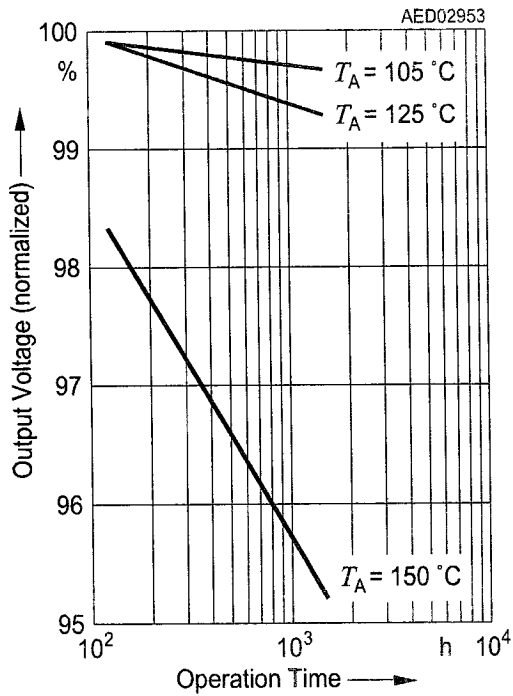
Characteristics ($T_A = 25\text{ °C}$)

Parameter	Symbol	Value	Unit
Nominal supply voltage	V_{1N}	5	V
Basic resistance	R_0	> 700	Ω
Magnetoresistive effect $H_{rot} = 5 \dots 15$ kA/m	$\Delta R/R_0$	> 4	%
Output signal fullbridge @ $V_{1N} = 5$ V	V_{OUT}	> 200	mV
Offset voltage @ $V_{1N} = 5$ V	$ V_{0l} $	< 8	mV
Temperature coefficient of basic resistance	TC_{R0}	+ 0.09 ... + 0.12	%/K
Temperature coefficient of magnetoresistance	$TC_{\Delta R}$	- 0.12 ... - 0.09	%/K
Temperature coefficient of magnetoresistive effect	$TC_{\Delta R/R_0}$	- 0.27 ... - 0.23	%/K

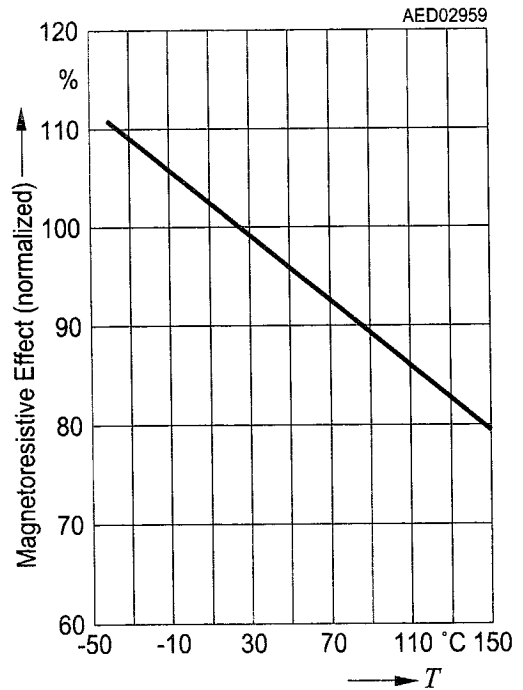
Application Hints

The application mode of the GMR position sensor is preferably as a bridge or halfbridge circuit. In every case this type of circuit compensates for the T_C of the resistance value R_0 . To compensate for the T_C of the GMR effect $\Delta R/R_0$, if there is the necessity, is left to the application circuit and can be done for example with a NIC circuit. When operated over a complete 360° turn, a total signal of ≈ 20 mV/V is achieved at 25 °C with a halfbridge. The output signal is doubled to of ≈ 40 mV/V when a fullbridge circuit is used. In the case of linear position sensing, the electrical circuit remains unchanged.

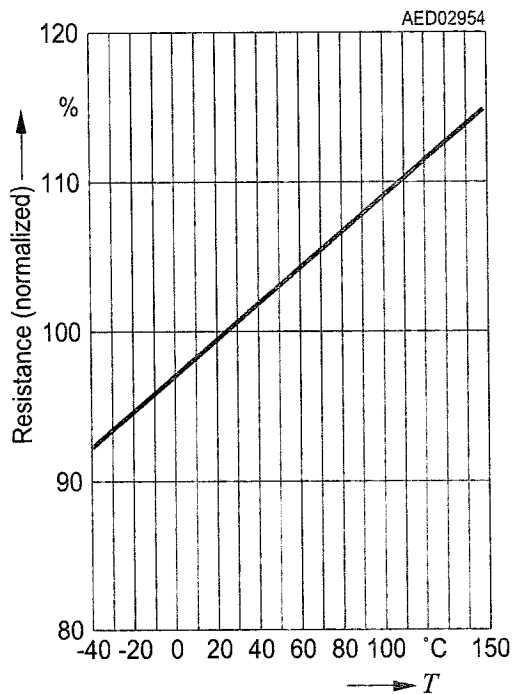
Output Voltage Degradation (typical) at high Temperature Operation



Magnetoresistive Effect (typical) versus Temperature $\Delta R/R_0 = f(T_A)$



Basic Resistance (typical) versus Temperature $R_0 = f(T_A)$



欢迎索取免费详细资料、设计选型指南和光盘、样品；产品繁多未能尽录，欢迎来电查询。

[中国传感器科技信息网：HTTP://WWW.SENSOR-IC.COM/](http://WWW.SENSOR-IC.COM/)

[工控安防网：HTTP://WWW.PC-PS.NET/](http://WWW.PC-PS.NET/)

[消费电子专用电路网：HTTP://WWW.SUNSTARE.COM/](http://WWW.SUNSTARE.COM/)

E-MAIL：xjr5@163.com szss20@163.com

MSN：suns8888@hotmail.com

QQ：195847376

地址：深圳市福田区福华路福庆街鸿图大厦 1602 室

电话：0755-83376549 83376489 83387030 83387016

传真：0755-83376182 83338339 邮编：518033 手机：(0)13902971329

深圳展销部：深圳华强北路赛格电子市场 2583 号 TEL/FAX：
0755-83665529 25059422

北京分公司：北京海淀区知春路 132 号中发电子大厦 3097 号

TEL：010-81159046 82615020 13501189838 FAX：010-82613476

上海分公司：上海市北京东路 668 号上海赛格电子市场 2B35 号

TEL：021-28311762 56703037 13701955389 FAX：021-56703037

西安分公司：西安高新开发区 20 所(中国电子科技集团导航技术研究所)
西安劳动南路 88 号电子商城二楼 D23 号

TEL：029-81022619 13072977981 FAX:029-88789382

成都：TEL:(0)13717066236

技术支持：0755-83394033 13501568376