

IC TYPE REED RELAY

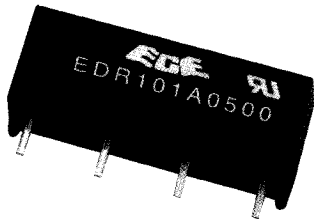
EDR SERIES



EDR SERIES IC TYPE REED RELAY

RU E155181(R)

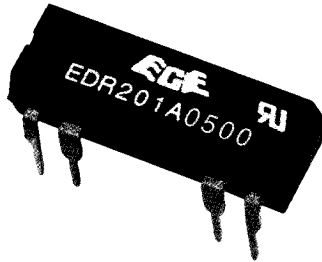
EDR-SIP TYPE (00:PIN OUT 1357)



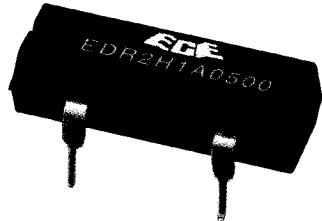
(50:PIN OUT 1267)



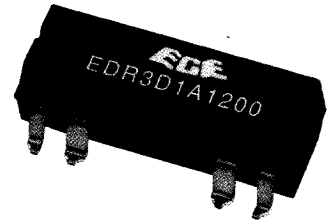
EDR-DIP TYPE



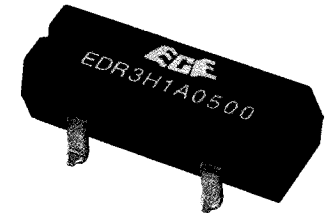
HIGH INSULATION DIP TYPE



EDR-SMD TYPE



HIGH INSULATION SMD TYPE



FEATURES

- 1-1. Miniature, cost-effective switching solution.
- 1-2. Molded construction for compatibility with automatic board processing.
- 1-3. Completely washable.
- 1-4. Dip type construction with the same terminal pitch as ICs or TTLs.
- 1-5. The high sensitivity allows direct driving by TTL, etc..
- 1-6. Magnetic shield cover is available.

PART NUMBERING SYSTEM

EDR 1 0 1A 05 00

Special code:00~99
 00:pin out 1357
 50:pin out 1267
 Nominal voltage:
 05:5VDC 12:12VDC
 24:24VDC
 Contact form:
 1A:open type, 1 form A
 Function
 0:normal function
 D:with diode type
 Type: 1:SIP type
 Series name

EDR 2 0 1A 05 00

Special code:00~99
 Nominal voltage:
 05:5VDC 12:12VDC
 24:24VDC
 Contact form:
 1A:open type, 1 form A
 2A:open type, 2 form A
 1B:close type, 1 form B
 1C:1 open 1 close type,
 1 form C
 Function
 0:normal function
 D:with diode type
 H:high insulation
 Type: 2:DIP type
 3:SMD type
 Series name

SPECIFICATIONS**COIL RATING**

Contact Form	Nominal Voltage(VDC)	Max. Operate Voltage(VDC)	Pull-in Voltage(VDC)	Dropout Voltage(VDC)	※Coil Resistance(Ω)	Nominal Input Power(mW)
1A	5	16	3.75	0.8	500±10%	50
	12	20	9.00	1.0	1000±10%	144
	24	32	18.00	2.0	2150±10%	268
2A	5	11	3.75	0.8	140±10%	179
	12	20	9.00	1.0	500±10%	288
	24	32	18.00	2.0	2150±10%	268
1B	5	6	3.75	0.8	500±10%	50
	12	14.5	9.00	1.0	1000±10%	144
	24	29	18.00	2.0	2150±10%	268
1C	5	11	3.75	0.8	200±10%	125
	12	20	9.00	1.0	500±10%	288
	24	32	18.00	2.0	2150±10%	268

※Special design are available on request.

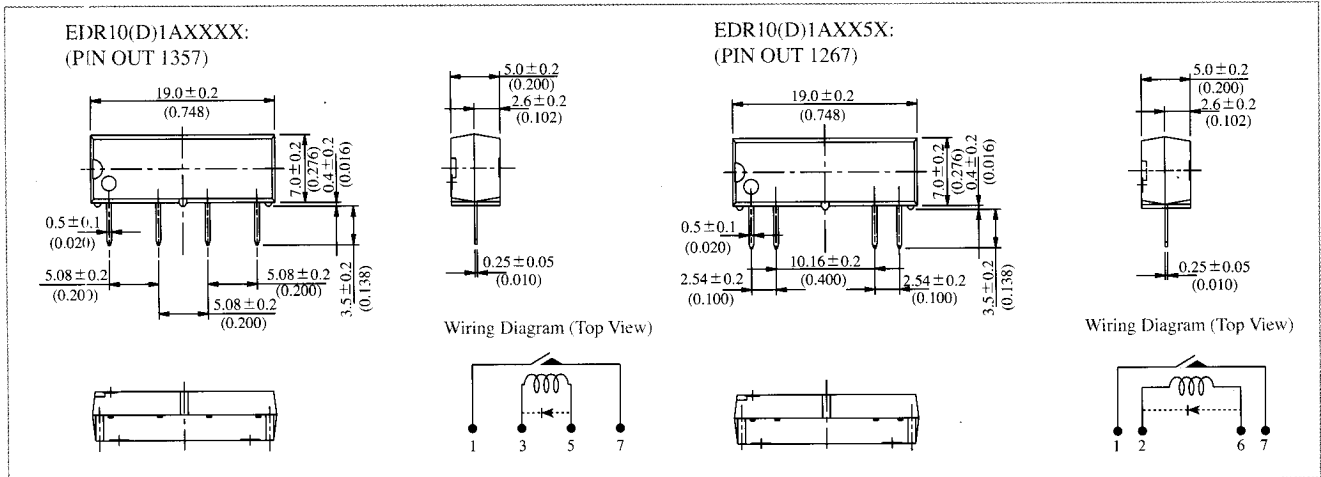
CONTACT RATING

Contact Form		1A	2A	1B	1C
Switching current		0.5 ADC Max.	0.5 ADC Max.	0.5 ADC Max.	0.2 ADC Max.
Carry current		1.0 ADC Max.	1.0 ADC Max.	1.0 ADC Max.	0.5 ADC Max.
Switching power		10 VA Max.	10 VA Max.	10 VA Max.	3 VA Max.
Electrical life		1x10 ⁸ (Ref 10VDC, 10mA)	1x10 ⁸ (Ref 10VDC, 10mA)	1x10 ⁸ (Ref 10VDC, 10mA)	5x10 ⁷ (Ref 5VDC, 1mA)
Contact resistance		150 mΩ Max.	150 mΩ Max.	150 mΩ Max.	150 mΩ Max.
Operate time		1.0 ms Max. (including bounce time)	1.0 ms Max. (including bounce time)	1.0 ms Max. (including bounce time)	1.5 ms Max. (including bounce time)
Release time		0.5 ms Max.	0.5 ms Max.	0.5 ms Max.	2.0 ms Max.
Maximum voltage		100 VDC Max.	100 VDC Max.	100 VDC Max.	30 VDC Max.
Insulation resistance		10 ¹⁰ Ω Min. (at 100 VDC)	10 ¹⁰ Ω Min. (at 100 VDC)	10 ¹⁰ Ω Min. (at 100 VDC)	10 ⁹ Ω Min. (at 100 VDC)
Dielectric strength	Coil to contact	1400VDC Min.(General) 4000VDC Min.(High insulation)	1400 VDC Min.	1400 VDC Min.	1400 VDC Min.
	Across contacts	250 VDC Min.	250 VDC Min.	250 VDC Min.	150 VDC Min.
Temperature range	Operating temperature	-40°C~+85°C	-40°C~+85°C	-40°C~+85°C	-40°C~+85°C
	Storage temperature	-55°C~+125°C	-55°C~+125°C	-55°C~+125°C	-55°C~+125°C
Shock resistance		30G Min.	30G Min.	30G Min.	30G Min.

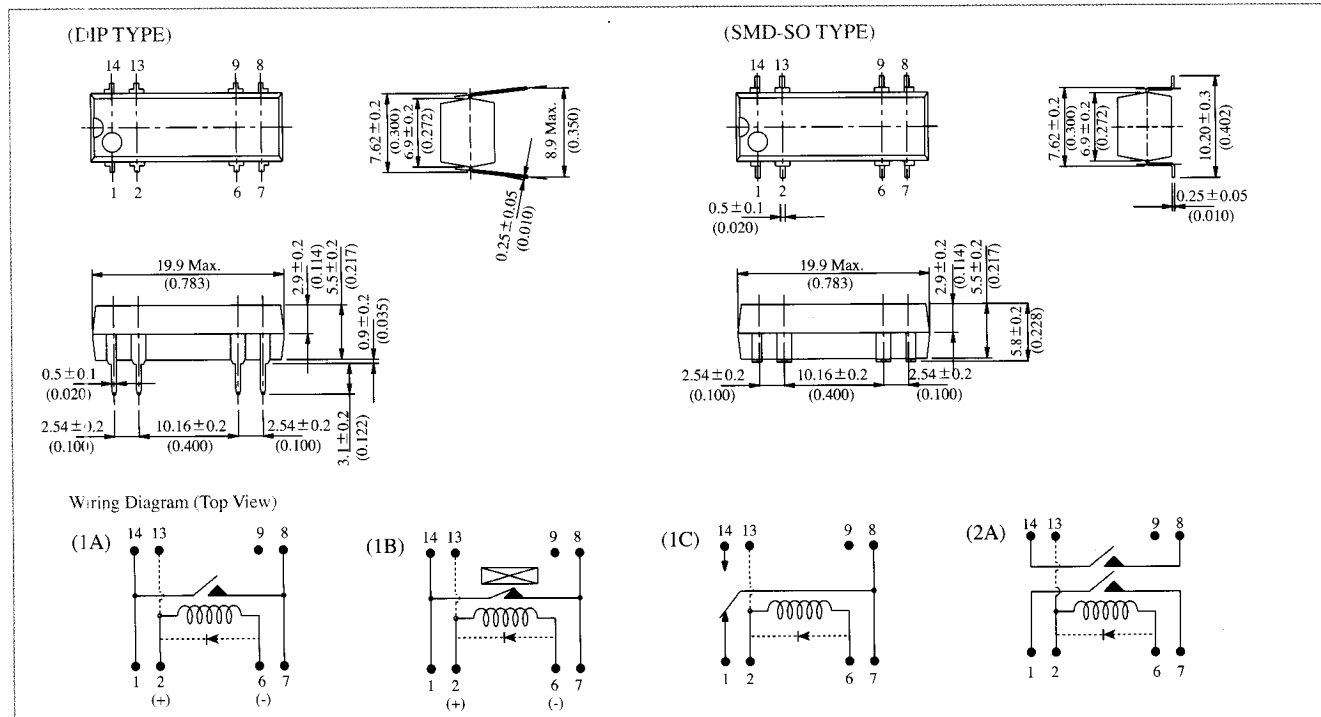
DIMENSIONS

UNIT:mm(inch)

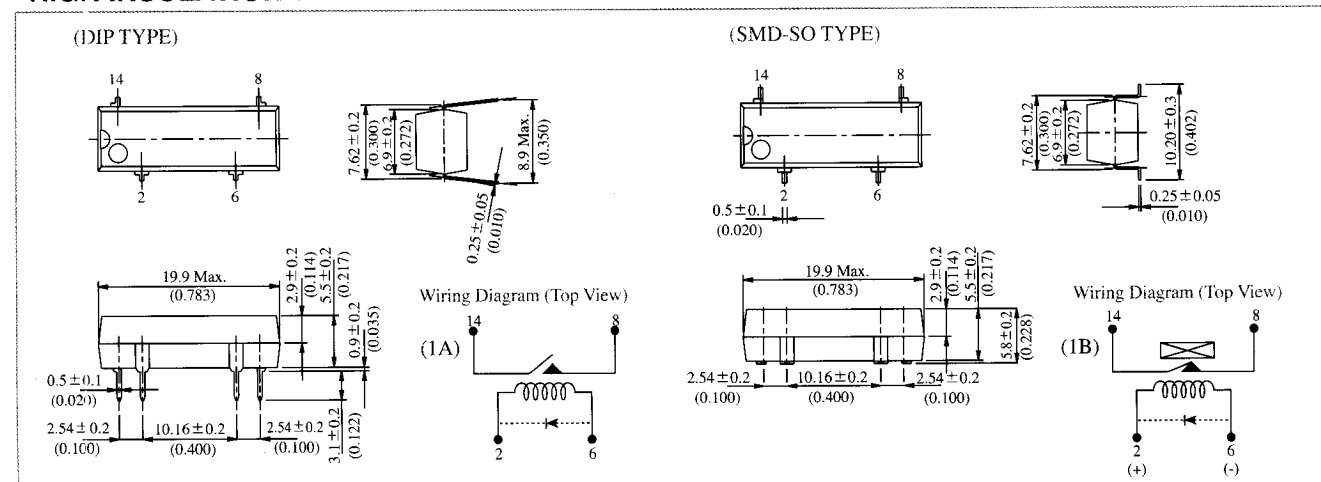
SIP TYPE



DIP TYPE / SMD TYPE



HIGH INSULATION TYPE



IC TYPE

欢迎索取免费详细资料、设计选型指南和光盘、样品；产品繁多未能尽录，欢迎来电查询。

[中国传感器科技信息网：HTTP://WWW.SENSOR-IC.COM/](http://WWW.SENSOR-IC.COM/)

[工控安防网：HTTP://WWW.PC-PS.NET/](http://WWW.PC-PS.NET/)

[消费电子专用电路网：HTTP://WWW.SUNSTARE.COM/](http://WWW.SUNSTARE.COM/)

E-MAIL：xjr5@163.com szss20@163.com

MSN：suns8888@hotmail.com

QQ：195847376

地址：深圳市福田区福华路福庆街鸿图大厦 1602 室

电话：0755-83376549 83376489 83387030 83387016

传真：0755-83376182 83338339 邮编：518033 手机：(0)13902971329

深圳展销部：深圳华强北路赛格电子市场 2583 号 TEL/FAX：
0755-83665529 25059422

北京分公司：北京海淀区知春路 132 号中发电子大厦 3097 号

TEL：010-81159046 82615020 13501189838 FAX：010-82613476

上海分公司：上海市北京东路 668 号上海赛格电子市场 2B35 号

TEL：021-28311762 56703037 13701955389 FAX：021-56703037

西安分公司：西安高新开发区 20 所(中国电子科技集团导航技术研究所)
西安劳动南路 88 号电子商城二楼 D23 号

TEL：029-81022619 13072977981 FAX:029-88789382

成都：TEL:(0)13717066236

技术支持：0755-83394033 13501568376