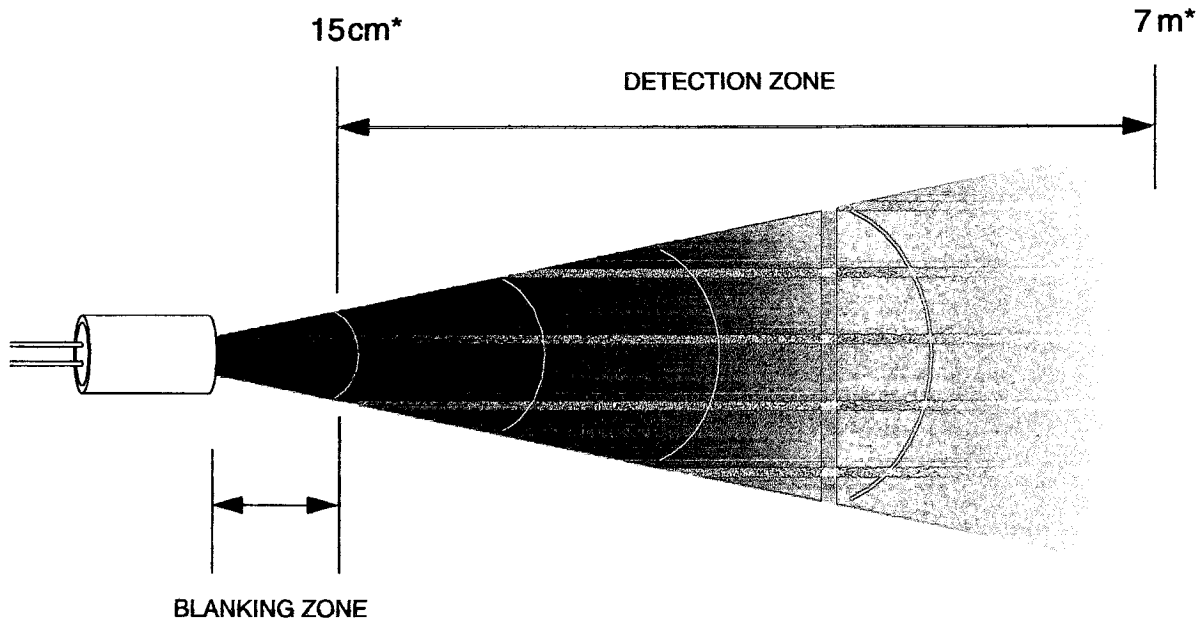
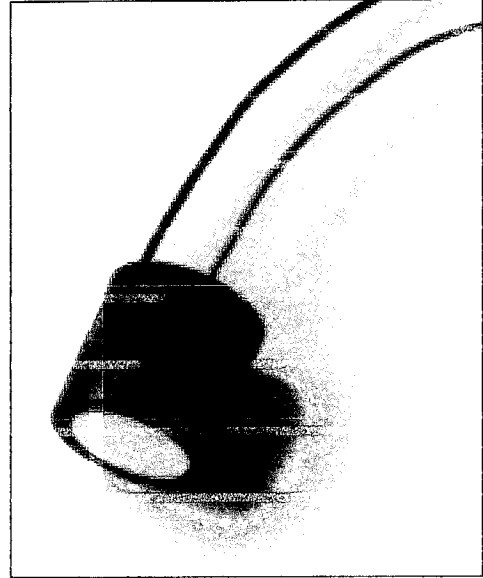


SC0027

Sense's 125kHz ultrasonic transducer offers a detection range of up to 7 meters. Recommended for echo ranging, proximity sensing, object detection, and other medium range process control applications. Fully sealed in a durable polyester housing.



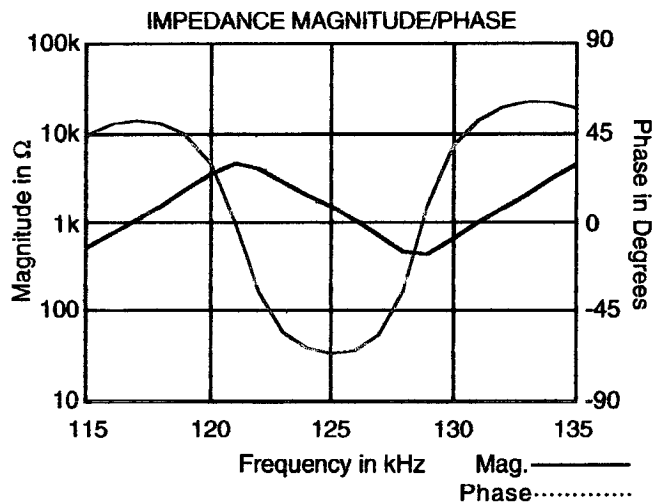
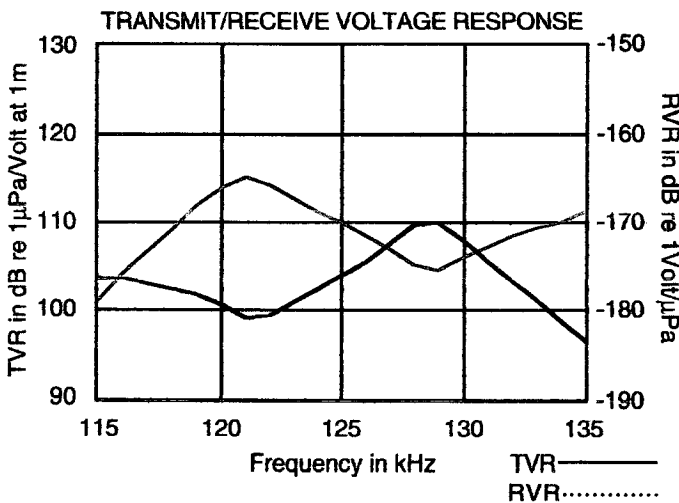
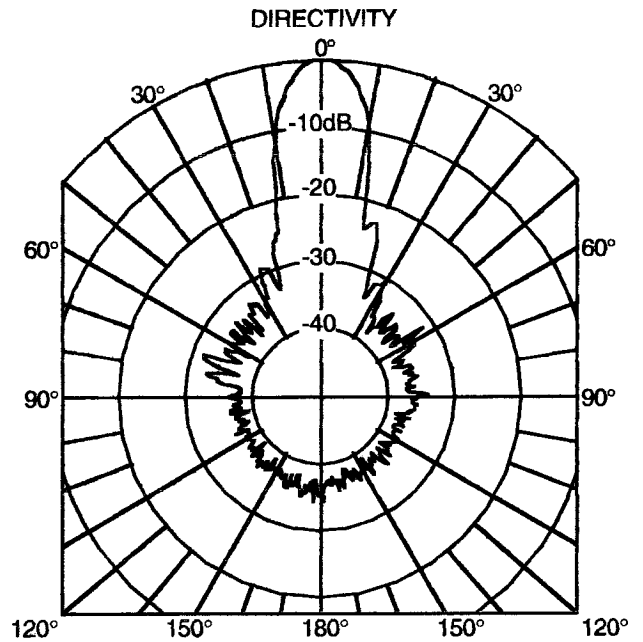
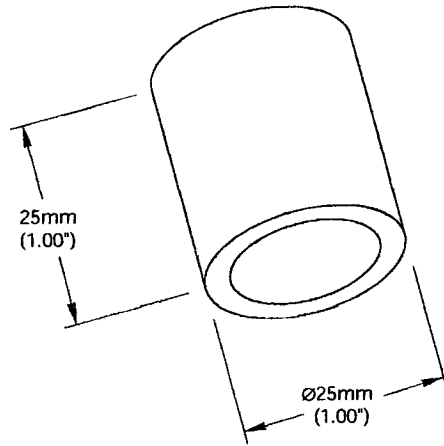
* Pulse-Echo Mode
Actual range may vary, depending on drive circuitry and signal processing

SENSE
Technics GmbH

17-204-01 Rev. 03-A

SPECIFICATIONS:

- Best Operating Frequency: 125kHz +/- 4%
- Min. Transmit Sensitivity: 107dB re 1 μ Pa/V at 1m at best transmit frequency
- Min. Receive Sensitivity: -169dB re 1V/ μ Pa at best receive frequency
- Min. Parallel Resistance: 420 Ω +/- 30%
- Free (1kHz) Capacitance: 1000pF +/- 200pF
- Beamwidth (-3dB full angle): 12° +/- 2°
- Maximum Driving Voltage: 800V_{pp} (2% duty cycle tone burst)
- Operating Temperature: -40°C to 90°C
- Weight: 20g
- Materials:
 - Housing: Glass filled polyester
 - Acoustic Window: Glass reinforced epoxy
- All specifications typical at 22°C and subject to change without notice.



SENSE

Technics GmbH

17-204-01 Rev. 03-A

深圳市商斯达实业有限公司荣誉出品

欢迎索取免费详细资料、设计选型指南和光盘、样品；产品繁多未能尽录，欢迎来电查询。

[中国传感器科技信息网：HTTP://WWW.SENSOR-IC.COM/](http://WWW.SENSOR-IC.COM/)

[工控安防网：HTTP://WWW.PC-PS.NET/](http://WWW.PC-PS.NET/)

[消费电子专用电路网：HTTP://WWW.SUNSTARE.COM/](http://WWW.SUNSTARE.COM/)

E-MAIL：xjr5@163.com szss20@163.com

MSN：suns8888@hotmail.com

QQ：195847376

地址：深圳市福田区福华路福庆街鸿图大厦 1602 室

电话：0755-83376549 83376489 83387030 83387016

传真：0755-83376182 83338339 邮编：518033 手机：(0)13902971329

深圳展销部：深圳华强北路赛格电子市场 2583 号 TEL/FAX：
0755-83665529 25059422

北京分公司：北京海淀区知春路 132 号中发电子大厦 3097 号

TEL：010-81159046 82615020 13501189838 FAX：010-82613476

上海分公司：上海市北京东路 668 号上海赛格电子市场 2B35 号

TEL：021-28311762 56703037 13701955389 FAX：021-56703037

西安分公司：西安高新开发区 20 所(中国电子科技集团导航技术研究所)

西安劳动南路 88 号电子商城二楼 D23 号

TEL：029-81022619 13072977981 FAX:029-88789382

成都：TEL:(0)13717066236

技术支持：0755-83394033 13501568376