



鹰眼

倒车距离感应器

Car backup alarm system

请仔细阅读安装说明书

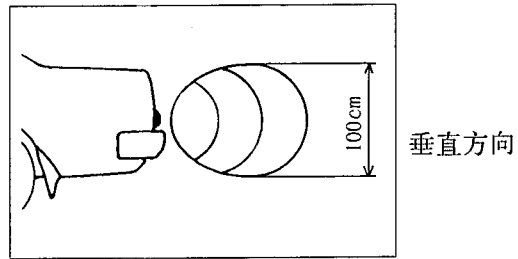
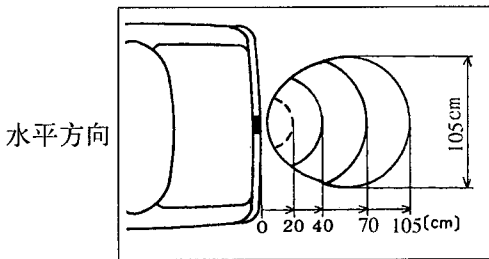
倒车距离感应器能及时提醒司机在倒车时车后障碍距离。距离越近，报警声越急促，以三种不同的警示音提示驾驶者车尾障碍距离。

一、特点

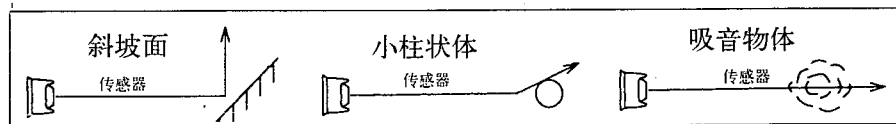
- ①四个感应器：减少盲区，安全可靠。
- ②开机自检：嘀一声表示工作正常。
- ③电压：DC-12V（24 V可选）。
- ④工作温度：0-70°C。
- ⑤单头探测范围

障碍距离	警告声
105cm ~ 70cm	嘀... 嘀... 嘀 (长音)
70cm ~ 40cm	嘀.. 嘀.. 嘀 (短促音)
40cm ~ 20cm	嘀嘀嘀 (连续音)

* 障碍物与汽车距离小于 20cm 将难于测到。



⑥下列物体会影响探测效果



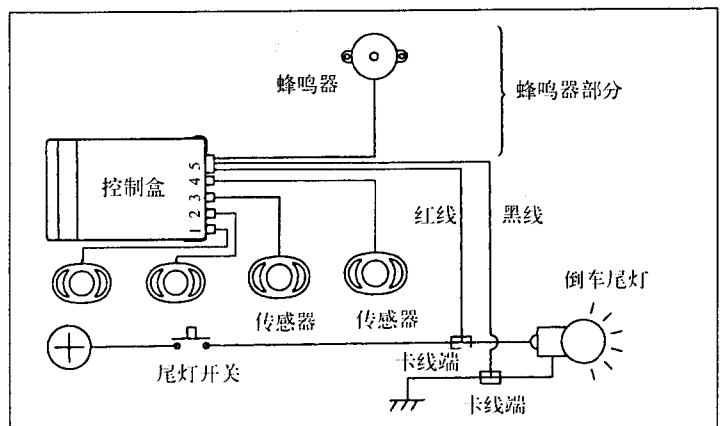
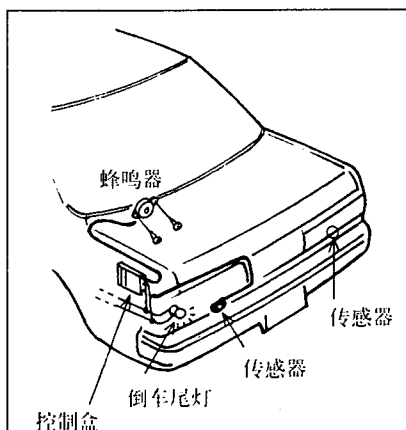
⑦下列情况会导致误报

- ※ 存在其它超声波源或强电磁场。
- ※ 传感器粘有冰块、雪花、泥浆等。
- ※ 同时在使用 DC-AC 转换器，如 24V-12V。

⑧注意事项

- ※ 请不要切断或延长传感器线。
- ※ 不要安装在有倒车喇叭的汽车上。
- ※ 不要安装在后置发动机的汽车上。

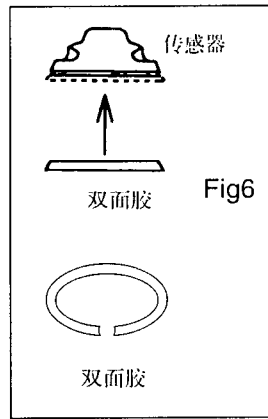
二、接线方法



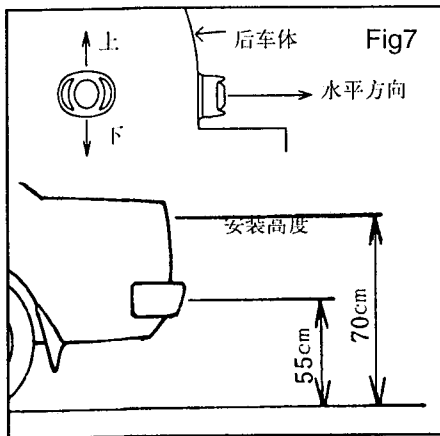
三、安装方法

注意：安装时请勿挂倒档

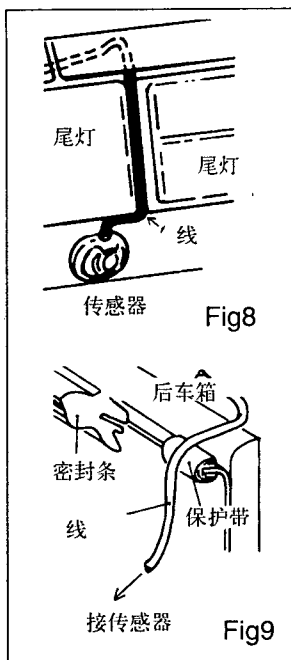
- ① 把双面胶贴在传感器上，套上黑色橡胶圈，涂上双组份胶，A,B胶按1:1混合调均，涂布于传感器中央，用量应使胶面高于双面胶纸，然后再贴在汽车尾部，将安装位擦洗干净，去掉油水，油污。



- 传感器安装位不宜太低或太高，安装在离地55cm-70cm范围内为宜。如图7所示，探头贴面应保持垂直，向上或向下会影响使用效果，探头之间的距离最好为0.5-0.8cm。



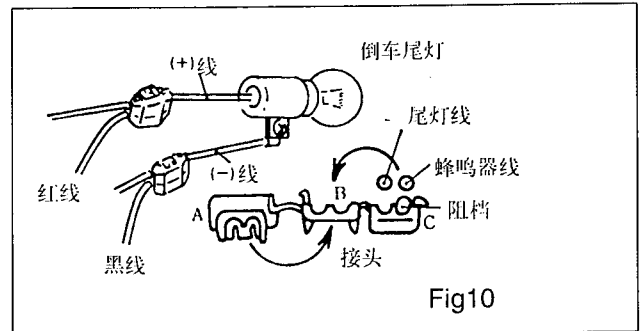
- 选择适当路径将传感器线引入后车箱，如图8所示。



- 传感器线引入后车箱后如果引线是从密封条下穿过，请在线上裹层保护带，如图9所示。

② 蜂鸣器部分连接线

- 红线(电源正极)
蜂鸣器红色线连到倒车尾灯(+)正极。
- 黑线(电源负极)
蜂鸣器黑色线连到倒车尾灯(-)负极。
分别用接线卡来连接。
电源接线用法，如图10所示

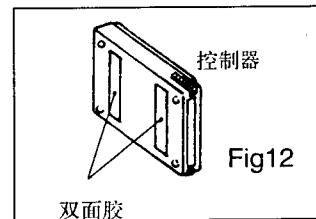
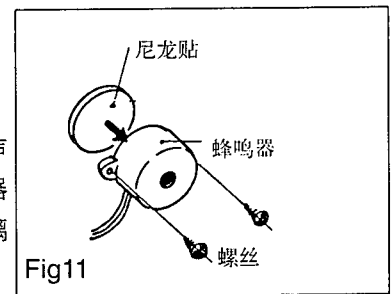


接线卡使用方法

- 将A部从下合到B部(标有箭头)
将尾灯(+)线和蜂鸣器的红线分别放在接线盒内
用力将C部与B部用钳子夹紧，直到连线卡在金属卡槽内。

③ 蜂鸣器安装

- 选择使司机易听见声音的位置，将蜂鸣器贴在车内后挡风玻璃上。
- 控制盒用双面胶粘帖在后车箱两侧，应避免放在高温、潮湿、漏水的地方。



④ 试车检测

- 将汽车起动，并挂在倒档位，应听到嘀一声表示传感器工作正常，反复倒车试验几次，确定障碍距离与蜂鸣器报警声吻合，并正常工作。

* 该产品只作辅助用途，倒车时应小心谨慎，如发生意外，本公司概不负责。

附注：CB-02 二个探头
CB-03 三个探头
CB-04 四个探头

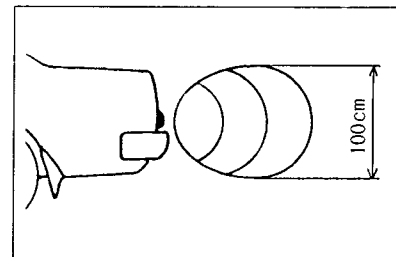
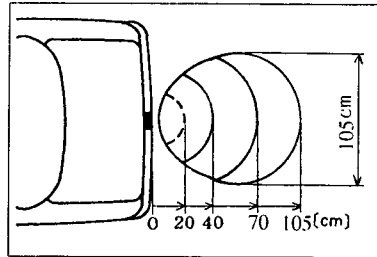
Car Backup Alarm System

The installation work should be made precisely according to this instruction manual.

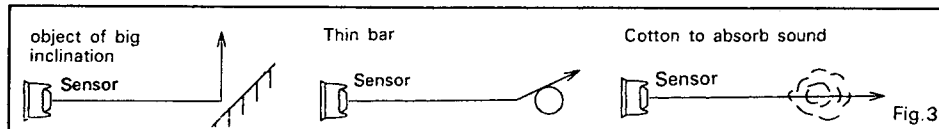
1. Specification

- ① Four transducers selectable.
- ② Use : To alarm the driver perceiving the backward object.
- ③ Principle: measure the distance to backward object by ultrasonic waves.
- ④ Function: This products has the characteristics for safty alarm the driver perceiving the backward object when the driver puts the shift lever into back gear. But the installation within 20cm from the earth is difficult to perceive.
- ⑤ Voltage : DC 12V (24V selectable)
- ⑥ Operation temperature: 0-70°C
- ⑦ Sensorable scope for one sensor

the distance to backward object	alarm sound
105cm ~ 70cm	pi....pi....pi (long sound))
70cm ~ 40cm	pi..pi..pi (short cut sound)
40cm ~ 20cm	piiiii (continued sound)



- ⑧ The object to be difficult to perceive.



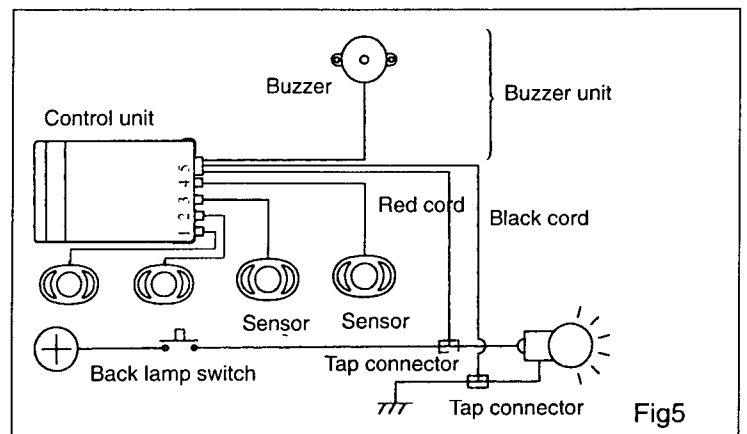
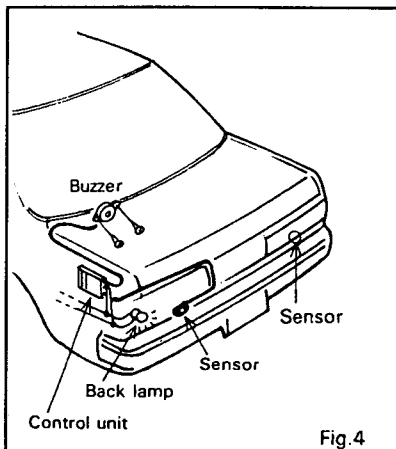
- ⑨ In case of the following, there are some wrong sensing or no sensing.

- In case of that other ultrasonic wave of motor cycle, etc, is approaching.
- Use in heavy rains or water spray to the sensor.
- Use on gravel road, bumpy road, sloping road and bush.
- Use under the hot sun or chilled weather.
- Place there is strong electric wave at the neighborhood.
- At the time used with DC-AC inverter simultaneously.
- At the time used converter to change 24V to 12V.
- In case of the sensor covered with snow, ice mud, etc..

- ⑩ Cautions on using

- Don't use this products except for car back sensor.
- Don't cut or extend the sensor cord.
- This model can not install on the car equipped back-up horn.
- This model can not install on the car of rear engine and midship engine.
- Don't do installation to make change on the total length and the total width of car.

2. Wiring method



[CAUTION] Don't put the shift lever into back gear

during operation time of ①

① Installation of sensor

- Put the attached rubber packing to the sensor, This part is for fitting fully into the curved line of car.

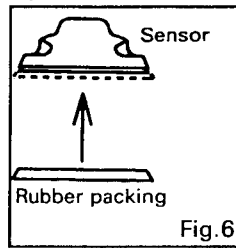


Fig. 6

Fix the installing position referring the drawing of sensor scope. The position to install should be in the range of 55cm from the earth and under 70 cm of the earth and should be installed vertically on the rear side of the car.

Too much lower installation is to perceive the surface of the earth and too much higher installation is not to perceive the low object. Don't install conversely with the height and the side.

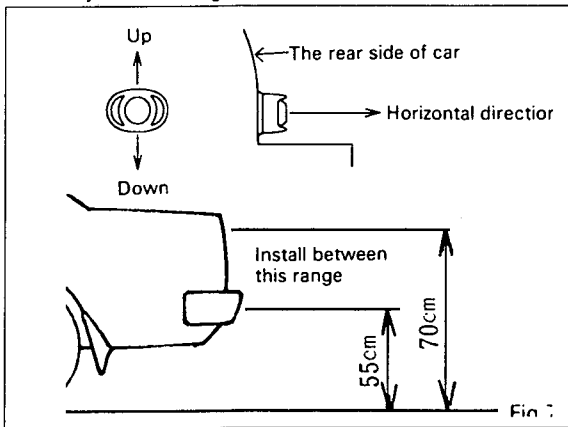


Fig. 7

- Decide the flowing position of the cord as the cord of the sensor is run into the trunk room.

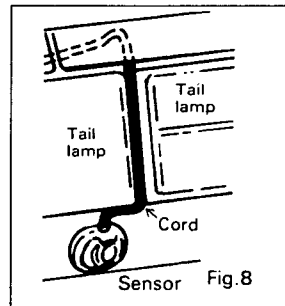


Fig. 8

- After the installation position of the sensor is decided, stick the double adhesive tape on the decided position of car. (Before sticking, clean the stick position removing dust, oil and water.)

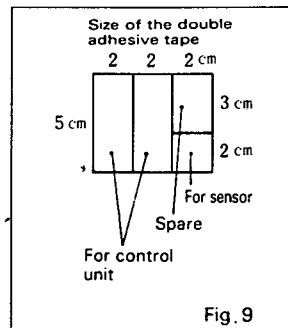


Fig. 9

- After running the cord of the sensor into the trunk room, connect No. 2 connector of control unit. When you run the cord under the rubber seal of the trunk, roll the cord connecting part with some tape for full protection.

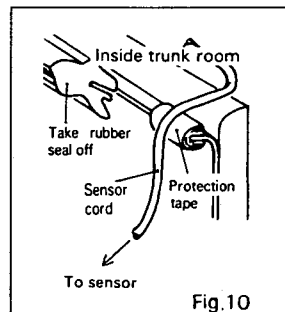
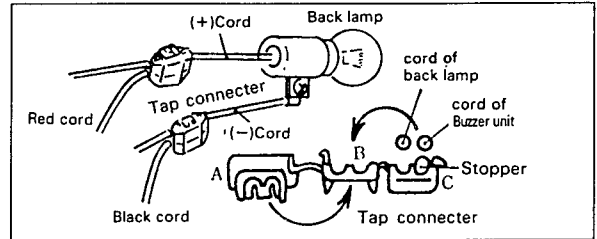


Fig. 10

② Connecting of Buzzer unit (Refer to the Wiring diagram).

- Connecting of red cord
Connect the red cord of buzzer unit with (+) cord of back lamp.
- Connecting of black cord
Connect the black cord of buzzer unit with (-) cord of back lamp. (Body earth is accepted. Concerning body earth, do body earth certainly after took off the paint of car.)
- Connecting of connector
Connect the connector of buzzer unit with No. 3 connector of control unit.

Concerning connecting, use attached tap connector (red).



Connecting method of connector

- Push A from the lower of B as marked with arrow mark.
- Fix each cord to C. In case of that the cord of buzzer unit runs against the stopper of C.
- Cover C to B together with cord.
- Press certainly nipping up and down sides of connector with pliers.

③ Installation of control unit and buzzer.

- Install the buzzer with attached screws choosing the position where driver can easily hear sound. (Installation position of buzzer is good in trunk room.)
- Fix the control unit with attached double adhesive tape on the position not having hot and high humidity, not splashing water, not bumping to some burdens. (It is recommended to install on the side of trunk room.)

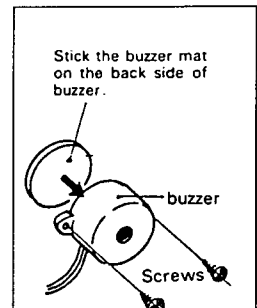


Fig. 12

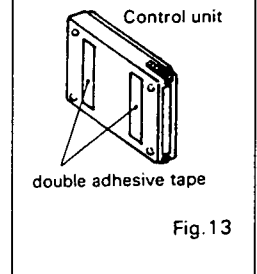


Fig. 13

④ Operation test

- Perceiving is beginning when key switch is on and puts the shift lever into back gear.
- Exercise some times to use this kit correctly approaching car to object, confirming sensor scope and distance to object.

⑤ We are not responsible for the injury happened by car accident even though installing our back sensor, check the rear side fully when car goes backward.

欢迎索取免费详细资料、设计选型指南和光盘、样品；产品繁多未能尽录，欢迎来电查询。

[中国传感器科技信息网：HTTP://WWW.SENSOR-IC.COM/](http://WWW.SENSOR-IC.COM/)

[工控安防网：HTTP://WWW.PC-PS.NET/](http://WWW.PC-PS.NET/)

[消费电子专用电路网：HTTP://WWW.SUNSTARE.COM/](http://WWW.SUNSTARE.COM/)

E-MAIL：xjr5@163.com szss20@163.com

MSN：suns8888@hotmail.com

QQ：195847376

地址：深圳市福田区福华路福庆街鸿图大厦 1602 室

电话：0755-83376549 83376489 83387030 83387016

传真：0755-83376182 83338339 邮编：518033 手机：(0)13902971329

深圳展销部：深圳华强北路赛格电子市场 2583 号 TEL/FAX：
0755-83665529 25059422

北京分公司：北京海淀区知春路 132 号中发电子大厦 3097 号

TEL：010-81159046 82615020 13501189838 FAX：010-82613476

上海分公司：上海市北京东路 668 号上海赛格电子市场 2B35 号

TEL：021-28311762 56703037 13701955389 FAX：021-56703037

西安分公司：西安高新开发区 20 所(中国电子科技集团导航技术研究所)
西安劳动南路 88 号电子商城二楼 D23 号

TEL：029-81022619 13072977981 FAX:029-88789382

成都：TEL:(0)13717066236

技术支持：0755-83394033 13501568376