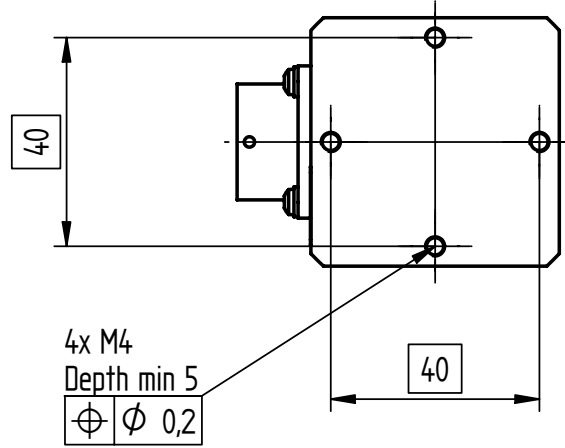
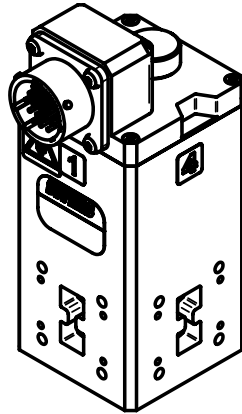
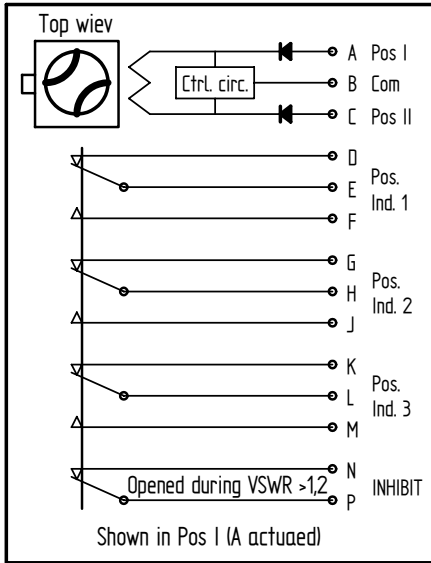
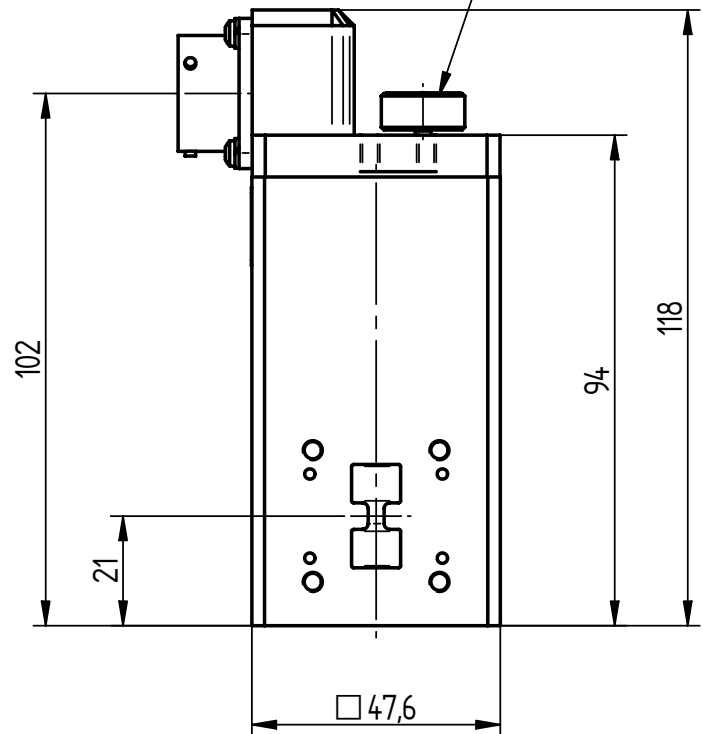


CAD-dokument  
Får ej revideras manuellt

Issue	Modification	Date	Sign.	Chkd.
B	ECO	2004-04-26	HNg	HW



MANUAL OVERRIDE



**CAUTION!**  
ESD SENSITIVE

This document is our property and shall not without our written permission be altered, copied or communicated to a third party.

© SIVERS LAB AB

Drawing principle	SS 1902	UNLESS OTHERWISE STATED THE FOLLOWING APPLIES: General tolerances, linear and angular dimensions: ISO 2768-c -  Europ. proj.	Ref. 01-06-21	Sign. AKn
Tolerancing principle	ISO 8015		Chkd.	Sign.
Dimensions in mm			Appvd.	Sign.
<b>SIVERS</b>	Title WAVEGUIDE SWITCH WRD 580 Latching		Designed	Sheet 1(2)
			Scale 1:1	Issue B
			Doc. no WS 8189D58/00	



Reference	Approved	Origin date	Issue date	Issue	Page	Document
HNg	HW	1996-02-12	2004-04-26	B	2 (2)	<b>WS 8189D58/00</b>

**RF DATA**

Frequency range	5.8 – 16.0 GHz
VSWR	1.2
Insertion loss	0.4 dB
Isolation	50 dB
Peak power	30 kW at 0.1 MPa abs., +25°C
Average power	750 W
Flange interface	WRD 580
	Modified with 6-32 UNC-2B, thread depth min 5

**ACTUATOR DATA**

Operating voltage	28±3 VDC
Operating current	1 A, Self cut off
Switching time	100 ms
Duty (min time between successive operations)	500 ms -20°C to +40°C linearly increasing to 2 s at +70°C
Connector	MS 3112 E14-19P
Mating connector	MS 3116F 14-19S or eq.

**POSITION INDICATOR**

Voltage / Current	30 V Max, 100 mA Max Resistive load
Position indicator	Three sets of C-form contacts and one set of inhibit contact, opened during VSWR >1.2

**MECHANICAL DATA**

Material	Aluminium alloy, Cu free
Finishing	Chromate per MIL-C-5541 and black painted
Air pressure	0.1 MPa overpressure
Air leakage	10 cm <sup>3</sup> /min. (0.1 MPa overpr.) Max
Weight	0.45 kg Max
Life	250 000 actuations

**ENVIRONMENTAL DATA**

Ambient temperature	-20°C to +70°C
Vibration	5 – 18 Hz, 3 mm amplitude 18 – 2000 Hz, 15 g
Humidity	100%RH if dry air in waveguide

**WS 8189D58/00**