



XEMICS

Reference Design

RD1218.01

VHF FM Radio Receiver based on the XE1218 Single Chip FM 230MHz

Author: Gaël CORON

For further information please contact:

XEMICS SA

Tel: +41 32 720 5170 **Fax:** +41 32 720 5770

Web: <http://www.xemics.ch> **E-mail:** info@xemics.ch

INTRODUCTION

This reference design reports on how the RD1218.01 VHF FM Radio Receiver demonstrates the use of a highly integrated single chip audio receiver from antenna to loudspeaker for voice transmission applications. For details about the Single Chip FM 230MHz Receiver, refer to XE1218 Data sheet.

Traditionally, FM Receiver includes a high complexity design simplified by the use of a highly integrated single chip receiver.

XEMICS XE1218 FM Receiver has an ultra low voltage operation down to 1 volt and ultra low power consumption, 2mA. The sensitivity has been designed in order to obtain -107dBm with 6kHz audio bandwidth.

The XE1218 circuit includes a RF receiver section, demodulator and a directly connecting audio amplifier that fits to an external earpiece. It uses analog narrow-band FM modulation.

Based on low power-IF architecture, the XE1218 VHF receiver is designed with an on-chip channel filter and a delay line type demodulator. Moreover, a crystal oscillator generates the Local Oscillator frequency that can therefore be fixed between 130MHz-230MHz.

XE1218 BENEFITS

The use of the XE1218 VHF FM Receiver in audio RF application offers the following advantages:

- Low power consumption
- Highly integrated
- High sensitivity
- 6kHz audio bandwidth
- Integrated audio amplifier
- Very few external components

RD1218-01 OVERVIEW

The FMX Electronic module is a VHF FM radio receiver. It provides a cost-effective circuit enabling it to receive an audio signal from a walky-talky.

The system operates in the low power band 200MHz for short-range devices. It is a fixed frequency one-channel receiver. Its receiving frequency is defined by a quartz, which is soldered on the module. It can be chosen in the 173-225MHz band.

In Europe, the 173-225MHz band (formerly TV "VHF-II") has recently been assigned to short range radio communication equipment using a low power transmitter (for more information refer to norm ETS300422).

Typical applications using the XE1218 design are tour guide systems, wireless phone headsets, FM broadcasting miniature receivers, local/wide area voice paging and toys.

In the USA, the 216-217MHz band was freed in 1996 for a new Low Power Radio Service (LPRS) which includes auditory assistance devices, health care assistance devices and law enforcement tracking systems. The maximum allowable transmitter power is 100mW.

The FMX is an electronic module that allows the construction of a miniaturized radio receiver. It is supplied by a single 1.3V battery and has a low current consumption (1.5mA-3mA, depending on its mode).

RD1201.01 KEY FEATURES

- Low complexity hardware
- Small size
- A short wire printed antenna
- Direct connection with a loudspeaker
- Stand by mode $<50\mu\text{A}$.

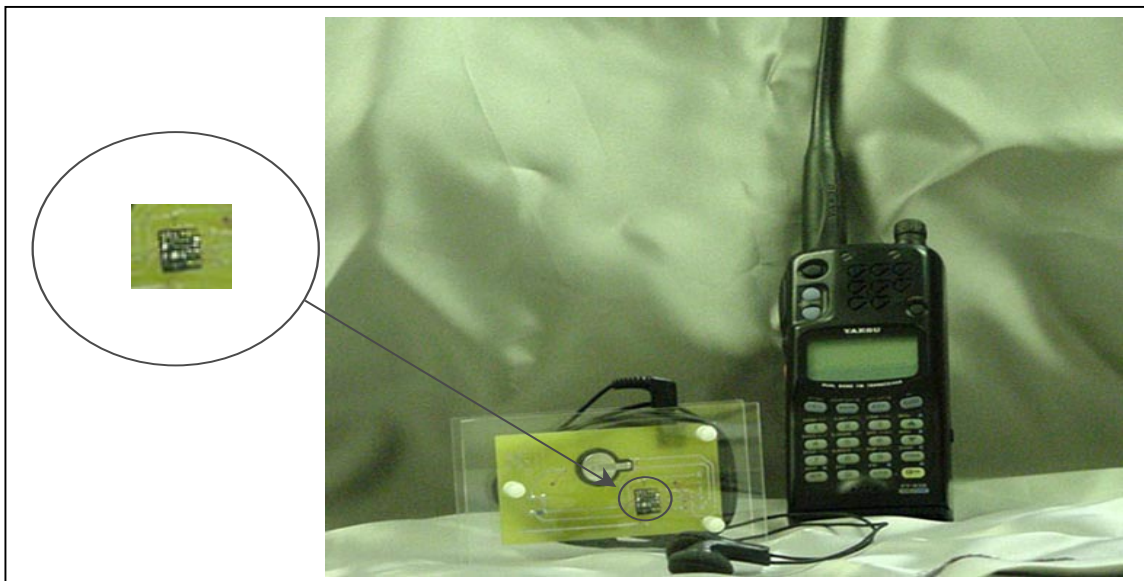


TABLE OF CONTENTS

INTRODUCTION	1
XE1218 BENEFITS	1
RD1218-01 OVERVIEW	1
RD1201.01 KEY FEATURES	1
SYSTEM OVERVIEW	3
SYSTEM DETAILED	4
POWER SUPPLY	4
AUDIO OUTPUTS	4
AUDIO OUTPUT LEVEL CONTROL.....	4
ANTENNA CIRCUIT	4
ELECTRICAL SCHEMATIC OF THE MODULE	4
GENERAL SPECIFICATION	5
LIST OF SYMBOLS AND CONNECTIONS	5
BILL OF MATERIAL.....	1

SYSTEM OVERVIEW

The RD1218.01 Reference Design describes how to develop a cost effective and fully integrated FM Receiver. Using the XE1218, this application performs RF signal reception and Audio processing (antenna in, loudspeaker out).

This Reference Design is limited to receive only one frequency, which is fixed by a quartz (see design modification to change the LO frequency).

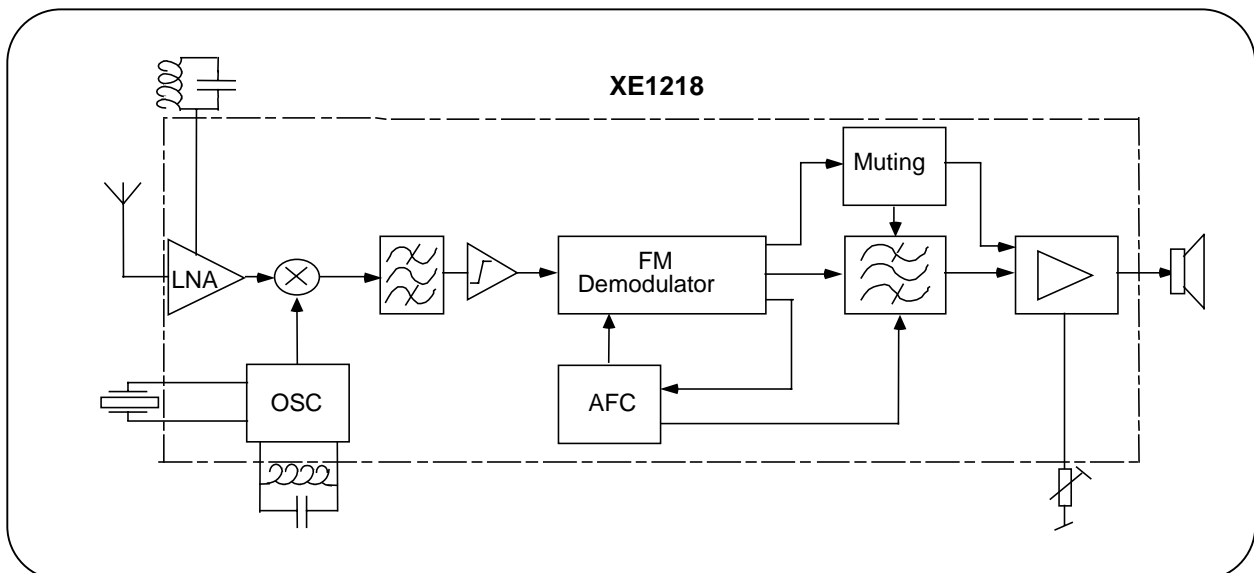
The Ultra Low Power VHF FM receiver, XE1218, is composed of the following main functional blocks:

- Receiver Chain including the audio output stage
- The Local Oscillator block
- The control and service blocks.

The receiver is implemented with the following blocks:

- A low noise amplifier
- A mixer used as a down converter to transfer the signal from VHF band to an intermediate frequency (IF) of 25kHz.

- An offset cancellation block used to attenuate the DC.
- An IF Filter chain used to amplify and filter the IF signal.
- A limiter providing the demodulator with fully digital signals.
- A digital delay line FM demodulator that converts the signal from limiter into a pulse width modulated signal at twice the IF frequency. This block also generates AFC and MUTE signals; the AFC signal is used inside the demodulator in order to track the clock frequency of the IF frequency.
- An audio stage used to filter the input PWM signal and to provide volume control and output buffering. The block uses the MUTE signal generated by the demodulator to switch on/off the output buffer driving the EAR output.



Reference Design

VHF FM Radio Receiver

RD1218.01

SYSTEM DETAILS

The receiving frequency of the FMX is determined by the quartz frequency. The receiver XE1218 is a super-heterodyne receiver having an IF of 25kHz. It has two receiving frequencies that are +/-25kHz offset with respect to the quartz frequency.

The image frequency is not rejected, this simplification has been made in order to achieve the lowest current consumption. The image frequency is located very close to the receiving frequency, therefore the probability of interference, on this image, by other low power transmitters remains low.

The antenna circuitry has to be adjusted (Trimmer on the module), because it depends on the chosen antenna type.

Power Supply

A single 1.0-1.6V battery supplies the receiver. The battery shall be connected between +Vdd and GND.

Audio Outputs

The module FMX has 3 outputs each of which serving different purposes:

- OUTL and OUTH (not accessible with demonstrator) are low-level outputs for connection to loudspeaker input.
- EAR is a high level output. It is the output of a class A amplifier and can be directly connected to an earphone.

Audio Pad	Output Level	Output Impedance	Recommended Load Impedance
OUTL	10mVrms ±3dB	<100Ω, serie 4.7μF	>1kΩ
OUTH	40mVrms ±3dB	10kΩ ±25%, serie 1μF	Any
EAR	250mVrms ±3dB	Vbias=0.3V ±100mV	Rdc (earphone)>200 Ω

Audio Output Level Control

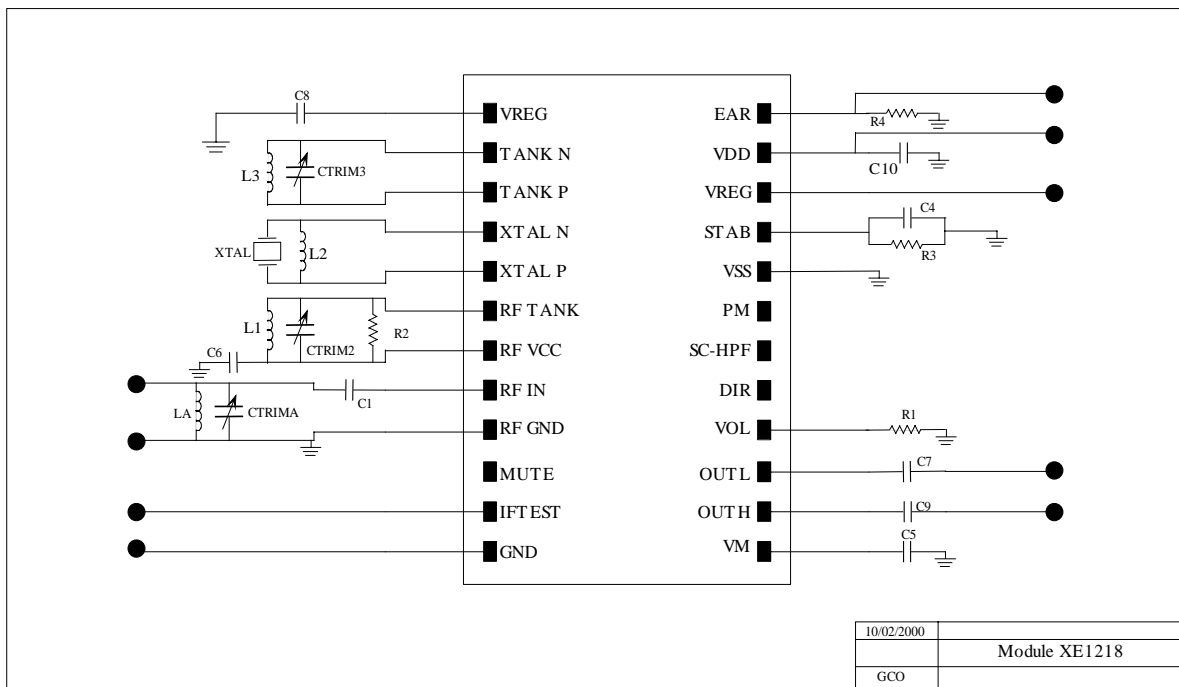
The Audio output level depends on the value of the resistor R1 (see fig). The default value is 470kOhm.

Antenna Circuit

The simplest receiving antenna is a short wire of length 4cm (electrical antenna)

It is possible to use a magnetic LOOP antenna with a 2 square centimeter area. In that case, the SMD coil LA must be removed and CT1 again bring the whole antenna circuitry at resonance on the frequency. The magnetic antenna is less sensitive to de-tuning by the proximity of the body than the electrical antenna.

Electrical Schematic of the Module

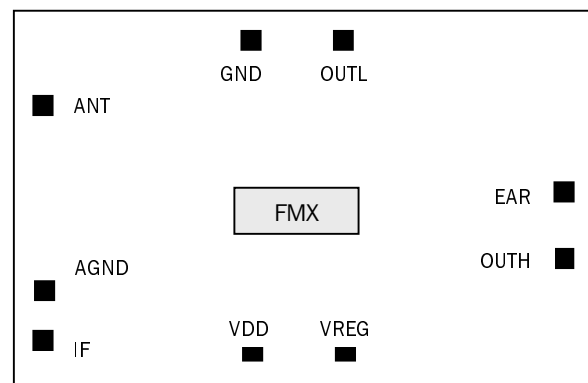


Reference Design**VHF FM Radio Receiver****RD1218.01****GENERAL SPECIFICATION**

Parameter	Specification
Type of Modulation	FM, $\Delta f_{dev}=5\text{kHz}$ max.
Alignment Range	173-225MHz
Switching Range	One channel receiver, (quartz controlled)
Sensitivity	SINAD>10dB @ $P_{in}=-105\text{dBm}$, $f_{mod}=1\text{kHz}$, $\Delta f_{dev}=3\text{kHz}$
Channel Selectivity	>50dB (@200kHz channel spacing)
Current Consumption	Stand-by mode<50 μA Squelch or active mode:1.5mA-2.1mA
Operating Temperature Range	-10 $^{\circ}$ to +55 $^{\circ}$ C (extreme)
Audio Signal Frequency Range	100Hz – 6kHz
SNR	45dB
THD	<3% ($f_{mod}=1\text{kHz}$, $\Delta f_{dev}=5\text{kHz}$)
Spurious Emissions	Far below -57dbm ERP

Symbol and List of the connection

PAD	Description
GND	Negative Supply (GND)
VDD	Positive Supply
VREG	Sense Input for the standby modus
EAR	Earphone Output or high level audio output
OUTL	Low Impedance Output for hearing aids
OUTH	High Impedance output for hearing aids
IF	Test pad
ANT	Antenna input
AGND	Antenna ground



Reference Design

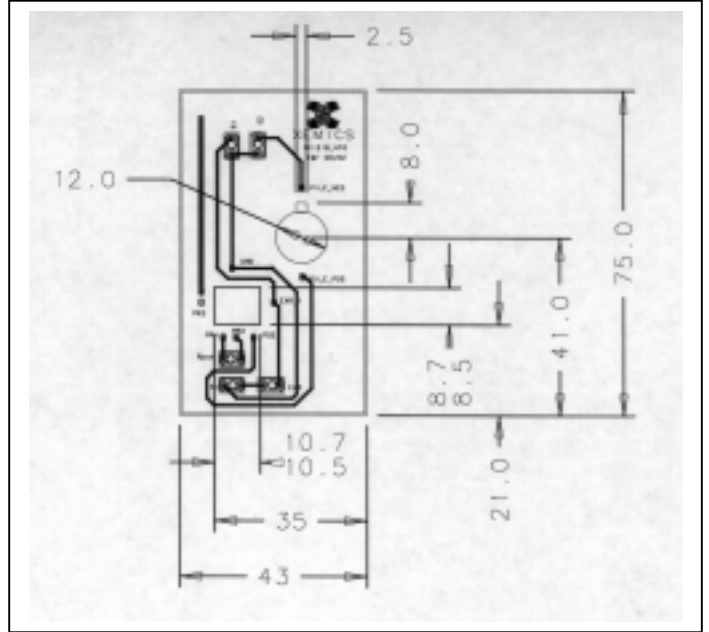
VHF FM Radio Receiver

RD1218.01

Bill of Material

Components	Type	Value
Xtal 1	Overtone crystal, Serial resonance	Ex, F=171.525 Cs=0.17fF, Rs<120ohm Q>40000 Cp=3,2pF
L1		0.15uH

L2		0.18uH
L3		0.18uH
C1		1pF
Ctrim1		10pF
Ctrim2		2.5pF
Ctrim3		3.2pF
C4,C5,C6		10pF
C7		4.7uF
C8		4.7uF
C9		10uF



SUNSTAR 商斯达实业集团是集研发、生产、工程、销售、代理经销、技术咨询、信息服务等为一体的高科技企业，是专业高科技电子产品生产厂家，是具有 10 多年历史的专业电子元器件供应商，是中国最早和最大的仓储式连锁规模经营大型综合电子零部件代理分销商之一，是一家专业代理和分销世界各大品牌 IC 芯片和电子元器件的连锁经营综合性国际公司，专业经营进口、国产名厂名牌电子元件，型号、种类齐全。在香港、北京、深圳、上海、西安、成都等全国主要电子市场设有直属分公司和产品展示展销窗口门市部专卖店及代理分销商，已在全国范围内建成强大统一的供货和代理分销网络。我们专业代理经销、开发生产电子元器件、集成电路、传感器、微波光电元器件、工控机/DOC/DOM 电子盘、专用电路、单片机开发、MCU/DSP/ARM/FPGA 软件硬件、二极管、三极管、模块等，是您可靠的一站式现货配套供应商、方案提供商、部件功能模块开发配套商。商斯达实业公司拥有庞大的资料库，有数位毕业于著名高校——有中国电子工业摇篮之称的西安电子科技大学（西军电）并长期从事国防尖端科技研究的高级工程师为您精挑细选、量身订做各种高科技电子元器件，并解决各种技术问题。

微波光电部专业代理经销高频、微波、光纤、光电元器件、组件、部件、模块、整机；电磁兼容元器件、材料、设备；微波 CAD、EDA 软件、开发测试仿真工具；微波、光纤仪器仪表。欢迎国外高科技微波、光纤厂商将优秀产品介绍到中国、共同开拓市场。长期大量现货专业批发高频、微波、卫星、光纤、电视、CATV 器件：晶振、VCO、连接器、PIN 开关、变容二极管、开关二极管、低噪晶体管、功率电阻及电容、放大器、功率管、MMIC、混频器、耦合器、功分器、振荡器、合成器、衰减器、滤波器、隔离器、环行器、移相器、调制解调器；光电子器件和组件：红外发射管、红外接收管、光电开关、光敏管、发光二极管和发光二极管组件、半导体激光二极管和激光器组件、光电探测器和光接收组件、光发射接收模块、光纤激光器和光放大器、光调制器、光开关、DWDM 用光发射和接收器件、用户接入系统光收发器件与模块、光纤连接器、光纤跳线/尾纤、光衰减器、光纤适配器、光隔离器、光耦合器、光环行器、光复用器/转换器；无线收发芯片和模组、蓝牙芯片和模组。

更多产品请看本公司产品专用销售网站：

商斯达微波光电产品网：[HTTP://www.rfoe.net/](http://www.rfoe.net/)

商斯达中国传感器科技信息网：<http://www.sensor-ic.com/>

商斯达工控安防网：<http://www.pc-ps.net/>

商斯达电子元器件网：<http://www.sunstare.com/>

商斯达消费电子产品网：<http://www.icasic.com/>

商斯达实业科技产品网：<http://www.sunstars.cn/> 射频微波光电元器件销售热线：

地址：深圳市福田区福华路福庆街鸿图大厦 1602 室

电话：0755-83396822 83397033 83398585 82884100

传真：0755-83376182 (0) 13823648918 MSN: SUNS8888@hotmail.com

邮编：518033 E-mail:szss20@163.com QQ: 195847376

深圳赛格展销部：深圳华强北路赛格电子市场 2583 号 电话：0755-83665529 25059422

技术支持：0755-83394033 13501568376

欢迎索取免费详细资料、设计指南和光盘；产品凡多，未能尽录，欢迎来电查询。

北京分公司：北京海淀区知春路 132 号中发电子大厦 3097 号

TEL: 010-81159046 82615020 13501189838 FAX: 010-62543996

上海分公司：上海市北京东路 668 号上海赛格电子市场 D125 号

TEL: 021-28311762 56703037 13701955389 FAX: 021-56703037

西安分公司：西安高新开发区 20 所(中国电子科技集团导航技术研究所)

西安劳动南路 88 号电子商城二楼 D23 号

TEL: 029-81022619 13072977981 FAX:029-88789382