

XE88LC05

Ultra Low-Power Microcontroller with ADC and DACs for Sensor Conditioning

General Description

The XE88LC05 is an ultra low-power microcontroller unit (MCU) associated with a versatile analog-to-digital converter (ADC) including a programmable offset and gain pre-amplifier (PGA) and digital-to-analog converters (DACs).

XE88LC05 is available with on chip ROM or Multiple-Time-Programmable (MTP) Flash program memory.

Applications

- Portable, battery operated instruments
- Piezoresistive bridge sensors
- 4-20 mA bus sensors
- 0.5 - 4.5 V sensors
- HVAC control
- Motor control

Key product Features

- Ultra low-power MCU (300 μ A at 1 MIPS)
- Low-voltage operation (2.4 - 5.5 V supply voltage)
- 22 kB (8 kW) ROM/MTP, 512 B RAM
- Voltage or current output DACs
- Buffered signal-DAC (up to 16 bits)
- Buffered bias-DAC (up to 10 mA drive)
- Low-power, high resolution zooming ADC
 - up to 10 bits zoom
 - up to 16 bits ADC
- 4 x 2 or 7 x 1 PGA-ADC input multiplexer
- Analog matrix switching
- RC and crystal oscillators
- 5 reset, 16 interrupt, 8 event sources

Ordering Information

Samples available: Yes

Nomenclature: (XX marks pre-production samples)

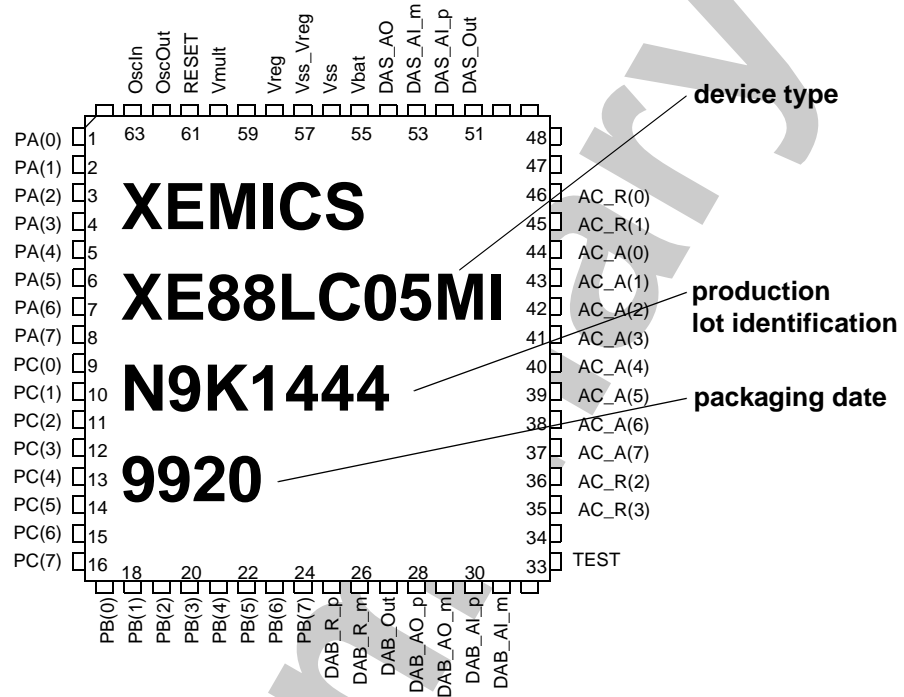
XE88LC05ME028

program memory TQFP64 package
 R: ROM temperature
 M: MTP I: -40 to 85 °C
 E: -40 to 125 °C

Low-Power Microcontroller

XX-XE88LC05

Detailed Pin Description



Pinout of the XE88LC05 in TQFP64 package

Pin				Description
Position	Function name	Second function name	Type	
1	PA(0)	testin	Input	Input of Port A/ Data input for test and MTP programming/ Counter A input
2	PA(1)	testck	Input	Input of Port A/ Data clock for test and MTP programming/ Counter B input
3	PA(2)		Input	Input of Port A/ Counter C input/ Counter capture input
4	PA(3)		Input	Input of Port A/ Counter D input/ Counter capture input
5	PA(4)		Input	Input of Port A
6	PA(5)		Input	Input of Port A
7	PA(6)		Input	Input of Port A
8	PA(7)		Input	Input of Port A
9	PC(0)		Input/Output	Input-Output of Port C
10	PC(1)		Input/Output	Input-Output of Port C
11	PC(2)		Input/Output	Input-Output of Port C
12	PC(3)		Input/Output	Input-Output of Port C
13	PC(4)		Input/Output	Input-Output of Port C
14	PC(5)		Input/Output	Input-Output of Port C
15	PC(6)		Input/Output	Input-Output of Port C
16	PC(7)		Input/Output	Input-Output of Port C

Table 1.2: Pin-out of the XE88LC05 in TQFP64

Low-Power Microcontroller

XX-XE88LC05

Position	Pin		Type	Description
	Function name	Second function name		
17	PB(0)	testout	Input/Output/Analog	Input-Output-Analog of Port B/ Data output for test and MTP programming/ PWM output
18	PB(1)		Input/Output/Analog	Input-Output-Analog of Port B/ PWM output
19	PB(2)		Input/Output/Analog	Input-Output-Analog of Port B
20	PB(3)	SOU	Input/Output/Analog	Input-Output-Analog of Port B, Output pin of USRT
21	PB(4)	SCL	Input/Output/Analog	Input-Output-Analog of Port B/ Clock pin of USRT
22	PB(5)	SIN	Input/Output/Analog	Input-Output-Analog of Port B/ Data input or input-output pin of USRT
23	PB(6)	Tx	Input/Output/Analog	Input-Output-Analog of Port B/ Emission pin of UART
24	PB(7)	Rx	Input/Output/Analog	Input-Output-Analog of Port B/ Reception pin of UART
25	DAB_R_p		Analog	Positive reference of bias DAC
26	DAB_R_m		Analog	Negative reference of bias DAC
27	DAB_Out		Analog	Output of bias DAC
28	DAB_AO_p		Analog	Highest potential output of bias DAC buffer
29	DAB_AO_m		Analog	Lowest potential output of bias DAC buffer
30	DAB_AI_p		Analog	Positive input of bias DAC buffer
31	DAB_AI_m		Analog	Negative input of bias DAC buffer
32			Not connected	Spare pins to be connected to negative power supply
33	TEST/Vhigh	Vhigh	Special	Test mode/High voltage for MTP programming
34			Not connected	Spare pins to be connected to negative power supply
35	AC_R(3)		Analog	Highest potential node for 2nd reference of ADC
36	AC_R(2)		Analog	Lowest potential node for 2nd reference of ADC
37	AC_A(7)		Analog	ADC input node
38	AC_A(6)		Analog	ADC input node
39	AC_A(5)		Analog	ADC input node
40	AC_A(4)		Analog	ADC input node
41	AC_A(3)		Analog	ADC input node
42	AC_A(2)		Analog	ADC input node
43	AC_A(1)		Analog	ADC input node
44	AC_A(0)		Analog	ADC input node
45	AC_R(1)		Analog	Highest potential node for 1st reference of ADC
46	AC_R(0)		Analog	Lowest potential node for 1st reference of ADC
47-50			Not connected	Spare pins to be connected to negative power supply
51	DAS_Out		Analog	Output of signal DAC
52	DAS_AI_p		Analog	Positive input of signal DAC buffer
53	DAS_AI_m		Analog	Negative input of signal DAC buffer
54	DAS_AO		Analog	Output of signal DAC buffer
55	Vbat		Power	Positive power supply
56	Vss		Power	Negative power supply, connected to substrate
57	Vss_Reg		Power	Digital negative power supply, must be equal to Vss
58	Vreg		Analog	Regulated supply
59			Not connected	Spare pins to be connected to negative power supply
60	Vmult		Analog	Pad for optional voltage multiplier capacitor
61	RESET		Input	Reset pin (active high)
62	OscOut	ptck	Analog/Input	Connection to Xtal/ Peripheral clock for test and MTP programming
63	OscIn	ck_cr	Analog/Input	Connection to Xtal/ CoolRISC clock for test and MTP programming
64	-		-	Do not connect, or VSS

Table 1.2: Pin-out of the XE88LC05 in TQFP64

Low-Power Microcontroller

XX-XE88LC05

XE88LC05xl Electrical Characteristics

Operation conditions		min	typ	max	Unit	Remarks
Power supply	ROM version	2.4		5.5	V	
	MTP version	2.4		5.5	V	
Current requirement	CPU running at 1 MIPS			310	uA	1
	CPU running at 32 kHz on Xtal, RC off			10	uA	1
	CPU halt, timer on Xtal, RC off			1	uA	1
	CPU halt, timer on Xtal, RC ready			1.7	uA	1
	CPU halt, Xtal off timer on RC at 100 kHz			1.4	uA	1
	CPU halt, ADC 12 bits at 4 kHz			200	uA	1,4
	CPU halt, ADC 12 bits at 4 kHz, PGA gain 100			250	uA	1,4
	CPU at 1 MIPS, ADC 12 bits and DAC 10 bits at 4 kHz			660	uA	1,3,4
	CPU at 1 MIPS, ADC 12 bits and DAC 10 bits at 4 kHz, PGA gain 10			685	uA	1,3,4
	CPU at 1 MIPS, ADC 12 bits and DAC 10 bits at 4 kHz, PGA gain 100			710	uA	1,3,4
	CPU at 1 MIPS, ADC 12 bits and DAC 10 bits at 4 kHz, PGA gain 1000			785	uA	1,3,4
Voltage level detection			15	uA		
MTP	Prog. voltage	10.3		10.8	V	
	Erase time		3	30	s	
	Write/Erase cycles	10				5
	Data retention	10			year	2

Current requirement of the XE88LC05

- Note:** 1) Power supply: 2.4 V - 5.5 V, at 27°C; min voltage of XX version may be higher, max frequency of current XX version is 2 MHz
- Note:** 2) Temperature < 85°C
- Note:** 3) Output not loaded.
- Note:** 4) Current requirement can be divided by a factor of 2 or 4 by reducing the speed accordingly.
- Note:** 5) More cycles possible during development, with restraint retention

Low-Power Microcontroller

XX-XE88LC05

CPU

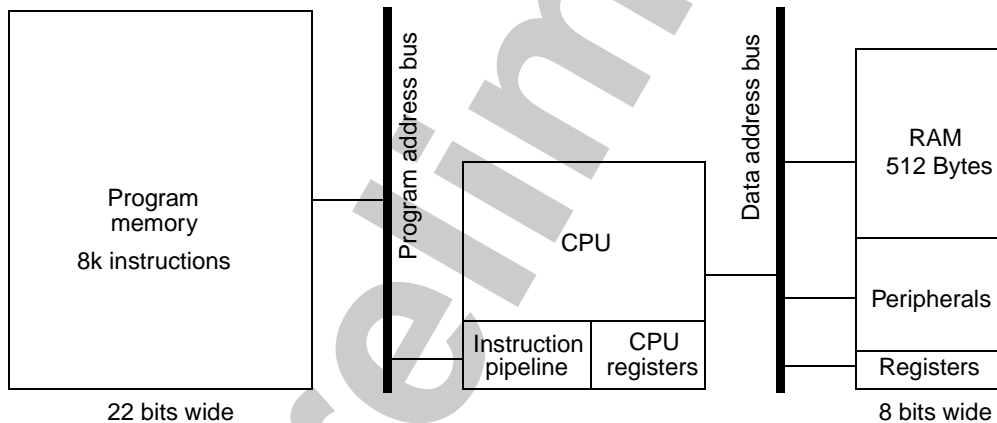
The XE88LC05 CPU is a low power RISC core. It has 16 internal registers for efficient implementation of the C compiler. Its instruction set is made of 35 generic instructions, all coded on 22 bits, with 8 addressing modes. All instructions are executed in one clock cycle, including conditional jumps and 8x8 multiplication.

A complete tool suite for development is available from XEMICS, including programmer, C-compiler, assembler, simulator, linker, all integrated in a modern and efficient graphical user interface.

Memory organisation

The CPU uses a Harvard architecture, so that memory is organised in two separated fields: program memory and data memory. As both memory are separated, the central processing unit can read/write data at the same time it loads an instruction. Peripherals and system control registers are mapped on data memory space.

Program memory is made in one page (program page full size is 65'536 instructions). Data is made of several 256 bytes pages.



Memory organization

Program memory

The program memory is implemented as Multiple Time Programmable (MTP) Flash memory or Read-Only Memory (ROM).

The power consumption of MTP and ROM is linear with the access frequency (no static current).
Memory sizes:

- Flash MTP: 8192 x 22 bits (= 22 kBytes)
- ROM: 8192 x 22 bits

Low-Power Microcontroller

XX-XE88LC05

block	size	address
ROM/MTP	8192 x 22	H0000 - H1FFF

Program addresses

Data memory

The data memory is implemented as static Random-Access Memory (RAM). The size is 512 x 8 bits plus 8 low power registers that require very low current when addressed, programs using these registers instead of RAM will spare even more current.

Note: The registers in Data memory are not related to the CPU registers.

block	size	address
LP RAM	8 x 8	H0000 - H0007
RAM	512 x 8	H0080 - H027F

RAM addresses

Peripherals mapping

block	size	address	Page
LP RAM	8x8	H0000-H0007	Page 0
System control	16x8	H0010-H001F	
Port A	8x8	H0020-H0027	
Port B	8x8	H0028-H002F	
Port C	4x8	H0030-H0033	
Port D	4x8	H0034-H0037	
MTP	4x8	H0038-H003B	
Event	4x8	H003C-H003F	
Interrupts control	8x8	H0040-H0047	
reserved	8x8	H0048-H004F	
UART	8x8	H0050-H0057	
Counters	8x8	H0058-H005F	
Zooming ADC	8x8	H0060-H0067	
Reserved	12x8	H0068-H0073	
DACs	8x8	H0074-H007B	
Other (VLD)	4x8	H007C-H007F	
RAM1	128x8	H0080 - H00FF	
RAM2	256x8	H0100 - H01FF	Page 1
RAM3	128x8	H0200 - H027F	Page 2

Peripherals addresses

Peripherals

The XE88LC05 includes usual microcontroller peripherals and some other blocks more specific to low-voltage or mixed-signal operation. They are 3 parallel ports, one input port (A), one IO and analog port (B) with analog switching capabilities and one general purpose IO port (C). A watchdog is available, connected to a prescaler. Four 8-bit counters, with capture, PWM and chaining capabilities are available. The UART can handle transmission speeds as high as 38kbaud.

Low-power low-voltage blocks include a voltage level detector, two oscillators (one internal 0.1-4 MHz RC oscillator and a 32 kHz crystal oscillator) and a specific regulation scheme that largely uncouples current requirement from

Low-Power Microcontroller

XX-XE88LC05

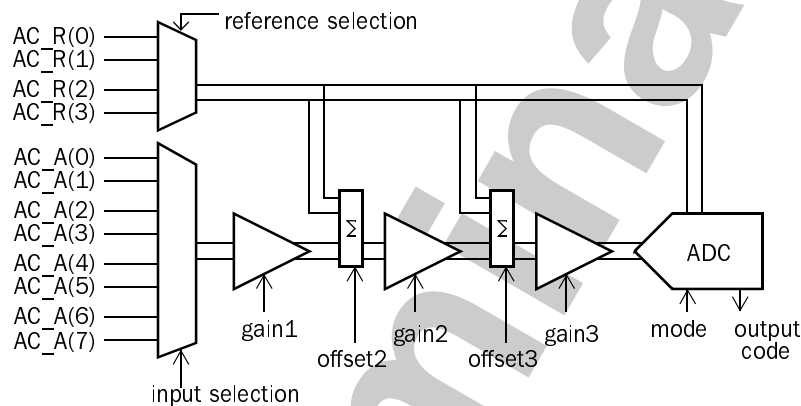
external power supply (usual CMOS ASICs require much more current at 5.5 V than they need at 2.4 V. This is not the case for the XE88LC05).

Analog blocks: acquisition path, bias DAC and signal DAC are defined below. All these blocks operate on 2.4 - 5.5 V power supply range.

Zooming ADC

Principle

The fully differential acquisition chain is formed of a programmable gain (0.5 - 1000) and offset amplifier and a programmable speed and resolution ADC (example: 12 bits at 4 kHz, 16 bits at 1 kHz). It can handle inputs with very low full scale signal and large offsets.



Acquisition channel block diagram

Input selection is made from 1 of 4 differential pair or 1 of seven single signal versus AC_A(0). Reference is chosen from the 2 differential references. Acquisition path offset can be suppressed by inverting input polarity.

The gain of each amplifier is programmed individually. Each amplifier is powered on and off on command to minimize the total current requirement. All blocks can be set to low frequency operation and lower their current requirement by a factor 2 or 4.

The ADC can run continuously (end of conversion signalled by an interrupt, event or by pooling the ready bit), or it can be started on request.

Input signal multiplexing

There are 8 inputs named AC_A[0] to AC_A[7]. Inputs can be used either as four differential channels ($V_{in1}=AC_A[1]-AC_A[0]$, ..., $V_{in4}=AC_A[7]-AC_A[6]$) or AC_A[0] can be used as a common reference, providing 7 signal paths ($AC_A[1]-AC_A[0]$, ..., $AC_A[7]-AC_A[0]$), all referred to AC_A[0]. Default input is V_{in1} .

Low-Power Microcontroller

XX-XE88LC05

On top of these settings, inputs can be crossed or not. All multiplexing combinations are summarised in the following table (see Table 1.3) :

uni/bi-polar AMUX(4)	sign AMUX(3)	channel selection			selected differential input		
		AMUX(2)	AMUX(1)	AMUX(0)	VIN-	VIN+	
0	0	unused	0	0	A(0)	A(1)	
			0	1	A(2)	A(3)	
			1	0	A(4)	A(5)	
			1	1	A(6)	A(7)	
	1	unused	0	0	A(1)	A(0)	
			0	1	A(3)	A(2)	
1			0	A(5)	A(4)		
1	0	0	0	0	A(0)	A(0)	
		0	0	1	A(0)	A(1)	
		0	1	0	A(0)	A(2)	
		0	1	1	A(0)	A(3)	
		1	0	0	A(0)	A(4)	
		1	0	1	A(0)	A(5)	
		1	1	0	A(0)	A(6)	
		1	1	1	A(0)	A(7)	
	1	1	0	0	0	A(0)	A(0)
			0	0	1	A(1)	A(0)
			0	1	0	A(2)	A(0)
			0	1	1	A(3)	A(0)
			1	0	0	A(4)	A(0)
			1	0	1	A(5)	A(0)
			1	1	0	A(6)	A(0)
			1	1	1	A(7)	A(0)

Table 1.3: AMUX selection

Input reference multiplexing

One must select one of two differential signal as reference signal (Vref1=AC_R[1]-AC_R[0], Vref2=AC_R[3]-AC_R[2]). Default is Vref1.

Amplifier chain

The 3 stages transfer functions are:

$$VD3 = GD3 \cdot VD2 - GDoff3 \cdot Vref$$

$$VD2 = GD2 \cdot VD1 - GDoff2 \cdot Vref$$

$$VD1 = GD1 \cdot Vin$$

where:

Vin=Selected input voltage

Vref=Selected reference voltage

VD1=Differential voltage at the output of first amplifier

VD2=Differential voltage at the output of second amplifier

VD3=Differential voltage at the output of third amplifier

GD1=Differential gain of stage 1

GD2=Differential gain of stage 2

GD3=Differential gain of stage 3

GDoff2= Offset gain of stage 2

GDoff3=Offset gain of stage 3

and therefore the whole transfer function is:

$$Vout \text{ of PGA} = VD3 = GD3 \cdot GD2 \cdot GD1 \cdot Vin - (GDoff3 + GDoff2 \cdot GD3) \cdot Vref$$

Low-Power Microcontroller

XX-XE88LC05

Note: As the offset compensation is realized together with the amplification on the same summing node, the only voltages that have to stay within the supplies are V_{ref} and the VD_i . $GD_i \cdot VD_{i-1}$ and $GD_{off_i} \cdot V_{ref}$ can be larger without any saturation.

Note: All stages use a fully differential architecture and all gain and offset settings are realized with ratios of capacitors.

Note: As the ADC also provides a gain (2 nominal), the total chain transfer function is:

$$Data_out = 2 \cdot GD3 \cdot GD2 \cdot GD1 \cdot \frac{V_{in}}{V_{ref}} - 2 \cdot (GD_{off3} + GD_{off2} \cdot GD3)$$

Each stage is called PGA_i. Features of these stages are:

- Gain can be chosen between 1 and 10 (between 0 and 10 for PGA3)
- Offset can be compensated for in PGA2 (a little) and in PGA3 (to a large extent)
- Granularity of settings is rough for PGA1, medium for PGA2, fine for PGA3
- Zero, one or two or three of the PGA stages can be used.

A functional example of one of the stages is given on tag 1.1.

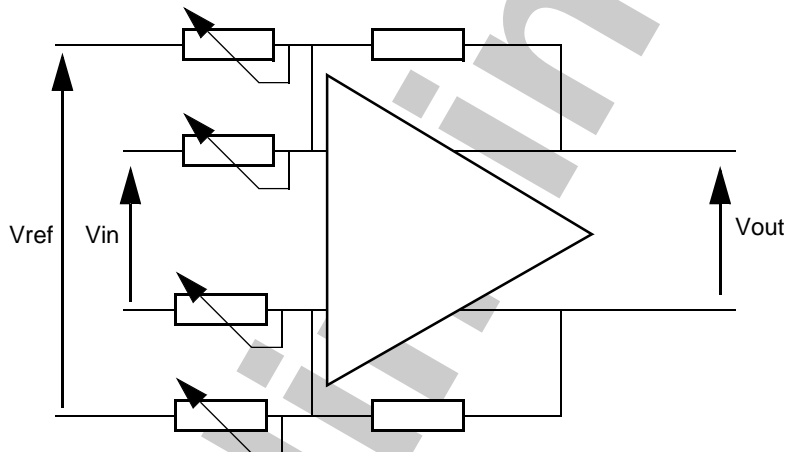


Figure 1.1: PGA stage principle implementation

1.1.1 PGA 1

symbol	description	min	typ	max	unit	Comments
GD1	PGA1 Signal Gain	1		10	-	GD1 = 1 or 10
GD_prci	Precision on gain settings	-5		+5	%	
GD_TC	Temperature dependency of gain settings	-5		+5	ppm/°C	
fs	input sampling frequency			512	kHz	
Zin1	Input impedance	150			kΩ	1
Zin1p	Input impedance for gain 1	1500			kΩ	1
VN1	Input referred noise			18	nV/ sqrt(Hz)	2

Table 1.4: PGA1 Performances

Note: 1) Measured with block connected to inputs through AMUX block. Normalized input sampling frequency for input impedance is 512 kHz. This figure has to be multiplied by 2 for $f_s = 256$ kHz and 4 for $f_s = 128$ kHz.

Note: 2) Input referred rms noise is 10 μ V per input sample. This corresponds to 18 nV/sqrt(Hz) for $f_s = 512$ kHz.

Low-Power Microcontroller

XX-XE88LC05

1.1.2 PGA2

sym	description	min	typ	max	unit	Comments
GD2	PGA2 Signal Gain	1		10	-	GD2 = 1, 2, 5 or 10
GDoff2	PGA2 Offset Gain	-1		1	FS	
GDoff2_step	GDoff2(code+1) – GDoff2(code)	0.18	0.2	0.22	-	
GD_preci	Precision on gain settings	-5		+5	%	valid for GD2 and GDoff2
GD_TC	Temperature dependency of gain settings	-5		+5	ppm/°C	
fs	Input sampling frequency			512	kHz	
Zin2	Input impedance	150			kΩ	1
VN2	Input referred noise			36	nV/ sqrt(Hz)	2

Table 1.5: PGA2 Performances

Note: 1) Measured with block connected to inputs through AMUX block. Normalized input sampling frequency for input impedance is 512 kHz. This figure has to be multiplied by 2 for fs = 256 kHz and 4 for fs = 128 kHz.

Note: 2) Input referred rms noise is 26uV per sample. This corresponds to 36 nV/sqrt(Hz) max for fs = 512 kHz.

1.1.3 PGA3

sym	description	min	typ	max	unit	Comments
GD3	PGA3 Signal Gain	0		10	-	
GDoff3	PGA3 Offset Gain	-5		5	FS	
GD3_step	GD3(code+1) - GD3(code)	0.075	0.08	0.085	-	
GDoff3_step	GDoff3(code+1) – GDoff3(code)	0.075	0.08	0.085	-	
GD_preci	Precision on gain settings	-5		+5	%	valid for GD3 and GDoff3
GD_TC	Temperature dependency of gain settings	-5		+5	ppm/°C	
fs	Input sampling frequency			512	kHz	
Zin3	Input impedance	150			kΩ	1
VN3	Input referred noise			36	nV/ sqrt(Hz)	2

Table 1.6: PGA3 Performances

Note: 1) Measured with block connected to inputs through AMUX block. Normalized input sampling frequency for input impedance is 512 kHz. This figure has to be multiplied by 2 for fs = 256 kHz and 4 for fs = 128 kHz.

Note: 2) Input referred rms noise is 26uV per sample. This corresponds to 36 nV/sqrt(Hz) max for fs = 512 kHz.

ADC

1.1.4 Input-Output relation

The ADC block is used to convert the differential input signal into a 16 bits 2's complement output format. The output code corresponds to the ratio:

$$\text{Output code} = \frac{V_{in}}{V_{ref}} \cdot \frac{s_{max} + 1}{s_{max}}$$

s_{max} being the number of samples used to generate one output sample per elementary conversion. s_{max} is set by **OSR** on **RegACCfg0**.

V_{ref} can be selected up to the power supply rails and must be positive. The 2's complement output code corresponding is given in hexadecimal notation by 8000 (negative full scale) and 7FFF (positive full scale). Code outside the

Low-Power Microcontroller

XX-XE88LC05

range are saturated to the closest full scale value. The output code is normalized into a 16 bits format. First non significant bit is forced to 1, further non significant bits are forced to 0.

register	data							
	MSB							LSB
RegACOutLSB	bit 5	bit 4	bit 3	bit 2	bit 1	1	0	0
RegACOutMSB	sign	bit 12	bit 11	bit 10	bit 9	bit 8	bit 7	bit 6

Table 1.7: Output code exemple, for 13 bits resolution (OSR: h11, NELCONV: h01)

1.1.5 Operation mode

The mode can be either “on request” or “continuously running”.

In the “on request” mode, after a request, an initialization sequence is performed, then an algorithm is applied and an output code is produced. The converter is idle until the next request.

In the “continuously running” mode, an internal conversion request is generated each time a conversion is finished, so that the converter is never idle. The output code is updated at a fixed rate corresponding to $1/T_{out}$, with T_{out} being the conversion time.

1.1.6 Conversion sequence

The whole conversion sequence is basically made of an initialisation, a set of N_{umCONV} elementary incremental conversions and finally a termination phase (N_{umCONV} is set by 2 bits on **RegACCfg0**). The result is a mean of the results of the elementary conversions.

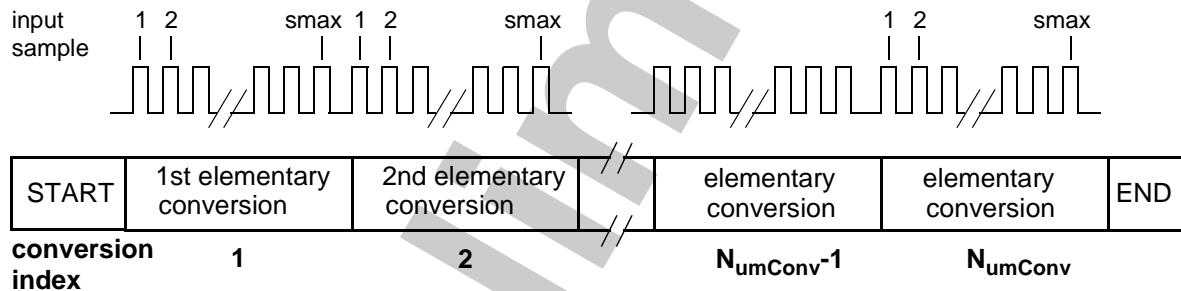


Figure 1.2: Conversion sequence. smax is the oversampling rate.

Note: N_{umCONV} elementary conversions are performed, each elementary conversion being made of smax input samples.

$$N_{umCONV} = 2^{NELCONV}$$

$$smax = 8 * 2^{OSR}$$

During the elementary conversions, the operation of the converter is the same as in a sigma delta modulator. During one conversion sequence, the elementary conversions are alternatively performed with direct and crossed PGA-ADC differential inputs, so that when two elementary conversions or more are performed, the offset of the converter is cancelled.

Note: The sizing of the decimation filter puts some limits on the total number of conversions and it is not possible to combine the maximum number of elementary conversions with the maximum oversampling (see the $N_{umCONV} * smax$ specification).

Some additional clock cycles ($N_{INIT} + N_{END}$) clock cycles are required to initiate and terminate the conversion properly.

Low-Power Microcontroller

XX-XE88LC05

1.1.7 Conversion duration

The conversion time is given by :

$$T_{OUT} = (2^{NELCONV} * (8 * 2^{OSR} + 1) + (N_{INIT} + N_{END})) / fs$$

1.1.8 Resolution

As far as it is not limited by thermal noise and internal registers width, the resolution is given by :

$$\text{Resolution (in bits)} = 6 + 2 * OSR + NELCONV$$

1.1.9 ADC performances

sym	description	min	typ	max	unit	Comments
VINR	Input range	-0.5		0.5	Vref	
Resol	Resolution	12			bits	1
NResol	Numerical resolution			16	bits	4
INL	Integral non-linearity			4	LSB	1,3, LSB at 12bits
fs	sampling frequency	10		512	kHz	
smax	Oversampling Ratio	8		1024	-	2
NUMCONV	Number of elementary conversions in incremental mode	1		8	-	2
Ninit	Number of periods for incremental conversion initialization			5	-	
Nend	Number of periods for incremental conversion termination			5	-	

Table 1.8: ADC Performances

Note: 1) Resolution specification also includes thermal noise and differential non-linearity (DNL) for a reference signal of 2.4 V. It is defined for default operating mode (See "Default operation mode (not yet implemented)" on page 13.)

Note: 2) Only powers of 2

Note: 3) INL is defined as the deviation of the DC transfer curve from the best fit straight line. This specification holds over 100% of the full scale.

Note: 4) NResol is the maximal readable resolution of the digital filter. Input noise may be higher than NResol.

Control part

Starting a convention

A conversion is started each time **START** or **DEF** is set. PGAs are reset after each writing operation to registers **RegACCfg1** to **RegACCfg5**. When using the PGAs, one has to start the ADCs after a PGA common-mode stabilisation delay. This is done by writing bit **START** several cycles after PGA settings modification. Delay between PGA start and ADC start should be equivalent to smax number of cycles.

End of a conversion

The end of the conversion is marked by the return to zero of busy bit, and, if set, by the generation of ADC interrupt.

Busy bit = 0 is not sufficient to denote the end of the conversion, as the ADC needs some clock cycles to set it to one at the conversion beginning. Only the transition from 1 to 0 denotes the end of conversion.

For low power or low noise applications, one should prefer to use the interruption as the processor can go to HALT between conversion start and conversion end.

Low-Power Microcontroller

XX-XE88LC05

Clocks generation

Peripheral clock (psck) can be chosen among four prescaler clocks (bit **FIN** of **RegACCfg2**), see Table 1.10, derived from the XE8000 RC oscillator.

The clock of the acquisition path (fs) is derived from the peripheral clock.

$$f_s = psck / 4$$

Acquisition of a sample

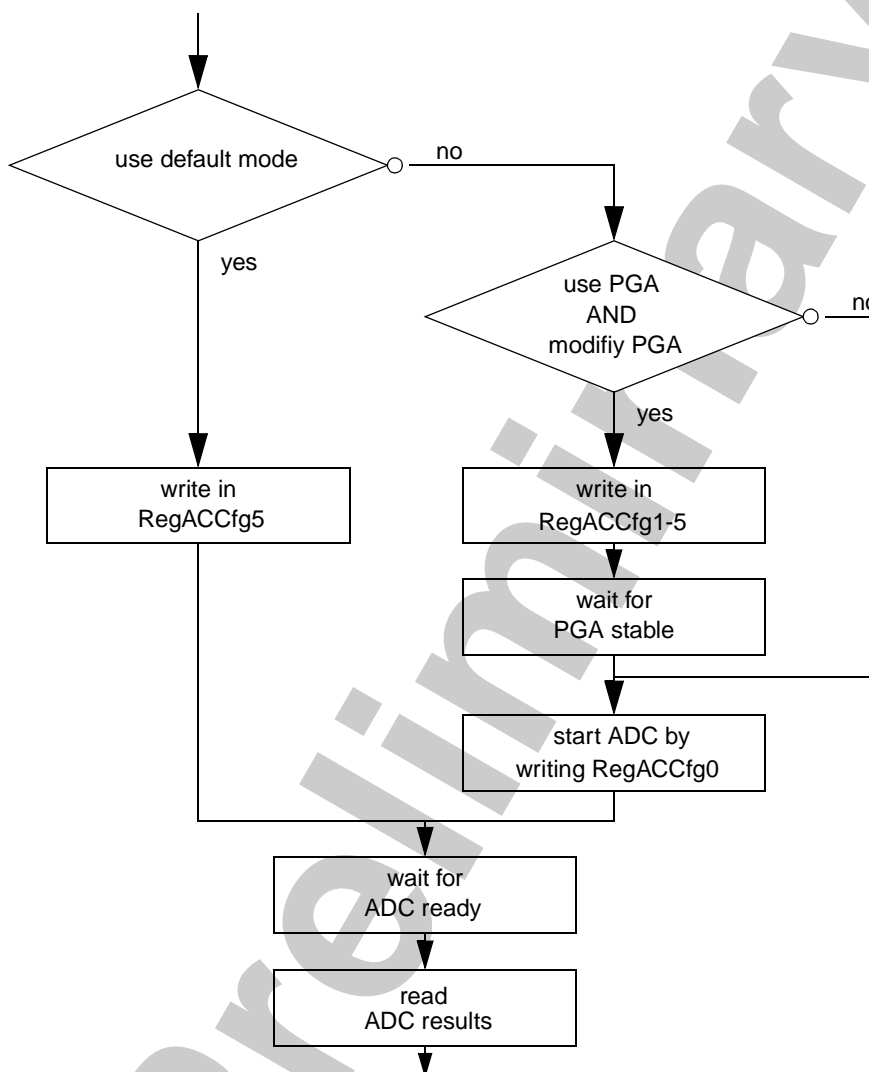


Figure 1.3: Acquisition flow

Default operation mode (not yet implemented)

The **DEF** bit (**RegACCfg5**) allows the use of the ADC in a default mode without any gain nor offset adjustment (see values in the right column of Table 1.10). This default mode is used in specifications to define resolution and INL. The only action to launch the operation of the peripheral is in this case to write a 'x1xx xxxx' at address 111. **VMUX** and **AMUX** are written at the same time and are not reset to default value. **BUSY** is not affected. The only way to stop a running conversion before completion is to shut the ADC down writing '0000' in **ENABLE** (**RegACCfg1**).

Low-Power Microcontroller XX-XE88LC05

Registers

Eight registers control this peripheral. Two registers are for the data output, six for peripheral general set-up. Registers are defined in Table 1.9 and Table 1.10.

register	data				
RegACOutLSB	ADC_OUT_L				
RegACOutMSB	ADC_OUT_H				
RegACCfg0	START	NELCONV	OSR	CONT	reserved
RegACCfg1	IB_AMP_ADC	IB_AMP_PGA	ENABLE		
RegACCfg2	FIN	PGA2_GAIN	PGA2_OFF		
RegACCfg3	PGA1_GAIN	PGA3_GAIN			
RegACCfg4	reserved	PGA3_OFF			
RegACCfg5	BUSY	DEF	AMUX	VMUX	

Table 1.9: Peripheral register memory map

Name	Register	rm	description	Default (reset and DEF mode)
ADC_OUT(15:0)	<u>RegACOutLSB</u> <u>RegACOutMSB</u>	r	data output	0000h
AMUX(4:0)	<u>RegACCfg5</u>	wr	Selection of PGA inputs	00000 (reset only)
BUSY	<u>RegACCfg5</u>	r	'1': conversion is in progress '0': data is available	0
CONT	<u>RegACCfg0</u>	wr	'1': continuous operation. '0': one shot mode	0
DEF	<u>RegACCfg5</u>	wr0	Default Operation bit '1': All registers but VMUX and AMUX are reset and default values are used '0': Normal operation	N/A
ENABLE(3:0)	<u>RegACCfg1</u>	wr	bit3 : PGA3, bit2 : PGA2, bit1 : PGA1, bit 0 : ADC If a bit is '1', the block is powered. If not, the block is switched off and all internal digital signals are reset. Concerning the PGAs, ENABLE=0 means also that inputs and outputs are wired together and that the acquisition chain is not perturbed by the block.	0000
FIN(1:0)	<u>RegACCfg2</u>	wr	'00': RC = psck = 4 fs '01': RC / 2 = psck = 4 fs '10': RC / 8 = psck = 4 fs '11': RC / 32 = psck = 4 fs Rem: do not select an fs clock that is faster than 512 kHz.	00
IB_AMP_PGA(1:0)	<u>RegACCfg1</u>	wr	PGA amplifiers biasing current reduction factor '00': current magnification factor = 0.25 '01': current magnification factor = 0.5 '10': current magnification factor = 0.75 '11': current magnification factor = 1	11
IB_AMP_ADC(1:0)	<u>RegACCfg1</u>	wr	ADC amplifiers biasing current reduction factor. Tuning identical to IB_AMP_PGA	11
NELCONV(1:0)	<u>RegACCfg0</u>	wr	Number of elementary conversions '00': 1 conversion, '01': 2 conversions '10': 4 conversions, '11': 8 conversions	01
OSR(2:0)	<u>RegACCfg0</u>	wr	OverSampling Ratio. Defined as fs/fout. $OSR = 8 * 2^{OSR(2:0)}$. '000': oversampling = 8, ..., '111': oversampling = 1024	010
PGA1_GAIN	<u>RegACCfg3</u>	wr	signal gain of first PGA stage (GD1) '1': nominal gain is 10. '0': nominal gain is 1	0
PGA2_GAIN(1:0)	<u>RegACCfg2</u>	wr	signal gain of second PGA stage (GD2) '11': nominal gain is 10 '10': nominal gain is 5 '01': nominal gain is 2 '00': nominal gain is 1	00
PGA2_OFF(3:0)	<u>RegACCfg2</u>	wr	offset gain of second PGA stage (GDOFF2) bit 3: offset sign ('0': GDOFF2 > 0, '1': GDOFF2 < 0) bits (2:0): offset amplitude '01x1': GDOFF2 = 1.0 nominal, '0100': GDOFF2 = 0.8 nominal, '0011': GDOFF2 = 0.6 nominal, ..., '0000': GDOFF2 = 0.0 nominal, '1001': GDOFF2 = -0.2 nominal, ..., '11x1': GDOFF2 = -1.0 nominal	0000

Table 1.10: Peripheral register memory map, bits description

Low-Power Microcontroller XX-XE88LC05

Name	Register	rm	description	Default (reset and DEF mode)
PGA3_GAIN(6:0)	RegACCfg3	wr	signal gain of third stage (GD3) $GD3 = 0.08 * PGA3_GAIN(6:0)$ Nominal values : 0 ('000 0000'), ..., 10 ('111 1000')	000 1100
PGA3_OFF(6:0)	RegACCfg4	wr	offset gain of third stage (GDoff3) bit 6: offset sign ('0' : GDoff3 > 0, '1' : GDoff3 < 0) $GDoff3 = 0.08 * PGA3_OFF(5:0)$, maximum = 5.04 Nominal values : -5.04 ('111 1111'), 0 ('x00 0000'), +5.04 ('011 1111')	000 0000
START	RegACCfg0	wr0	writing a "1" in START bit restarts the ADC. It does not affect the PGAs.	0
TEST	RegACCfg0		reserved	0
VMUX	RegACCfg5	wr	VREF selection multiplexer '0': VREF0 is used, '1': VREF1 is used	0 (reset only)

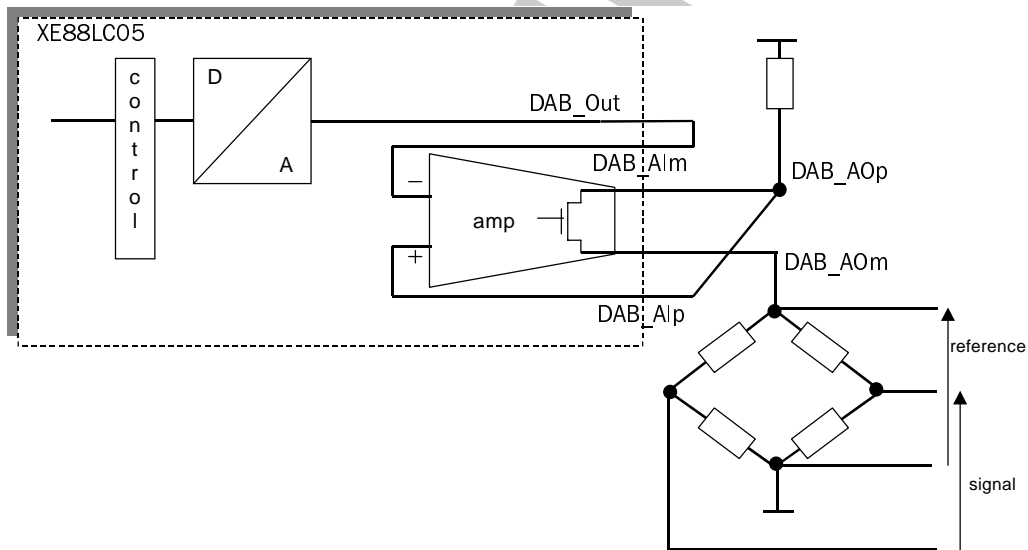
Table 1.10: Peripheral register memory map, bits description

DACs

See XEMICS application note AN8000.03 for detailed information about the XE88LC05 DACs.

Bias DAC

The bias DAC is a low resolution (8 bits) DAC with a buffer perfectly adapted to sensor bridge bias. It can be used to bias a bridge in current (figure) or in voltage by choosing the pins connection.



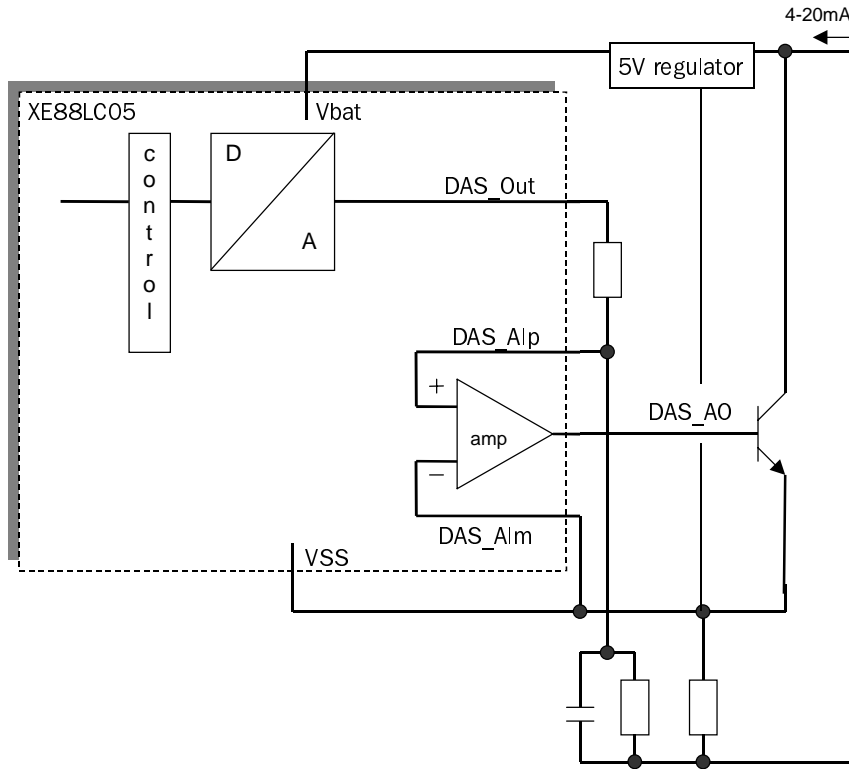
Current controlled bridge bias

The bias DAC itself is built off a series of resistors which two extremes are available outside the chip, so that one can connect it to an external source when the output of the DAC should not be ratiometric to the power supply.

Low-Power Microcontroller XX-XE88LC05

Signal DAC

The signal DAC is build around a programmable DAC and a buffer. It can generate fast (up to 64 kHz) or high resolution (resolution up to 16 bits) output. The output can be controlled in current or voltage.



4-20mA loop including the circuit (and bridge) current consumption

Prelim

Low-Power Microcontroller

XX-XE88LC05

XE8000 Family

Features

The main characteristics of the XE8000 MCU family is

- Ultra low power operation
- Low voltage operation (1.2 V for the XE88LC04, XE88LC06 and XE88LC07, 2.4 V for the others)
- High efficiency CPU
 - 1 instruction per clock cycle, for all instructions
 - 22 bits wide instructions
 - Integrated 8x8 -> 16 bits multiplier
 - All instructions on one page
 - 8 bits data bus
 - 8 addressing modes
- MTP (multiple time programmable) memory available
- Dual clock (X-tal and/or RC)
- Each peripheral can be set on/off individually for minimal power consumption
- UART
- Watch dog
- 4x8 bits timers with PWM ability
- Advanced acquisition path
 - Fully differential analog signal path on signal and reference
 - 4x2 or 7x1 + 1 signal input
 - 2x2 reference input
 - 0.5 - 1000 programmable gain amplifier
 - Offset programmed over +/- 10 full scale
 - 5 - 16 bits resolution ADC
 - Low speed modes with reduced bias current for minimal power consumption
- Bias and signal DACs for resistive bridge sensing and analog output
- Complete development tools using Windows95 or NT graphical interface
 - Assembler
 - ANSI-C compiler
 - Source level debugger
 - Current and memory usage monitoring (Profiler)
 - CPU Simulator
 - CPU Emulator XE8000HaCE
 - Programmer and starter kit (XE88LC01ProStart)
 - Hardware emulators (works with XE8000HaCE, in preparation)

Family

The XE8000 Family ultra low-power microcontroller is made of several members, all using the same microprocessor core and differing by the peripherals available.

The XE88LC01 is a low power sensing microcontroller, based on the XE88LC03, with an advanced acquisition path including differential programmable gain amplifiers and a high resolution analog to digital converter. Its main applications are dataloggers and process control.

The XE88LC02 is a low power sensing microcontroller, based on the XE88LC06 with the analog part of the XE88LC01, with an additional LCD driver. Its main applications are metering and dataloggers.

The XE88LC03 is a low power, low voltage, general purpose microcontroller. Its main points are the very efficient CoolRISC core, the low voltage function and the real time clock. Its main applications are low voltage control and supervision.

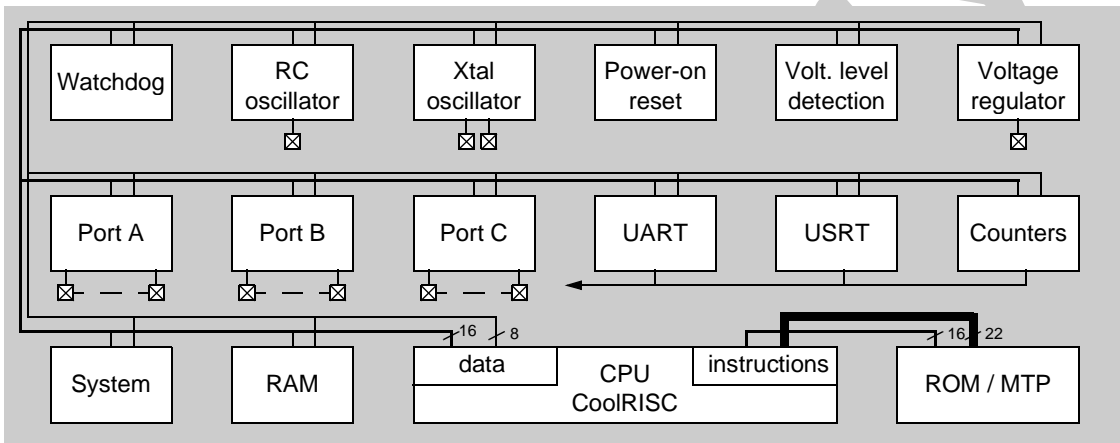
Low-Power Microcontroller XX-XE88LC05

The XE88LC04 is a low power, low voltage, general purpose microcontroller, based on the XE88LC06, with an additional LCD driver. Its main points are the very efficient CoolRISC core, the low voltage function and the real time clock. Its main applications are low voltage control and supervision.

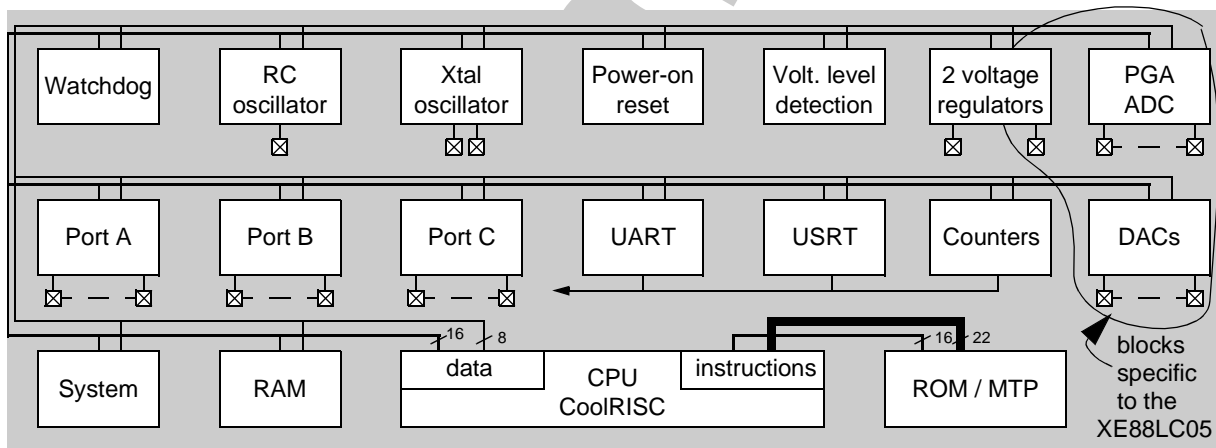
The XE88LC05 is a low power sensing microcontroller, based on the XE88LC01, with analog outputs. Its main applications are piezoresistive sensors and 4 - 20 mA loops systems.

The XE88LC06 is an improved XE88LC03, with 4 low power analog comparators. Its main applications are low voltage control and supervision.

The XE88LC07 is a smaller and even lower power microcontroller, based on the XE88LC06, with less memory.



XE88LC03 block schematics



XE88LC05 block schematics.

	XE88LC01	XE88LC02	XE88LC03	XE88LC04	XE88LC05	XE88LC06	XE88LC07
Supply voltage	2.7 - 5.5 V	2.4 - 5.5 V	2.7 - 5.5 V	1.2- 5.5 V for ROM 2.4 - 5.5 V for MTP	2.7 - 5.5 V	1.2- 5.5 V for ROM 2.4 - 5.5 V for MTP	1.2- 5.5 V for ROM 2.4 - 5.5 V for MTP
Max speed	2 MIPS	4 MIPS	2 MIPS	4 MIPS at 2.4 V	2 MIPS	4 MIPS at 2.4 V	4 MIPS at 2.4 V
Operating temperature	-40 - 85 °C -40 - 125 °C	-40 - 85 °C -40 - 125 °C	-40 - 85 °C	-40 - 85 °C	-40 - 85 °C -40 - 125 °C	-40 - 85 °C -40 - 125 °C	-40 - 85 °C -40 - 125 °C

Table 1.11: List of the XE8000 family members functions

Low-Power Microcontroller

XX-XE88LC05

	XE88LC01	XE88LC02	XE88LC03	XE88LC04	XE88LC05	XE88LC06	XE88LC07
CPU	CoolRISC 816, 22 bits instructions 8 bits data HW multiplier	CoolRISC 816, 22 bits instructions 8 bits data HW multiplier	CoolRISC 816, 22 bits instructions 8 bits data HW multiplier	CoolRISC 816, 22 bits instructions 8 bits data HW multiplier	CoolRISC 816, 22 bits instructions 8 bits data HW multiplier	CoolRISC 816, 22 bits instructions 8 bits data HW multiplier	CoolRISC 816, 22 bits instructions 8 bits data HW multiplier
Program memory	8k Instructions = 22 kB ROM or MTP	8k Instruction = 22 kB ROM or MTP	8k Instructions = 22 kB ROM or MTP	8k Instructions = 22 kB ROM or MTP	8k Instructions = 22 kB ROM or MTP	8k Instructions = 22 kB ROM or MTP	2k Instructions = 5.5 kB ROM or MTP
Data memory	512 Bytes	512 Bytes	512 Bytes	512 Bytes	512 Bytes	512 Bytes	128 Bytes
Port A	8 input and external interrupt	8 input and external interrupt	8 input and external interrupt	8 input and external interrupt	8 input and external interrupt	8 input and external interrupt	0-4 input and external interrupt
Port B	8 input/output and analog	8 input/output and analog	8 input/output and analog	8 input/output and analog	8 input/output and analog	8 input/output and analog	8 input/output and analog
Port C	8 input/output	8 input/output	4 to 8 input/output	4 to 8 input/output	8 input/output	8 input/output	
Watchdog timer	yes	yes	yes	yes	yes	yes	yes
General purpose timers with PWM	4 x 8 bits	4 x 8 bits	4 x 8 bits	4 x 8 bits	4 x 8 bits	4 x 8 bits	4 x 8 bits
UART	yes	yes	yes	yes	yes	yes	yes
2-3 wires serial interface	transition detection + software	transition detection + software	transition detection + software	transition detection + software	transition detection + software	transition detection + software	transition detection + software
Voltage level detector	yes	yes	yes	yes	yes	yes	yes
Oscillators	32 kHz quartz, internal RC	32 kHz quartz, internal RC	32 kHz quartz, internal RC	32 kHz quartz, internal RC	32 kHz quartz, internal RC	32 kHz quartz, internal RC	32 kHz quartz, internal RC
LCD drivers		yes		yes			
Analog mux	Port B and 4x2 or 7x1+1	Port B and 4x2 or 7x1+1	Port B	Port B	Port B and 4x2 or 7x1+1	Port B	Port B
LP comparators		4		4		4	4
PGA	gain 0.5 - 1000	gain 0.5 - 1000			gain 0.5 - 1000		
ADC	5 - 16 bits resolution	5 - 16 bits resolution			5 - 16 bits resolution		
DAC	PWM	PWM	PWM	PWM	PWM in timers 8 bit bias DAC, 4 - 16 bits signal DAC	PWM	PWM
Package	TQFP44, die		SO28, TQFP32, die		TQFP64, die	SO28, TQFP32, die	SO16, SO20, die
Availability	Q2/00	samples Q1/01	Q2/00 LC06 is a better choice for new designs	samples Q1/01	yes	samples Q3/00	

Table 1.11: List of the XE8000 family members functions

Contacting XEMICS

You can contact XEMICS at
 XEMICS SA
 Tel: +41 32 720 5170
 Fax: +41 32 720 5770
 E-mail: info@xemics.ch

You will find more information about the XE88LC05 and other XEMICS products, as well as addresses of our representatives and distributors for your region on www.xemics.ch.

Copyright XEMICS

All rights are reserved. Reproduction whole or in part is prohibited without the prior written consent of the copyright owner. The information presented in this document does not form part of any quotation or contract, is believed to be accurate and reliable and may be changed without notice. No liability will be accepted by the publisher for any consequence of its use. Publication thereof does not convey nor imply any license under patent- or other industrial or intellectual property rights.

Printed in Switzerland.

SUNSTAR 商斯达实业集团是集研发、生产、工程、销售、代理经销、技术咨询、信息服务等为一体的高科技企业，是专业高科技电子产品生产厂家，是具有 10 多年历史的专业电子元器件供应商，是中国最早和最大的仓储式连锁规模经营大型综合电子零部件代理分销商之一，是一家专业代理和分销世界各大品牌 IC 芯片和电子元器件的连锁经营综合性国际公司，专业经营进口、国产名厂名牌电子元件，型号、种类齐全。在香港、北京、深圳、上海、西安、成都等全国主要电子市场设有直属分公司和产品展示展销窗口门市部专卖店及代理分销商，已在全国范围内建成强大统一的供货和代理分销网络。我们专业代理经销、开发生产电子元器件、集成电路、传感器、微波光电元器件、工控机/DOC/DOM 电子盘、专用电路、单片机开发、MCU/DSP/ARM/FPGA 软件硬件、二极管、三极管、模块等，是您可靠的一站式现货配套供应商、方案提供商、部件功能模块开发配套商。商斯达实业公司拥有庞大的资料库，有数位毕业于著名高校——有中国电子工业摇篮之称的西安电子科技大学（西军电）并长期从事国防尖端科技研究的高级工程师为您精挑细选、量身订做各种高科技电子元器件，并解决各种技术问题。

微波光电部专业代理经销高频、微波、光纤、光电元器件、组件、部件、模块、整机；电磁兼容元器件、材料、设备；微波 CAD、EDA 软件、开发测试仿真工具；微波、光纤仪器仪表。欢迎国外高科技微波、光纤厂商将优秀产品介绍到中国、共同开拓市场。长期大量现货专业批发高频、微波、卫星、光纤、电视、CATV 器件：晶振、VCO、连接器、PIN 开关、变容二极管、开关二极管、低噪晶体管、功率电阻及电容、放大器、功率管、MMIC、混频器、耦合器、功分器、振荡器、合成器、衰减器、滤波器、隔离器、环行器、移相器、调制解调器；光电子器件和组件：红外发射管、红外接收管、光电开关、光敏管、发光二极管和发光二极管组件、半导体激光二极管和激光器组件、光电探测器和光接收组件、光发射接收模块、光纤激光器和光放大器、光调制器、光开关、DWDM 用光发射和接收器件、用户接入系统光收发器件与模块、光纤连接器、光纤跳线/尾纤、光衰减器、光纤适配器、光隔离器、光耦合器、光环行器、光复用器/转换器；无线收发芯片和模组、蓝牙芯片和模组。

更多产品请看本公司产品专用销售网站：

商斯达微波光电产品网：[HTTP://www.rfoe.net/](http://www.rfoe.net/)

商斯达中国传感器科技信息网：<http://www.sensor-ic.com/>

商斯达工控安防网：<http://www.pc-ps.net/>

商斯达电子元器件网：<http://www.sunstare.com/>

商斯达消费电子产品网：<http://www.icasic.com/>

商斯达实业科技产品网：<http://www.sunstars.cn/> 射频微波光电元器件销售热线：

地址：深圳市福田区福华路福庆街鸿图大厦 1602 室

电话：0755-83396822 83397033 83398585 82884100

传真：0755-83376182 (0) 13823648918 MSN: SUNS8888@hotmail.com

邮编：518033 E-mail:szss20@163.com QQ: 195847376

深圳赛格展销部：深圳华强北路赛格电子市场 2583 号 电话：0755-83665529 25059422

技术支持：0755-83394033 13501568376

欢迎索取免费详细资料、设计指南和光盘；产品凡多，未能尽录，欢迎来电查询。

北京分公司：北京海淀区知春路 132 号中发电子大厦 3097 号

TEL: 010-81159046 82615020 13501189838 FAX: 010-62543996

上海分公司：上海市北京东路 668 号上海赛格电子市场 D125 号

TEL: 021-28311762 56703037 13701955389 FAX: 021-56703037

西安分公司：西安高新开发区 20 所(中国电子科技集团导航技术研究所)

西安劳动南路 88 号电子商城二楼 D23 号

TEL: 029-81022619 13072977981 FAX:029-88789382