



ACD2202

CATV/TV/Video Downconverter
with Dual Synthesizer
Data Sheet - Rev 2.1

FEATURES

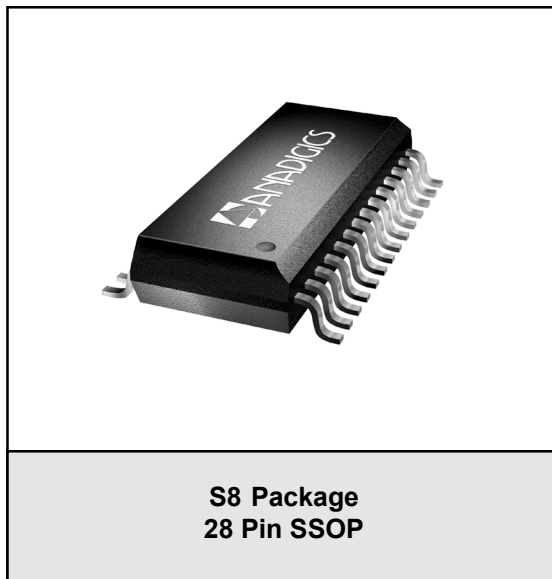
- Integrated Downconverter
- Integrated Dual Synthesizer
- 256 QAM Compatibility
- Single +5 V Power Supply Operation
- Low Power Consumption: <0.6 W
- Low Noise Figure: 8 dB
- High Conversion Gain: 10 dB
- Low Distortion: -53 dBc
- Three-Wire Interface
- Small Size
- -40 °C to +85 °C

APPLICATIONS

- Set Top Boxes
- CATV Video Tuners
- Digital TV Tuners
- CATV Data Tuners
- Cable Modems

PRODUCT DESCRIPTION

The ACD2202 uses both GaAs and Si technology to provide the downconverter and dual synthesizer functions in a double conversion tuner gain block, local oscillator, balanced mixer and dual synthesizer. The specifications meet the requirements of CATV/TV/Video and Cable Modem Data applications. The ACD2202 is supplied in a 28 lead SSOP package and requires a single +5 V supply voltage.



The IC is well suited for applications where small size, low cost, low auxiliary parts count and a no-compromise performance is important. It provides for cost reduction by lowering the component and packaged IC count and decreasing the amount of labor-intensive production alignment steps, while significantly improving performance and reliability.

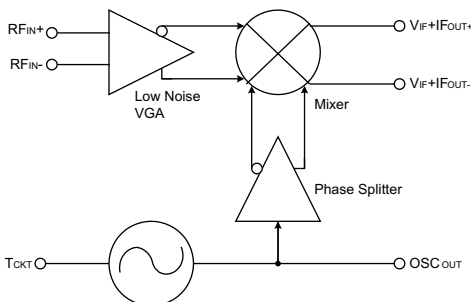


Figure 1: Downconverter Block Diagram

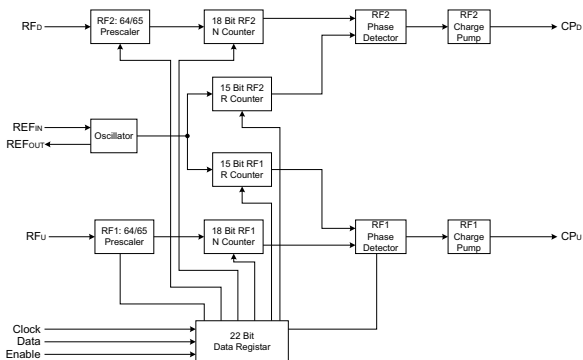


Figure 2: Dual Synthesizer Block Diagram

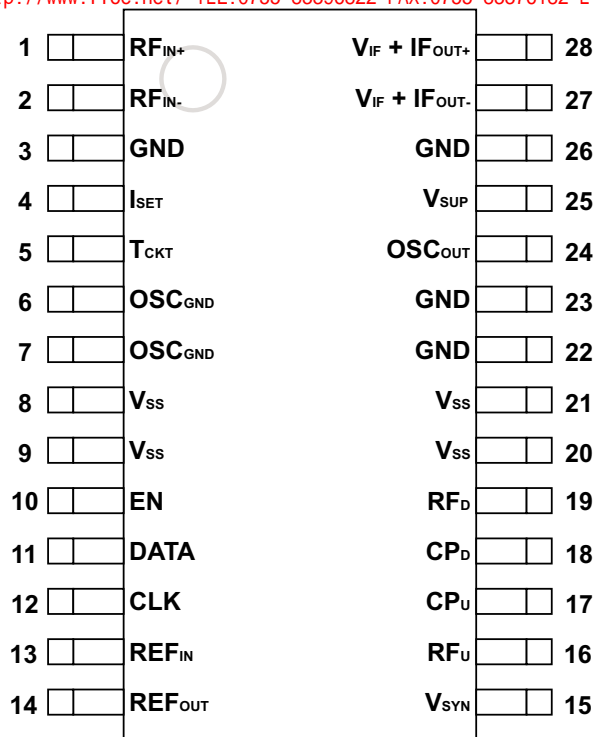


Figure 3: Pinout

Table 1: Pin Description

| PIN | NAME | DESCRIPTION | PIN | NAME | DESCRIPTION |
|-----|--------------------|---|-----|------------------------|--|
| 1 | RF _{IN+} | Downconverter Differential RFInput | 28 | V _{IF+IFOUT+} | Downconverter Differential IFOutput Inductively coupled to +V _{DD} |
| 2 | RF _{IN-} | Downconverter Differential RFInput | 27 | V _{IF+IFOUT-} | Downconverter Differential IFOutput Inductively coupled to +V _{DD} |
| 3 | GND | Downconverter Ground (Must be connected) | 26 | GND | Downconverter Ground (Must be connected) |
| 4 | I _{SET} | Downconverter Gilbert Cell Current Source Resistor | 25 | V _{SUP} | Oscillator and Phase Splitter Supply (+V _{DD}) |
| 5 | T _{CKT} | Oscillator Input Port (Tank circuit connection) | 24 | OSC _{OUT} | Oscillator Output (Connected to Synthesizer RF Input) |
| 6 | OSC _{GND} | Oscillator Tank Circuit Ground (Not to be connected to any other circuit ground) | 23 | G _{ND} | Downconverter Ground (Must be connected) |
| 7 | OSC _{GND} | Same as Pin 6 | 22 | G _{ND} | Downconverter Ground (Must be connected) |
| 8 | V _{SS} | Synthesizer Ground (Required) | 21 | V _{SS} | Synthesizer Ground (Required) |
| 9 | V _{SS} | Synthesizer Ground (Required) | 20 | V _{SS} | Synthesizer Ground (Required) |
| 10 | EN | 3-Wire Interface Enable | 19 | RF _D | Synthesizer Downconverter RFInput |
| 11 | DATA | 3-Wire Interface Data | 18 | CP _D | Synthesizer Downconverter Charge Pump Output |
| 12 | CLK | 3-Wire Interface Clock | 17 | CP _U | Synthesizer Upconverter Charge Pump Output |
| 13 | REF _{IN} | Crystal Reference Input | 16 | RF _U | Synthesizer Upconverter RFInput |
| 14 | REF _{OUT} | Crystal Reference Output | 15 | V _{SYN} | Synthesizer Supply (+V _{DD}) |

ELECTRICAL CHARACTERISTICS**Table 2: Absolute Minimum and Maximum Ratings**

| PARAMETER | MIN | MAX | UNIT |
|---|-------------|-------------------|------|
| Supply Voltage (pins 25, 27 & 28) (pin 15) | - - | +9 +6.5 | VDC |
| Voltage on pins 10 through 14, 16 through 19 with $V_{SS} = 0$ V | -0.3 | $V_{SYN} + 0.3$ | VDC |
| Input Voltages (pins 1, 2 & 5) | - | 0 | VDC |
| Input Power (pins 1 & 2) (pin 5) (pins 13, 16 & 19) | - - - | +10 +17 +20 | dBm |
| Storage Temperature | -55 | +150 | °C |
| Soldering Temperature | - | 260 | °C |
| Soldering Time | - | 4 | Sec |
| Thermal Impedance, θ_{JC} | - | 40 | °C/W |

Stresses in excess of the absolute ratings may cause permanent damage. Functional operation is not implied under these conditions. Exposure to absolute ratings for extended periods of time may adversely affect reliability.

Table 3: Operating Ranges

| PARAMETER | MIN | TYP | MAX | UNIT |
|---|----------------------|------------------|--------------------------|------|
| Downconverter Frequencies ⁽¹⁾ RF Input (RF) IF Output (IF) Local Oscillator (LO) | 900 35 865 | - - - | 1200 150 1350 | MHz |
| Synthesizer Frequencies Upconverter Synthesizer (RF_U) Downconverter Synthesizer (RF_D) Reference Oscillator (REF_N) Phase Detector | 400 400 2 - | - - 4 - | 2100 1400 20 10 | MHz |
| Supply Voltage: V_{DD} (pins 15, 25, 27, 28) | +4.70 | +5 | +5.25 | VDC |
| Ambient Operating Temperature: T_A ⁽²⁾ | -40 | - | +85 | °C |

The device may be operated safely over these conditions; however, parametric performance is guaranteed only over the conditions defined in the electrical specifications.

Notes:

- (1) Mixer operation is possible beyond these frequencies with slightly reduced performance.
- (2) Case Temperature is 15 °C higher than Ambient Temperature, when Ambient Temperature is +25 °C, using the PC Board Layout shown in Figures 23-25.

Table 4: Electrical Specifications - Downconverter Section
 ($T_A = 25\text{ }^\circ\text{C}$ ⁽⁷⁾, $V_{DD} = +5\text{ VDC}$, $R_{F\text{IN}} = 1087\text{ MHz}$, $I_{F\text{OUT}} = 45\text{ MHz}$)

| PARAMETER | MIN | TYP | MAX | UNIT |
|--|-----|-----|-------|--------|
| Conversion Gain ⁽¹⁾ | 8 | 10 | 14 | dB |
| Conversion Gain ⁽²⁾ | 11 | 13 | 17 | dB |
| SSB Noise Figure ^{(2), (3)} | - | 4 | 7 | dB |
| Cross Modulation ^{(2), (4), (6)} | - | -56 | -53 | dBc |
| 3 rd Order Intermodulation Distortion (IMD3) ^{(2), (5), (6)} | - | - | -53 | dBc |
| 2-Tone 3 rd Order Input Intercept Point (IIP3) ^{(2), (5), (6)} | +12 | - | - | dBm |
| LO Phase Noise (@ 10 KHz Offset) ^{(1), (2)} | - | -90 | -85.5 | dBc/Hz |
| LO Output Power (pin 24) ^{(1), (2)} | -10 | -5 | - | dBm |
| Spurious @ IF Output | | | | |
| LO Signals and Harmonics | - | -10 | - | dBm |
| Beats Within Output Channel | - | -48 | - | dBc |
| Other Beats from 2 to 200 MHz | - | -50 | - | dBm |
| Other Spurious | - | -10 | - | dBm |
| IF Supply Current (pin 27 & 28) ^{(1), (2), (6)} | - | 50 | 65 | mA |
| Osc/Phase Splitter Supply Current (pin 25) | - | 30 | 45 | mA |
| Power Consumption | - | 400 | 550 | mW |

Notes:

- (1) As measured in ANADIGICS test fixture with single-ended RF input.
 (2) As measured in ANADIGICS test fixture with differential RF inputs.
 (3) SSB noise figure will be approximately 3 dB higher with single-ended RF input.
 (4) Two tones: 1085 and 1091 MHz, -20 dBm each, 1091 MHz tone AM-modulated 99% at 15 kHz.
 (5) Two tones: 1085 and 1091 MHz, -15 dBm each.
 (6) $R_1 = 10\text{ Ohms}$.
 (7) Case Temperature is 15 °C higher than Ambient Temperature, when Ambient Temperature is +25 °C, using the PC Board Layout shown in Figures 23-25.

Table 5: Electrical Specifications - Synthesizer Section**(T_A = 25 °C⁽⁴⁾, V_{DD} = +5 VDC)**

| PARAMETER | MIN | TYP | MAX | UNIT | COMMENTS |
|--|-----|-------|-----|------------------|--|
| Prescaler Input Sensitivity | | | | | (over operating frequency) |
| Upconverter: RF _U (pin 16) ⁽¹⁾ | -7 | - | +20 | dBm | T _A = +85 °C, V _{DD} = +4.7 V T _A = +85 °C, V _{DD} = +4.7 V |
| Downconverter: RF _D (pin 19) ⁽²⁾ | -13 | - | +20 | | |
| Upconverter: RF _U (pin 16) ⁽¹⁾ | -6 | - | - | | |
| Downconverter: RF _D (pin 19) ⁽²⁾ | -11 | - | - | | |
| Reference Oscillator Sensitivity (pin 13) | - | 0.5 | - | V _{p-p} | |
| Charge Pump Output Current ⁽³⁾ | | | | | |
| SINK | - | 1.25 | - | mA | |
| SOURCE | - | -1.25 | - | | |
| Supply Current | - | 35 | 50 | mA | |
| Power Consumption | - | 165 | 250 | mW | |

Notes:

(1) Measured at 250 kHz comparison frequency.

(2) Measured at 62.5 kHz comparison frequency.

(3) CP_U and CP_D = V_{CC}/2.

(4) Case Temperature is 15 °C higher than Ambient Temperature, when Ambient Temperature is +25 °C, using the PC Board Layout shown in Figures 23-25.

Table 6: Digital Interface Specifications
 ($T_A = 25\text{ }^\circ\text{C}$, $V_{DD} = +5\text{ VDC}$, ref. Figure 4)

| PARAMETER | MIN | TYP | MAX | UNIT |
|---|-----|-----|------|------|
| Logic High Input: V_H (pins 10, 11, 12) | 2.0 | - | - | V |
| Logic Low Input: V_L (pins 10, 11, 12) | - | - | 0.8 | V |
| Logic Input Current Consumption (pins 10, 11, 12) | - | - | 0.01 | mA |
| Data to Clock Set Up Time: t_{CS} | 50 | - | - | ns |
| Data to Clock Hold Time: t_{CH} | 10 | - | - | ns |
| Clock Pulse Width High: t_{CWH} | 50 | - | - | ns |
| Clock Pulse Width Low: t_{CWL} | 50 | - | - | ns |
| Clock to Load Enable Setup Time: t_{ES} | 50 | - | - | ns |
| Load Enable Pulse Width: t_{EW} | 50 | - | - | ns |
| Rise Time: t_R | - | 10 | - | ns |
| Fall Time: t_F | - | 10 | - | ns |

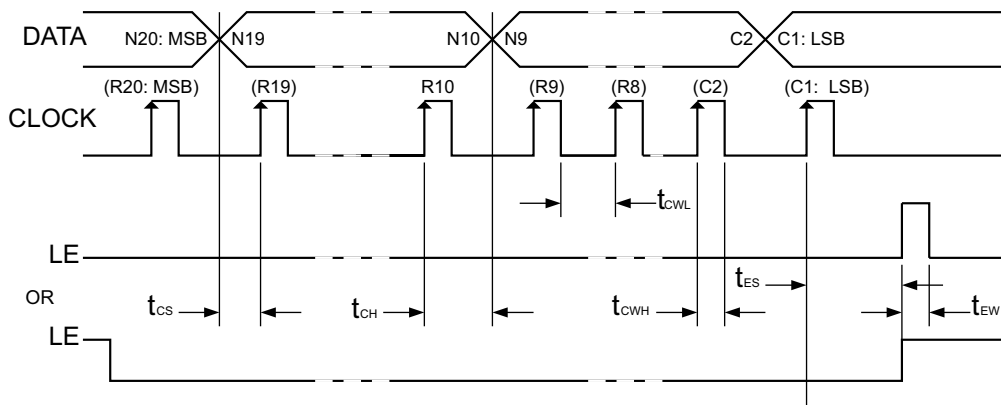


Figure 4: Serial Data Input Timing

PERFORMANCE DATA

Figure 5: Typical Conversion Gain and Noise Figure vs. Supply Voltage
 (T_A = +25 °C, f_{LO2} = 1042 MHz)

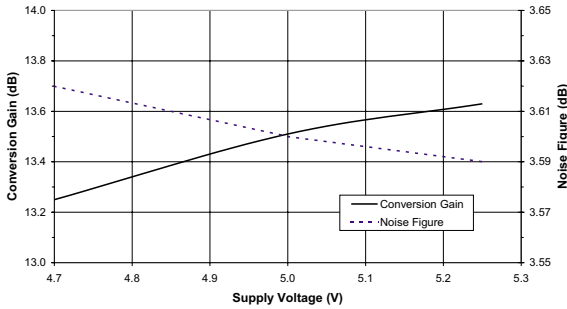


Figure 6: Typical Conversion Gain and Noise Figure vs. Ambient Temperature
 (V_{DD} = +5 V, f_{LO2} = 1042 MHz)

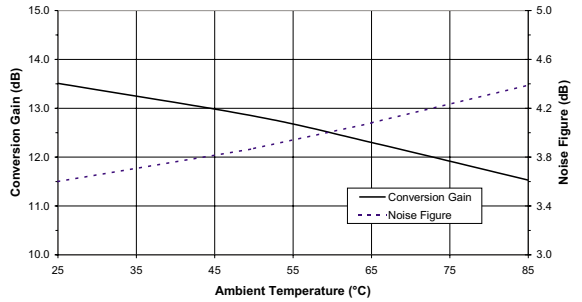


Figure 7: Typical Phase Noise at 10 kHz Offset vs. Supply Voltage
 (T_A = +25 °C, f_{LO2} = 1042 MHz)

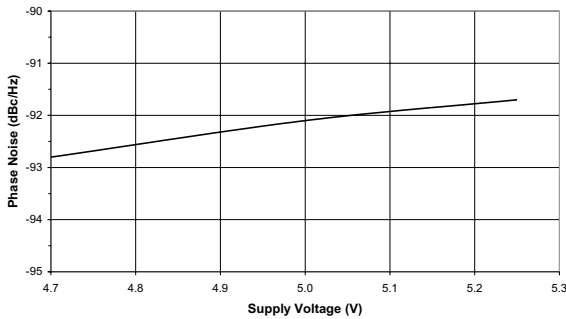


Figure 8: Typical Phase Noise at 10 kHz Offset vs. Ambient Temperature
 (V_{DD} = +5 V, f_{LO2} = 1042 MHz)

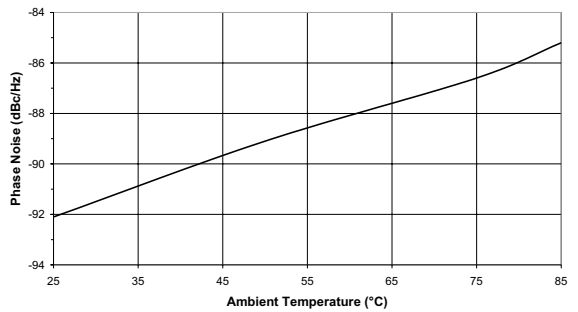


Figure 9: Typical Local Oscillator Output Power vs. Supply Voltage
 (T_A = +25 °C, f_{LO2} = 1042 MHz)

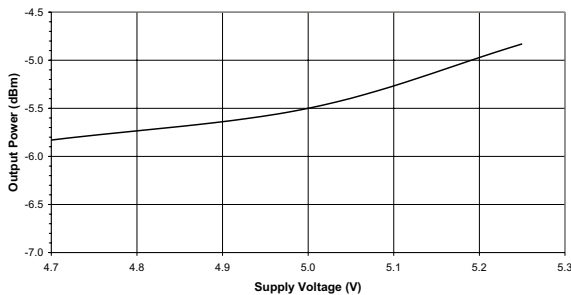


Figure 10: Typical Local Oscillator Output Power vs. Ambient Temperature
 (V_{DD} = +5 V, f_{LO2} = 1042 MHz)

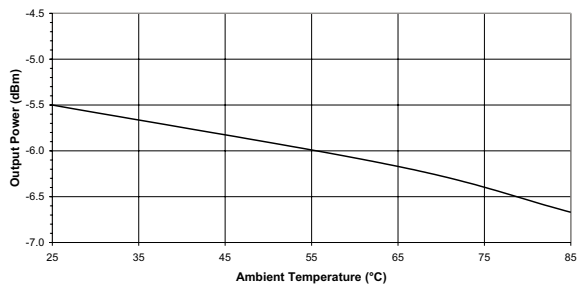


Figure 11: Typical Upconverter Prescaler Sensitivity vs. Local Oscillator Frequency
($T_A = +25\text{ }^\circ\text{C}$, $V_{DD} = +5\text{ V}$)

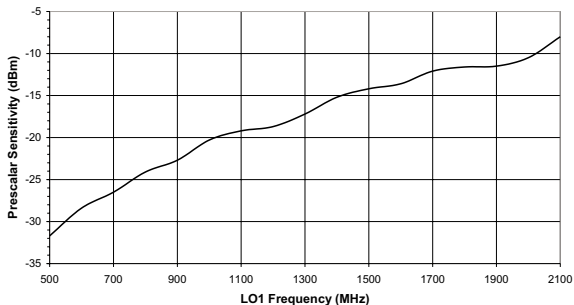


Figure 12: Typical Downconverter Prescaler Sensitivity vs. Local Oscillator Frequency
($T_A = +25\text{ }^\circ\text{C}$, $V_{DD} = +5\text{ V}$)

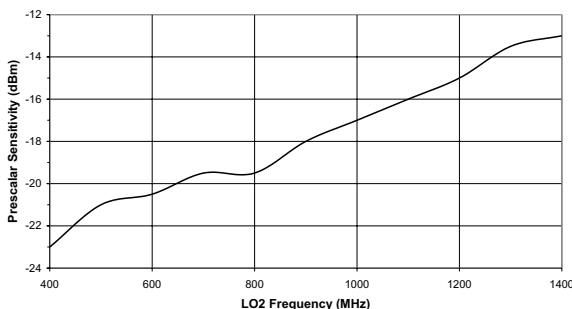


Figure 13: Typical Upconverter Prescaler Sensitivity vs. Supply Voltage
($T_A = +25\text{ }^\circ\text{C}$, $f_{LO1} = 2100\text{ MHz}$)

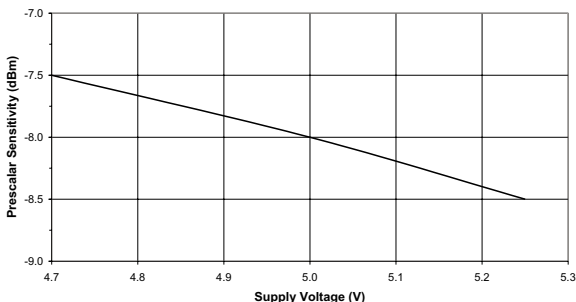


Figure 14: Typical Downconverter Prescaler Sensitivity vs. Supply Voltage
($T_A = +25\text{ }^\circ\text{C}$, $f_{LO2} = 1000\text{ MHz}$)

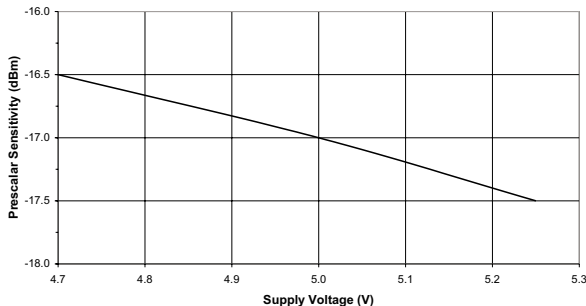


Figure 15: Typical Upconverter Prescaler Sensitivity vs. Ambient Temperature
($V_{DD} = +5\text{ V}$, $f_{LO1} = 2100\text{ MHz}$)

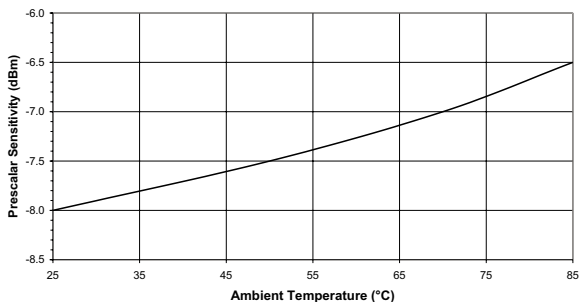


Figure 16: Typical Downconverter Prescaler Sensitivity vs. Ambient Temperature
($V_{DD} = +5\text{ V}$, $f_{LO2} = 1000\text{ MHz}$)

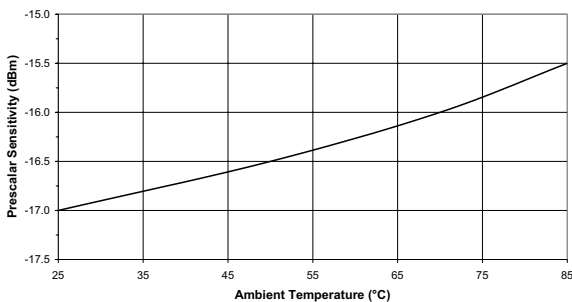


Figure 17: Typical Conversion Gain and Noise Figure vs. LNA/Mixer Current Control Resistor R1
($T_A = +25\text{ }^\circ\text{C}$, $V_{DD} = +5\text{ V}$, $f_{LO2} = 1042\text{ MHz}$)

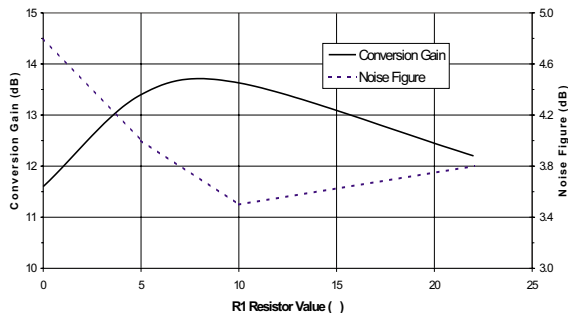


Figure 18: Typical Total Current Consumption vs. LNA/Mixer Current Control Resistor R1
($T_A = +25\text{ }^\circ\text{C}$, $V_{DD} = +5\text{ V}$)

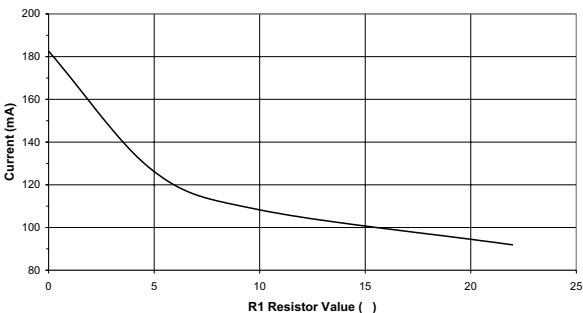


Figure 19: Typical Input IP3 vs. LNA/Mixer Current Control Resistor R1
($T_A = +25\text{ }^\circ\text{C}$, $V_{DD} = +5\text{ V}$)

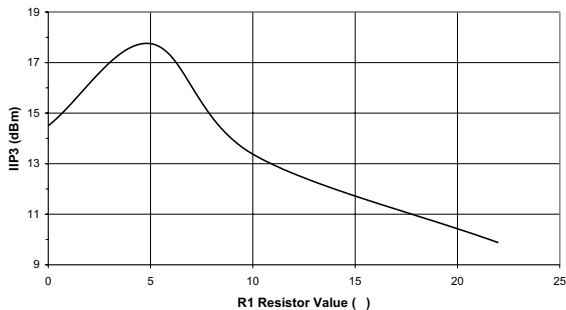
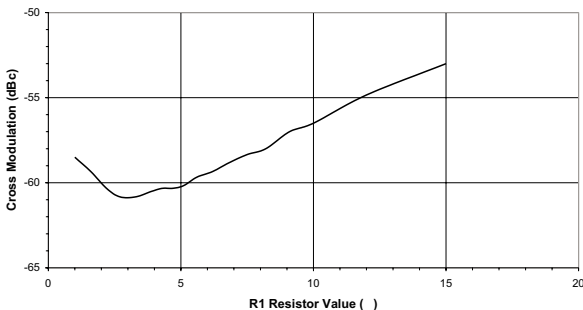


Figure 20: Typical Cross Modulation vs. LNA/Mixer Current Control Resistor R1
($T_A = +25\text{ }^\circ\text{C}$, $V_{DD} = +5\text{ V}$)



LOGIC PROGRAMMING**Synthesizer Register Programming**

The ACD2202 includes two PLL synthesizers. Each synthesizer contains programmable Reference and Main dividers, which allow a wide range of local oscillator frequencies. The 22-bit registers that control the dividers are programmed via a shared three-wire bus, consisting of Data, Clock and Enable lines.

The data word for each register is entered serially in order with the most significant bit (MSB) first and the least significant bit (LSB) last. The rising edge of the Clock pulse shifts each data value into the register. The Enable line must be low for the duration of the data entry, then set high to latch the data into the register. (See Figure 4.)

Register Select Bits

The two least significant bits of each register are register select bits that determine which register is programmed during a particular data entry cycle. Table 7 indicates the register select bit settings used to program each of the available registers.

Table 7: Register Select Bits

| SELECT BITS | | DESTINATION REGISTER FOR SERIAL DATA |
|-------------|-----|--------------------------------------|
| S 2 | S 1 | |
| 0 | 0 | Reference Divider Register for PLL2 |
| 0 | 1 | Main Divider Register for PLL2 |
| 1 | 0 | Reference Divider Register for PLL1 |
| 1 | 1 | Main Divider Register for PLL1 |

Reference Divider Programming

The reference divider register for each synthesizer consists of fifteen divider bits, five program mode bits and the two register select bits, as shown in Table 8. The fifteen divider bits allow a divide ratio from 3 to 32767, inclusive, as shown in Table 9.

Table 8: Reference Divider Registers

| MSB | | | | | | | | | | | | | | | | | LSB | | | | |
|--------------|-----|-----|-----|-----|-----------------------------------|------|------|------|------|------|-----|-----|-----|-----|-----|-----|-----|-----|-----|--------|-----|
| 22 | 21 | 20 | 19 | 18 | 17 | 16 | 15 | 14 | 13 | 12 | 11 | 10 | 9 | 8 | 7 | 6 | 5 | 4 | 3 | 2 | 1 |
| Program Mode | | | | | Reference Divider Divide Ratio, R | | | | | | | | | | | | | | | Select | |
| D 5 | D 4 | D 3 | D 2 | D 1 | R 15 | R 14 | R 13 | R 12 | R 11 | R 10 | R 9 | R 8 | R 7 | R 6 | R 5 | R 4 | R 3 | R 2 | R 1 | S 2 | S 1 |

Table 9: Reference Divider R Counter Bits

| DIVIDE RATIO R | R 15 | R 14 | R 13 | R 12 | R 11 | R 10 | R 9 | R 8 | R 7 | R 6 | R 5 | R 4 | R 3 | R 2 | R 1 |
|----------------|------|------|------|------|------|------|-----|-----|-----|-----|-----|-----|-----|-----|-----|
| 3 | 0 | 0 | 0 | 0 | 0 | 0 | 0 | 0 | 0 | 0 | 0 | 0 | 0 | 1 | 1 |
| 4 | 0 | 0 | 0 | 0 | 0 | 0 | 0 | 0 | 0 | 0 | 0 | 0 | 1 | 0 | 0 |
| - | - | - | - | - | - | - | - | - | - | - | - | - | - | - | - |
| 32767 | 1 | 1 | 1 | 1 | 1 | 1 | 1 | 1 | 1 | 1 | 1 | 1 | 1 | 1 | 1 |

Notes:

Divide ratios less than 3 are prohibited.

Main Divider Programming

The main divider register for each synthesizer consists of seven A counter bits, eleven B counter bits, two program mode bits and the two register select bits, as shown in Table 10. The main divider divide ratio, N, is determined by the values in the A and B counters. The eleven B Counter bits and allowed values are shown in Table 11, and the seven A Counter bits and allowed values are shown in

Table 12. Note that there are some limitations on the ranges of the values for each counter.

Pulse Swallow Function

The VCO output frequency for the local oscillator is computed using the following equation; the variables are defined in Table 13:

$$f_{vco} = N \times f_{osc} / R, \text{ where } N = [(P \times B) + A]$$

MSB **Table 10: Main Divider Registers** **LSB**

| 22 | 21 | 20 | 19 | 18 | 17 | 16 | 15 | 14 | 13 | 12 | 11 | 10 | 9 | 8 | 7 | 6 | 5 | 4 | 3 | 2 | 1 |
|--------------|--------|-----------|---------|--------|--------|--------|--------|--------|--------|--------|--------|--------|-----------|--------|--------|--------|--------|--------|--------|--------|--------|
| Program Mode | | B Counter | | | | | | | | | | | A Counter | | | | | | Select | | |
| C 2 | C 1 | B 11 | B 10 | B 9 | B 8 | B 7 | B 6 | B 5 | B 4 | B 3 | B 2 | B 1 | A 7 | A 6 | A 5 | A 4 | A 3 | A 2 | A 1 | S 2 | S 1 |

Table 11: Main Divider B Counter Bits

| VALUE OF B COUNTER | B 11 | B 10 | B 9 | B 8 | B 7 | B 6 | B 5 | B 4 | B 3 | B 2 | B 1 |
|--------------------|---------|---------|--------|--------|--------|--------|--------|--------|--------|--------|--------|
| 3 | 0 | 0 | 0 | 0 | 0 | 0 | 0 | 0 | 0 | 1 | 1 |
| 4 | 0 | 0 | 0 | 0 | 0 | 0 | 0 | 0 | 1 | 0 | 0 |
| - | - | - | - | - | - | - | - | - | - | - | - |
| 2047 | 1 | 1 | 1 | 1 | 1 | 1 | 1 | 1 | 1 | 1 | 1 |

Notes:

$B > A$, Divide ratios less than 3 are prohibited.

Table 12: Main Divider A Counter Bits

| VALUE OF A COUNTER | A 7 | A 6 | A 5 | A 4 | A 3 | A 2 | A 1 |
|--------------------|--------|--------|--------|--------|--------|--------|--------|
| 0 | 0 | 0 | 0 | 0 | 0 | 0 | 0 |
| 1 | 0 | 0 | 0 | 0 | 0 | 0 | 1 |
| - | - | - | - | - | - | - | - |
| 127 | 1 | 1 | 1 | 1 | 1 | 1 | 1 |

Notes:

$B > A$, $A < P$

Table 13: Variable Definitions

| VAR | DEFINITION |
|-----------|--|
| f_{vco} | Desired output frequency of external voltage controlled oscillator (VCO) |
| B | Divide ratio of B counter (3 to 2047) |
| A | Divide ratio of A counter ($0 < A < P$, $A < B$) |
| f_{osc} | Frequency of external reference crystal or oscillator |
| R | Divide ratio of R counter (3 to 32767) |
| P | Preset modulus of prescaler ($P = 64$) |

Programmable Modes

Each register contains bits set aside for programming different modes of operation in the synthesizers. Currently, the only programmable mode is the polarity of the phase detector in each of the synthesizers. Bit D1 in each reference divider register controls this feature. Bits D2 through D5 in the reference divider registers and bits C1 and C2 in the main divider registers are reserved for future use, and have no current function. They can be set

either high or low without affecting synthesizer performance.

Setting Phase Detector Polarity

Table 14 shows how bit D1 of each reference divider register controls the polarity of the phase detector associated with each PLL. The correct setting is determined by using Table 15 and Figure 21.

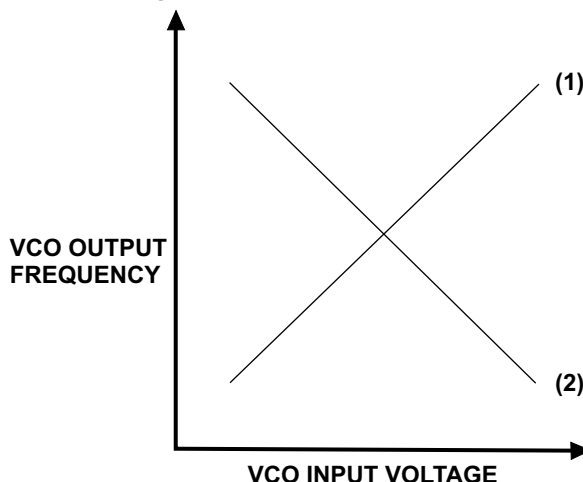
Table 14: Phase Detector Polarity Bit

| S 2 | S 1 | D 1 |
|--------|--------|------------------------------|
| 0 | 0 | PLL2 Phase Detector Polarity |
| 1 | 0 | PLL1 Phase Detector Polarity |

Table 15: Phase Detector Polarity Selection

| D 1 | PHASE DETECTOR POLARITY | VCO CHARACTERISTICS (SEE FIGURE 12) |
|--------|-------------------------------|---|
| 0 | Negative | curve (2) |
| 1 | Positive | curve (1) |

Figure 21: VCO Characteristics



Synthesizer Programming Example

The following example for programming the two synthesizers in the ACD2202 details the calculations used to determine the required value of each bit in all four registers:

Requirements

Desired CATV input channel: "HHH" - 499.25 MHz picture carrier (501 MHz digital channel center frequency)

(Second) IF picture carrier output frequency: 45.75 MHz (44 MHz digital channel center frequency)

First IF frequency: 1087.75 MHz

Phase detector comparison frequency for down converter (also tuning increment): 62.5 KHz

Phase detector comparison frequency for up converter: 250 KHz

Crystal reference oscillator frequency: 4 MHz

Calculation of Reference Divider Values

The value for each reference divider is calculated by dividing the reference oscillator frequency by the desired phase detector comparison frequency:

$$R = f_{OSC} / f_{PD}$$

For the down converter, the 4 MHz crystal oscillator frequency and the 62.5 KHz phase detector comparison frequency are used to yield $R_{PLL2} = 4 \text{ MHz} / 62.5 \text{ KHz} = 64$, and so the bit values for the down converter R counter are $R_{PLL2} = 000000001000000$.

ACD2202

SUNSTAR微波光电 <http://www.rfoe.net/> TEL:0755-83396822 FAX:0755-83376182 E-MAIL:szss20@163.com

For the up converter, the 4 MHz crystal oscillator frequency and the 250 KHz phase detector comparison frequency are used to yield $R_{PLL1} = 4 \text{ MHz} / 250 \text{ KHz} = 16$, and so the bit values for the up converter R counter are $R_{PLL1} = 00000000010000$.

Calculation of Main Divider Values

The values for the A and B counters are determined by the desired VCO output frequency for the local oscillator and the phase detector comparison frequency:

$$N = f_{VCO} / f_{PD} \quad B = \text{trunc}(N / P) \quad A = N - (B \times P)$$

The down converter local oscillator frequency will be $1087.75 \text{ MHz} - 45.75 \text{ MHz} = 1042 \text{ MHz}$ in this example. The main divider ratio for the down converter, then, is $N_{PLL2} = 1042 \text{ MHz} / 62.5 \text{ KHz} = 16672$. Since $P = 64$ in the ACD2202, $B_{PLL2} = \text{trunc}(16672 / 64) = 260$, and $A_{PLL2} = 16672 - (260 \times 64) = 32$. These results give bit values of $B_{PLL2} = 00100000100$ and $A_{PLL2} = 0100000$ for the B and A counters.

The up converter local oscillator frequency will be $499.25 \text{ MHz} + 1087.75 \text{ MHz} = 1587 \text{ MHz}$ in this example. Therefore, $N_{PLL1} = 1587 \text{ MHz} / 250 \text{ KHz} = 6348$, $B_{PLL1} = \text{trunc}(6348 / 64) = 99$, and $A_{PLL1} = 6348 - (99 \times 64) = 12$. These results give bit values of $B_{PLL1} = 00001100011$ and $A_{PLL1} = 0001100$ for the B and A counters.

Phase Detector Polarity

Assuming the VCO for the up converter has a negative slope, the phase detector polarity for PLL1 should be negative, and $D1_{PLL1} = 1$. If the VCO for the down converter has a positive slope, the phase detector polarity for PLL2 should be positive, and $D1_{PLL2} = 0$.

In summary, for this example, the four register programming words are shown in Tables 16 and 17:

**Table 16: PLL1 and PLL2 Reference Divider Register Bits
for Synthesizer Programming Example**

| MSB | | | | | | | | | | | | | | | | | | | LSB | | |
|--------------|----|----|----|----|-----------------------------|----|----|----|----|----|----|----|---|---|---|---|---|---|-----|--------|---|
| 22 | 21 | 20 | 19 | 18 | 17 | 16 | 15 | 14 | 13 | 12 | 11 | 10 | 9 | 8 | 7 | 6 | 5 | 4 | 3 | 2 | 1 |
| Program Mode | | | | | Reference Divider R Counter | | | | | | | | | | | | | | | Select | |
| D | D | D | D | D | R | R | R | R | R | R | R | R | R | R | R | R | R | R | R | S | S |
| 5 | 4 | 3 | 2 | 1 | 15 | 14 | 13 | 12 | 11 | 10 | 9 | 8 | 7 | 6 | 5 | 4 | 3 | 2 | 1 | 2 | 1 |
| 0 | 0 | 0 | 0 | 1 | 0 | 0 | 0 | 0 | 0 | 0 | 0 | 0 | 1 | 0 | 0 | 0 | 0 | 0 | 0 | 0 | 0 |
| 0 | 0 | 0 | 0 | 0 | 0 | 0 | 0 | 0 | 0 | 0 | 0 | 0 | 0 | 0 | 1 | 0 | 0 | 0 | 0 | 1 | 0 |

**Table 17: PLL1 and PLL2 Main Divider Register Bits
for Synthesizer Programming Example**

| MSB | | | | | | | | | | | | | | | | | | | LSB | | |
|--------------|----|------------------------|----|----|----|----|----|----|----|----|----|----|------------------------|---|---|---|---|---|-----|--------|---|
| 22 | 21 | 20 | 19 | 18 | 17 | 16 | 15 | 14 | 13 | 12 | 11 | 10 | 9 | 8 | 7 | 6 | 5 | 4 | 3 | 2 | 1 |
| Program Mode | | Main Divider B Counter | | | | | | | | | | | Main Divider A Counter | | | | | | | Select | |
| C | C | B | B | B | B | B | B | B | B | B | B | B | A | A | A | A | A | A | A | S | S |
| 2 | 1 | 11 | 10 | 9 | 8 | 7 | 6 | 5 | 4 | 3 | 2 | 1 | 7 | 6 | 5 | 4 | 3 | 2 | 1 | 2 | 1 |
| 0 | 0 | 0 | 0 | 1 | 0 | 0 | 0 | 0 | 0 | 1 | 0 | 0 | 0 | 1 | 0 | 0 | 0 | 0 | 0 | 0 | 1 |
| 0 | 0 | 0 | 0 | 0 | 0 | 1 | 1 | 0 | 0 | 0 | 1 | 1 | 0 | 0 | 0 | 1 | 1 | 0 | 0 | 1 | 1 |

SUNSTAR射频通信 <http://www.rfoe.net/> TEL:0755-83397033 FAX:0755-83376102 E-MAIL:szss20@163.com

APPLICATION INFORMATION

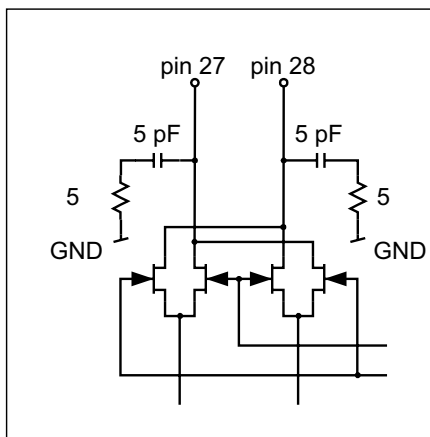
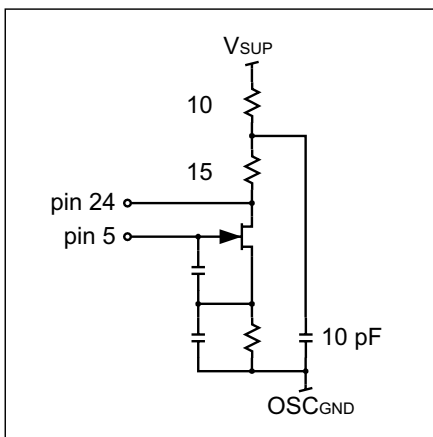
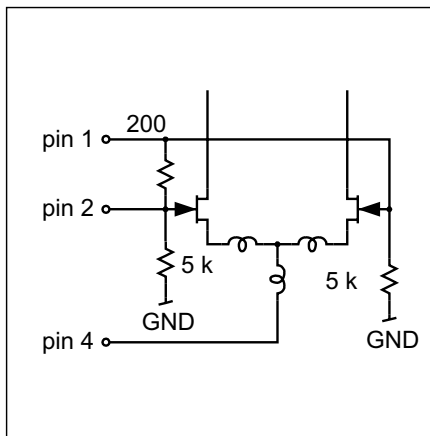
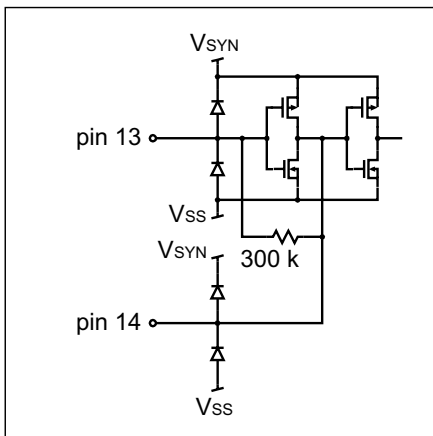
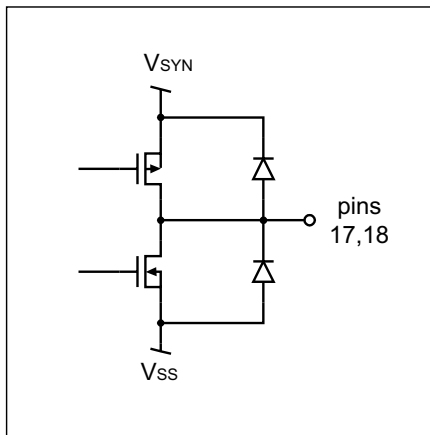
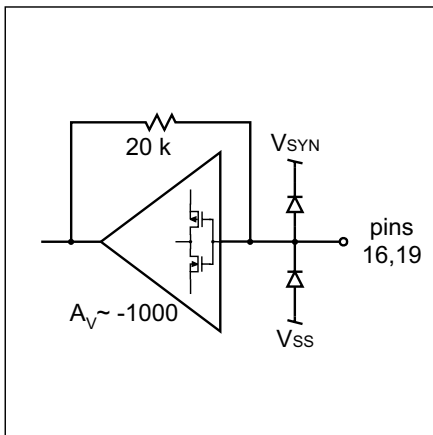


Figure 22: Equivalent Circuits

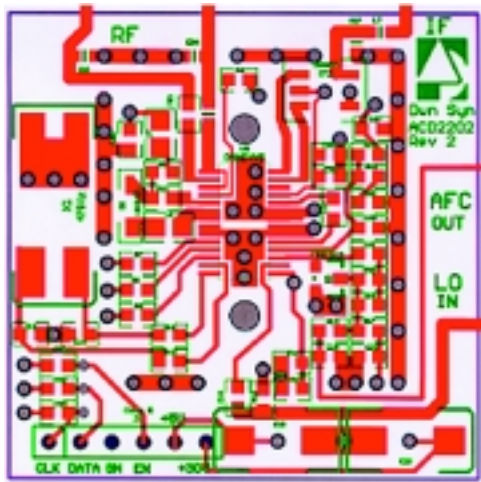


Figure 23: PC Board Layout Top View

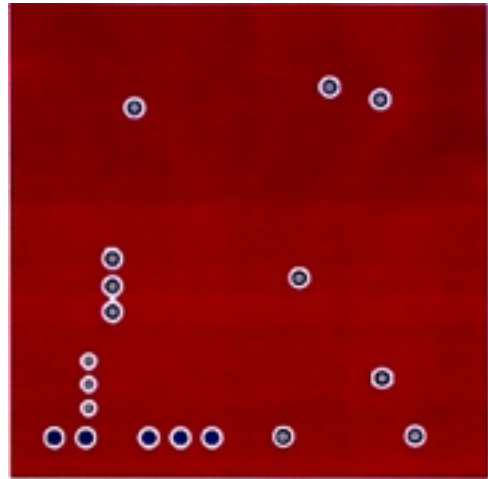


Figure 24: PC Board Layout Mid View

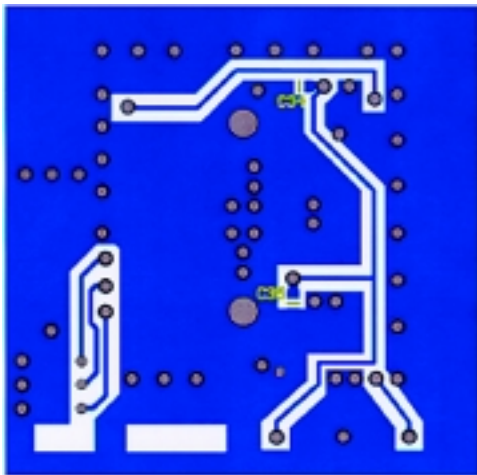


Figure 25: PC Board Layout Bottom View

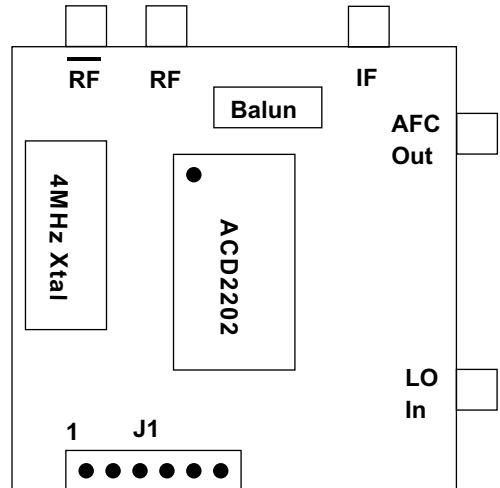


Figure 26: Evaluation Fixture

Table 18: J1 Header Pinout

| PIN | FUNCTION |
|-----|----------|
| 1 | Clock |
| 2 | Data |
| 3 | Ground |
| 4 | Enable |
| 5 | +5 V DC |
| 6 | +30 V DC |

Table 19: Fixture Pinout

| PIN | FUNCTION |
|---------|--|
| RF | Downconverter RF Input |
| RF | Downconverter RF Input |
| IF | IF Output (Single Ended) |
| AFC Out | To Upconverter Oscillator Tuning Circuit |
| LO In | Synthesizer RF _U LO Input |

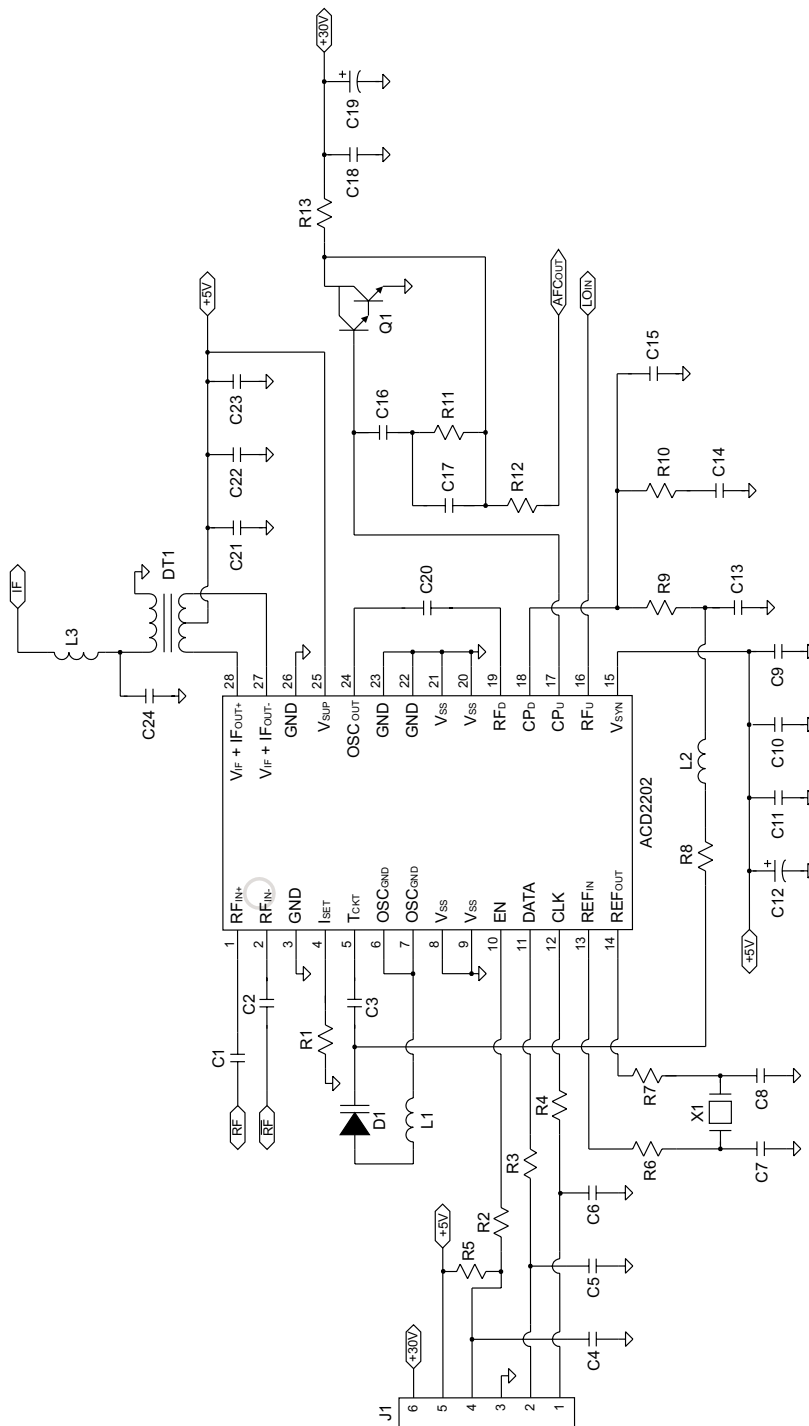


Figure 27: Evaluation Fixture Schematic

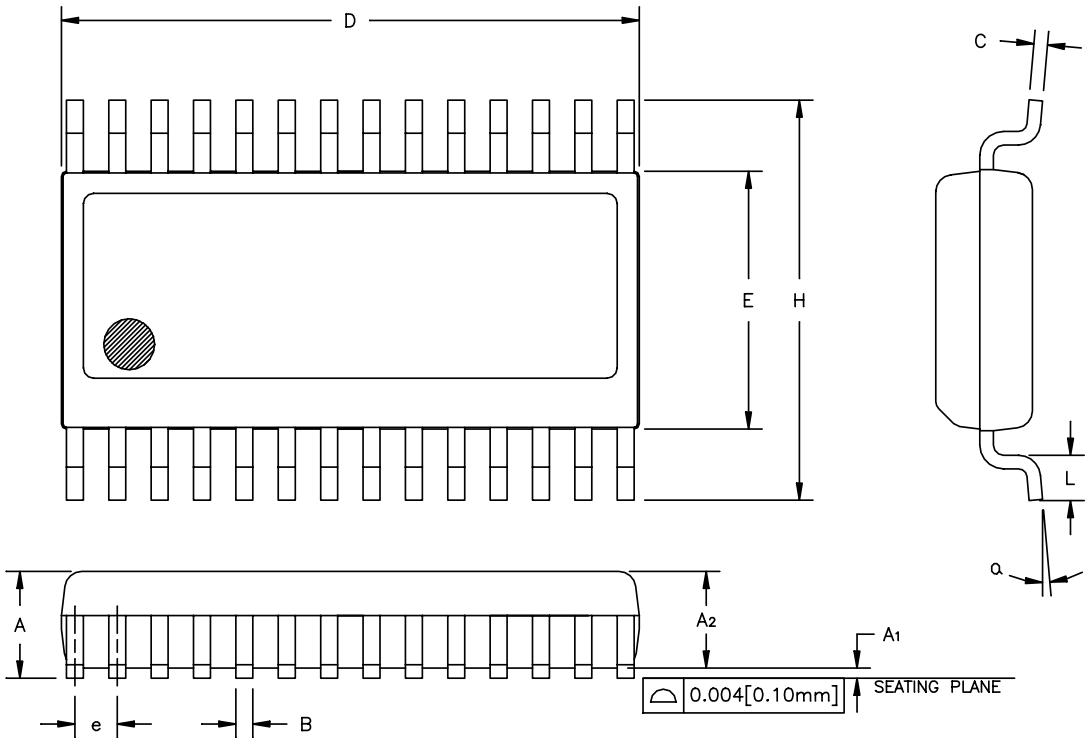
Table 20: Evaluation Fixture Parts List

| ITEM # | VALUE | SIZE | DESCRIPTION | PART # | QTY | VENDOR |
|------------------------|--------|---------------|-------------------------------|----------------------|-----|-----------|
| C1, C2, C20 | 100pF | 0603 | Chip-capacitor | GRM39COG101J50V | 3 | Murata |
| C3 | 9pF | 0603 | Chip-capacitor | GRM39COG090C50V | 1 | Murata |
| C7, C8 | 30pF | 0603 | Chip-capacitor | GRM39COG300J50V | 2 | Murata |
| C12 | 220uF | 10V VA Series | Capacitor | PCE2040CT-ND | 1 | DIGI-KEY |
| C9, C11, C14, C21, C22 | .1uF | 0603 | Chip-capacitor | GRM39Y5V104Z16V | 5 | Murata |
| C10, C23 | 1000pF | 0603 | Chip-capacitor | GRM39X7R102K50V | 2 | Murata |
| C15, C17 | 4700pF | 0603 | Chip-capacitor | GRM39X7R472K25V | 2 | Murata |
| C16 | 1uF | 0603 | Radial-lead Chip-capacitor | RPE113-X7R-105-K-050 | 1 | Murata |
| C18 | .01uF | 0603 | Chip-capacitor | GRM39X7R103K25V | 1 | Murata |
| C19 | 10uF | 35 V TANT | TE Series Cap. | PCS6106CT-ND | 1 | DIGI-KEY |
| C24 | 15pF | 0603 | Chip-capacitor | GRM39COG150J50V | 1 | Murata |
| C13 | 5600pF | 0603 | Chip-capacitor | GRM39X7R562K50V | 1 | Murata |
| C4, C5, C6 | 33pF | 0603 | Chip-capacitor | GRM39COG330J50V | 3 | Murata |
| R8 | 51 | 0603 | Chip Resistor | ERJ-3GSYJ510 | 1 | Panasonic |
| R5 | 10K | 0603 | Chip Resistor | ERJ-3GSYJ103 | 1 | Panasonic |
| R2, R3, R4 | 2K | 0603 | Chip Resistor | ERJ-3GSYJ202 | 3 | Panasonic |
| R12 | 1K | 0603 | Chip Resistor | ERJ-3GSYJ102 | 1 | Panasonic |
| R11 | 2.7K | 0603 | Chip Resistor | ERJ-3GSYJ272 | 1 | Panasonic |
| R7 | 3K | 0603 | Chip Resistor | ERJ-3GSYJ302 | 1 | Panasonic |
| R13 | 22K | 0603 | Chip Resistor | ERJ-3GSYJ223 | 1 | Panasonic |
| R10 | 8.2K | 0603 | Chip Resistor | ERJ-3GSYJ822 | 1 | Panasonic |
| R1 | 10 | 0603 | Chip Resistor | ERJ-3GSYJ100 | 1 | Panasonic |

Table 20: Evaluation Fixture Parts List continued

| ITEM # | VALUE | SIZE | DESCRIPTION | PART # | QTY | VENDOR |
|--------|------------|--------|-------------------------|----------------|-----|--------------------------------|
| R6, R9 | 0 | 0603 | Chip Resistor | ZC0603 | 2 | RCD |
| L1 | 5.6nH | 0805 | Inductor | 0805CS-050X-BC | 1 | Coilcraft |
| L2 | 68nH | 0805 | Inductor | 0805CS-680X-BC | 1 | Coilcraft |
| L3 | 270nH | 0805 | Inductor | 0805CS-271X-BC | 1 | Coilcraft |
| D1 | 1SV245 | | Varactor diode | 1SV245 | 1 | Toshiba |
| DT1 | 4:1 | | Transformer | ETC4-1-2 | 1 | M/A-COM, Inc. North America |
| Q1 | 30V SMD | SOT-23 | Transistor NPN Darl. | FMMTA13CT-ND | 1 | DIGI-KEY |
| X1 | 4MHZ | | Crystal | SE2618CT-ND | 1 | DIGI-KEY |

PACKAGE OUTLINE



NOTES:

1. CONTROLLING DIMENSION: INCHES
2. DIMENSION "D" DOES NOT INCLUDE MOLD FLASH, PROTRUSIONS OR GATE BURRS. MOLD FLASH, PROTRUSIONS AND GATE BURRS SHALL NOT EXCEED 0.006 [0.15mm] PER SIDE.
3. DIMENSION "E" DOES NOT INCLUDE INTER-LEAD FLASH OR PROTRUSIONS. INTER-LEAD FLASH AND PROTRUSIONS SHALL NOT EXCEED 0.010 [0.25mm] PER SIDE.
4. MAXIMUM LEAD TWIST/SKEW TO BE ± 0.0035 [0.089mm].
5. REFERENCE JEDEC MO-137 AF.

| SYMBOL | INCHES | | MILLIMETERS | | NOTE |
|--------|-----------|-------|-------------|-------|------|
| | MIN. | MAX. | MIN. | MAX. | |
| A | 0.053 | 0.069 | 1.35 | 1.75 | |
| A1 | 0.004 | 0.010 | 0.10 | 0.25 | |
| A2 | - | 0.059 | - | 1.50 | |
| B | 0.008 | 0.012 | 0.20 | 0.30 | |
| C | 0.007 | 0.010 | 0.18 | 0.25 | |
| D | 0.386 | 0.394 | 9.80 | 10.00 | 2 |
| E | 0.150 | 0.157 | 3.81 | 3.98 | 3 |
| e | 0.025 BSC | | 0.64 BSC | | 4 |
| H | 0.228 | 0.244 | 5.79 | 6.19 | |
| L | 0.016 | 0.050 | 0.40 | 1.27 | |
| alpha | 0° | 8° | 0° | 8° | |

Figure 28: S8 Package Outline - 28 Pin SSOP

NOTES

ACD2202

SUNSTAR微波光电 <http://www.rfoe.net/> TEL:0755-83396822 FAX:0755-83376182 E-MAIL:szss20@163.com

NOTES

NOTES

ORDERING INFORMATION

| ORDER NUMBER | TEMPERATURE RANGE | PACKAGE DESCRIPTION | COMPONENT PACKAGING |
|--------------|-------------------|---------------------|-----------------------------------|
| ACD2202S8P1 | -40°C to +85°C | 28 Pin SSOP | Tape & Reel, 3500 pieces per reel |
| ACD2202S8P0 | -40°C to +85°C | 28 Pin SSOP | Tubes, 50 pieces per tube |

**ANADIGICS, Inc.**

141 Mount Bethel Road

Warren, New Jersey 07059, U.S.A

Tel: +1 (908) 668-5000

Fax: +1 (908) 668-5132

URL: <http://www.anadigics.com>E-mail: Mktg@anadigics.com**IMPORTANT NOTICE**

ANADIGICS, Inc. reserves the right to make changes to its products or to discontinue any product at any time without notice. The product specifications contained in Advanced Product Information sheets and Preliminary Data Sheets are subject to change prior to a product's formal introduction. Information in Data Sheets have been carefully checked and are assumed to be reliable; however, ANADIGICS assumes no responsibilities for inaccuracies. ANADIGICS strongly urges customers to verify that the information they are using is current before placing orders.

WARNING

ANADIGICS products are not intended for use in life support appliances, devices, or systems. Use of an ANADIGICS product in any such application without written consent is prohibited.

SUNSTAR 商斯达实业集团是集研发、生产、工程、销售、代理经销、技术咨询、信息服务等为一体的高科技企业，是专业高科技电子产品生产厂家，是具有 10 多年历史的专业电子元器件供应商，是中国最早和最大的仓储式连锁规模经营大型综合电子零部件代理分销商之一，是一家专业代理和分销世界各大品牌 IC 芯片和电子元器件的连锁经营综合性国际公司，专业经营进口、国产名厂名牌电子元件，型号、种类齐全。在香港、北京、深圳、上海、西安、成都等全国主要电子市场设有直属分公司和产品展示展销窗口门市部专卖店及代理分销商，已在全国范围内建成强大统一的供货和代理分销网络。我们专业代理经销、开发生产电子元器件、集成电路、传感器、微波光电元器件、工控机/DOC/DOM 电子盘、专用电路、单片机开发、MCU/DSP/ARM/FPGA 软件硬件、二极管、三极管、模块等，是您可靠的一站式现货配套供应商、方案提供商、部件功能模块开发配套商。商斯达实业公司拥有庞大的资料库，有数位毕业于著名高校——有中国电子工业摇篮之称的西安电子科技大学（西军电）并长期从事国防尖端科技研究的高级工程师为您精挑细选、量身订做各种高科技电子元器件，并解决各种技术问题。

微波光电部专业代理经销高频、微波、光纤、光电元器件、组件、部件、模块、整机；电磁兼容元器件、材料、设备；微波 CAD、EDA 软件、开发测试仿真工具；微波、光纤仪器仪表。欢迎国外高科技微波、光纤厂商将优秀产品介绍到中国、共同开拓市场。长期大量现货专业批发高频、微波、卫星、光纤、电视、CATV 器件：晶振、VCO、连接器、PIN 开关、变容二极管、开关二极管、低噪晶体管、功率电阻及电容、放大器、功率管、MMIC、混频器、耦合器、功分器、振荡器、合成器、衰减器、滤波器、隔离器、环行器、移相器、调制解调器；光电子器件和组件：红外发射管、红外接收管、光电开关、光敏管、发光二极管和发光二极管组件、半导体激光二极管和激光器组件、光电探测器和光接收组件、光发射接收模块、光纤激光器和光放大器、光调制器、光开关、DWDM 用光发射和接收器件、用户接入系统光收发器件与模块、光纤连接器、光纤跳线/尾纤、光衰减器、光纤适配器、光隔离器、光耦合器、光环行器、光复用器/转换器；无线收发芯片和模组、蓝牙芯片和模组。

更多产品请看本公司产品专用销售网站：

商斯达中国传感器科技信息网：<http://www.sensor-ic.com/>

商斯达工控安防网：<http://www.pc-ps.net/>

商斯达电子元器件网：<http://www.sunstare.com/>

商斯达微波光电产品网：[HTTP://www.rfoe.net/](http://www.rfoe.net/)

商斯达消费电子产品网：<http://www.icasic.com/>

商斯达实业科技产品网：<http://www.sunstars.cn/> 微波元器件销售热线：

地址：深圳市福田区福华路福庆街鸿图大厦 1602 室

电话：0755-82884100 83397033 83396822 83398585

传真：0755-83376182 (0) 13823648918 MSN: SUNS8888@hotmail.com

邮编：518033 E-mail:szss20@163.com QQ: 195847376

深圳赛格展销部：深圳华强北路赛格电子市场 2583 号 电话：0755-83665529 25059422

技术支持：0755-83394033 13501568376

欢迎索取免费详细资料、设计指南和光盘；产品凡多，未能尽录，欢迎来电查询。

北京分公司：北京海淀区知春路 132 号中发电子大厦 3097 号

TEL: 010-81159046 82615020 13501189838 FAX: 010-62543996

上海分公司：上海市北京东路 668 号上海赛格电子市场 D125 号

TEL: 021-28311762 56703037 13701955389 FAX: 021-56703037

西安分公司：西安高新开发区 20 所(中国电子科技集团导航技术研究所)

西安劳动南路 88 号电子商城二楼 D23 号

TEL: 029-81022619 13072977981 FAX:029-88789382