



AGB3301

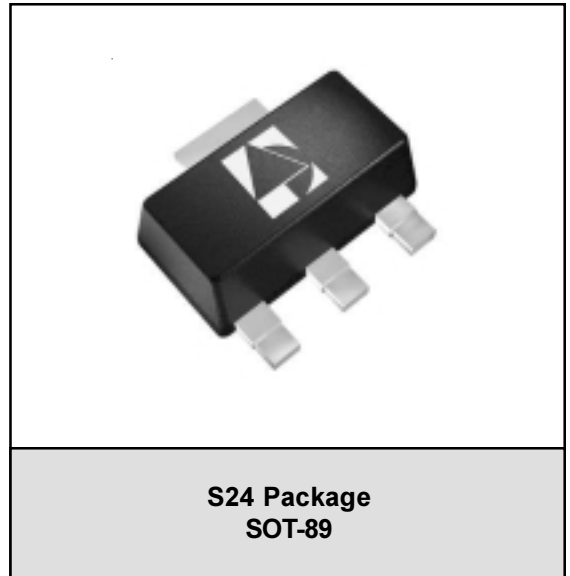
50Ω High Linearity Low Noise
Wideband Gain Block
Data Sheet - Rev 2.0

FEATURES

- 250-3000 MHz Frequency Range
- +45 dBm Output IP3
- Low Noise Figure: 2.4 dB at 900 MHz
- 13.5 dB Gain at 900 MHz
- +24 dBm P1dB
- SOT-89 Package
- Single +5V to +9V Supply
- Low Power: less than 1 Watt
- Case Temperature: -40 to +100 °C

APPLICATIONS

- Cellular Base Stations for W-CDMA, CDMA, TDMA, GSM, PCS and CDPD systems
- Fixed Wireless
- MMDS/WLL
- WLAN, HyperLAN
- CATV



PRODUCT DESCRIPTION

The AGB3301 is one of a series of GaAs MESFET amplifiers designed for use in applications requiring high linearity, low noise and low distortion. With a high output IP3, low noise figure and wide band operation, the AGB3301 is ideal for 50Ω

wireless infrastructure applications such as Cellular Base Stations, MMDS, and WLL. Offered in a low cost SOT-89 surface mount package, the AGB3301 requires a single +5V to +9V supply, and typically consumes less than 1 Watt of power.

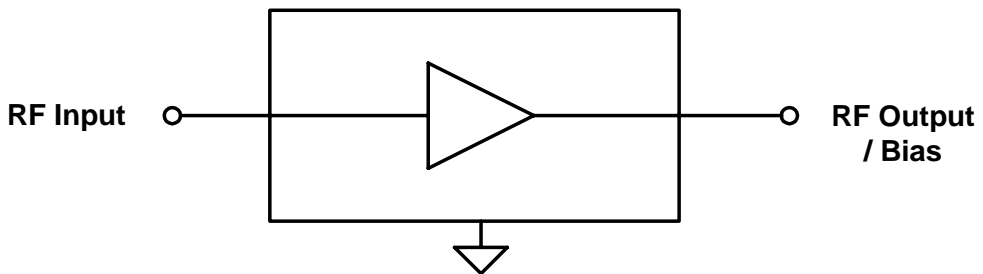


Figure 1: Block Diagram

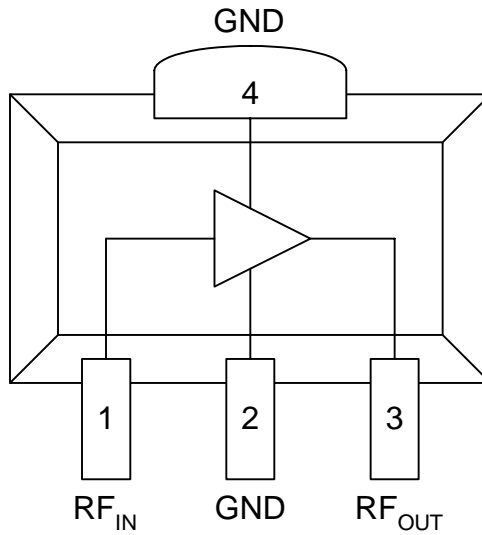


Figure 2: Pin Out

Table 1: Pin Description

PIN	NAME	DESCRIPTION
1	RF _{IN}	RF Input
2	GND	Ground
3	RF _{OUT}	RF Output / Bias
4	GND	Ground

ELECTRICAL CHARACTERISTICS**Table 2: Absolute Minimum and Maximum Ratings**

PARAMETER	MIN	MAX	UNIT
Device Voltage	0	+12	VDC
RF Input Power	-	+15	dBm
Storage Temperature	-40	+150	°C
Channel Temperature	-	+150	°C

Stresses in excess of the absolute ratings may cause permanent damage. Functional operation is not implied under these conditions. Exposure to absolute ratings for extended periods of time may adversely affect reliability.

Table 3: Operating Ranges

PARAMETER	MIN	TYP	MAX	UNIT
Operating Frequency: f	250	-	3000	MHz
Device Voltage: V_{DD}	-	+9	+10	VDC
Case Temperature: T_c	-40	-	+100	°C

The device may be operated safely over these conditions; however, parametric performance is guaranteed only over the conditions defined in the electrical specifications.

Table 4: Electrical Specifications - Unmatched 50 Ω Test Circuit
 ($T_A = +25^\circ\text{C}$, $V_{DD} = +9\text{ VDC}$, $f = 900\text{ MHz}$, see Figure 3)

PARAMETER	MIN	TYP	MAX	UNIT
Gain: S ₂₁	12	13.5	15	dB
Input Return Loss: S ₁₁	-	-15	-10	dB
Output Return Loss: S ₂₂	-	-15	-10	dB
Output IP ₃ ⁽¹⁾	+42	+45	-	dBm
Noise Figure	-	2.4	3.5	dB
Output 1dB Compression: P _{1dB}	-	+24	-	dBm
Thermal Resistance: θ_{JC}	-	-	40	$^\circ\text{C/W}$
Supply Current	90	110	130	mA

Notes:

(1) OIP₃ is measured with two tones: 900 MHz and 901 MHz, +5dBm output per tone.

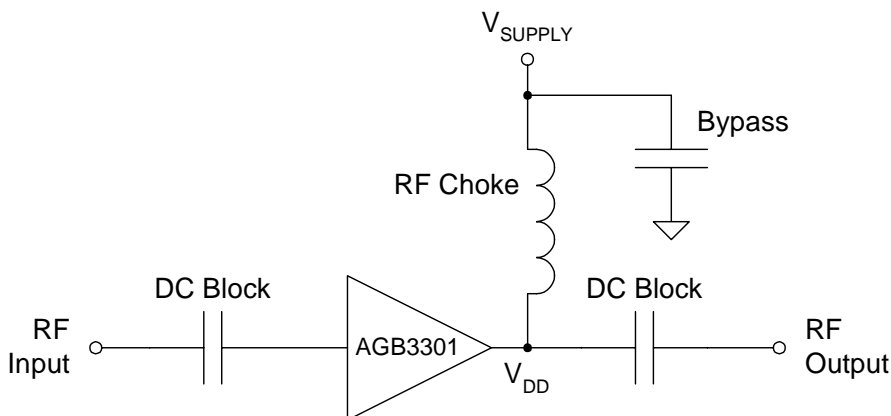
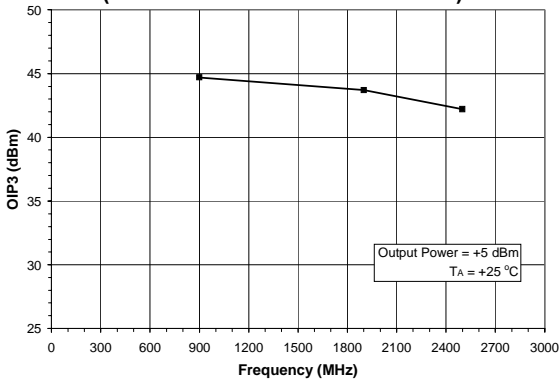


Figure 3: Unmatched 50 Ω Test Circuit

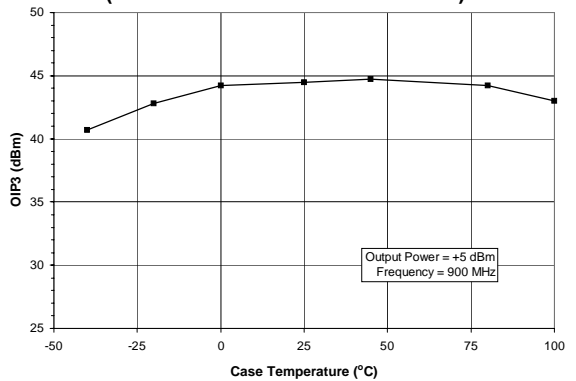
PERFORMANCE DATA

Figures 4 through 8 contain data for the device as tested in the unmatched 50Ω test circuit shown in Figure 3. Unless otherwise indicated, $V_{DD} = +9$ VDC.

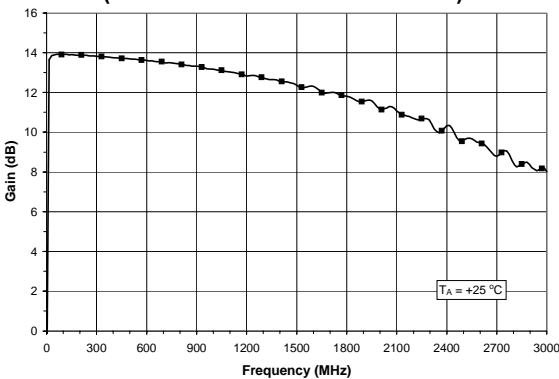
**Figure 4: OIP3 vs. Frequency
(in Unmatched 50Ω Test Circuit)**



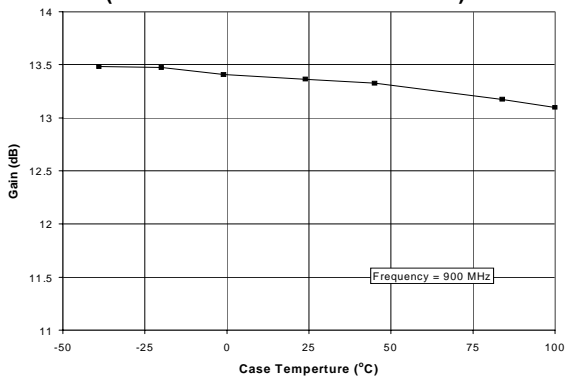
**Figure 5: OIP3 vs. Case Temperature
(in Unmatched 50Ω Test Circuit)**



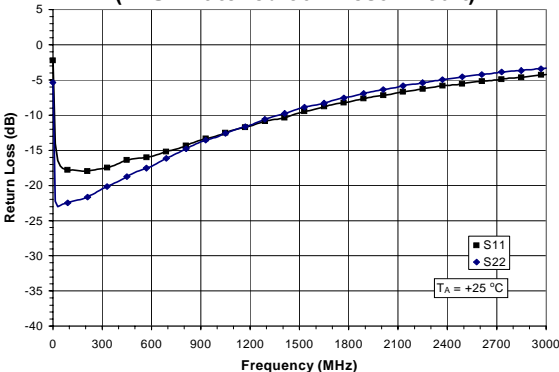
**Figure 6: Gain vs. Frequency
(in Unmatched 50Ω Test Circuit)**



**Figure 7: Gain vs. Case Temperature
(in Unmatched 50Ω Test Circuit)**



**Figure 8: Return Loss vs. Frequency
(in Unmatched 50Ω Test Circuit)**



APPLICATION INFORMATION

900 MHz Application: +9V Supply
(824 - 960 MHz)

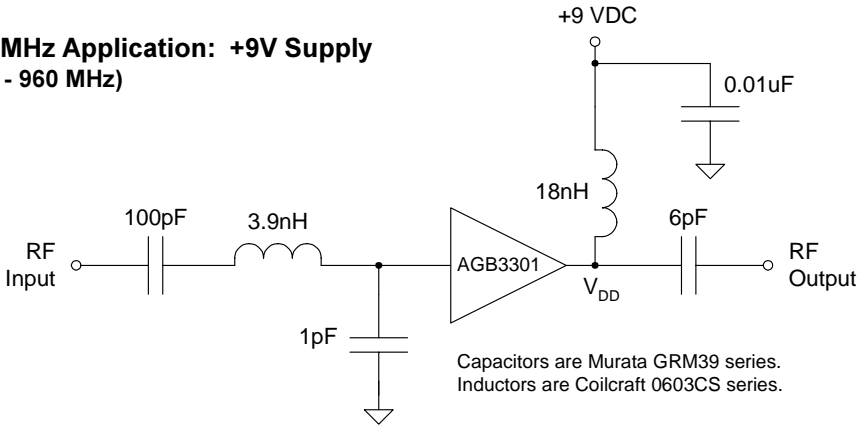


Figure 9: 900 MHz Application Circuit (50Ω Terminations)

Table 5: 900 MHz Application Performance
(V_{SUPPLY} = +9 VDC)

PARAMETER	TYP	UNIT
Gain: S ₂₁	13.8	dB
Input Return Loss: S ₁₁	-20	dB
Output Return Loss: S ₂₂	-18	dB
Output IP ₃ ⁽¹⁾	+47	dBm
Noise Figure	2.4	dB
Output 1dB Compression: P1dB	+24	dBm

Note:

(1) OIP3 is measured with two tones: 900 MHz and 901 MHz, +5dBm output per tone.

Figure 10: Output 3rd-Order Intercept vs. Power
(V_{supply} = +9 VDC, 900 MHz Application Circuit)

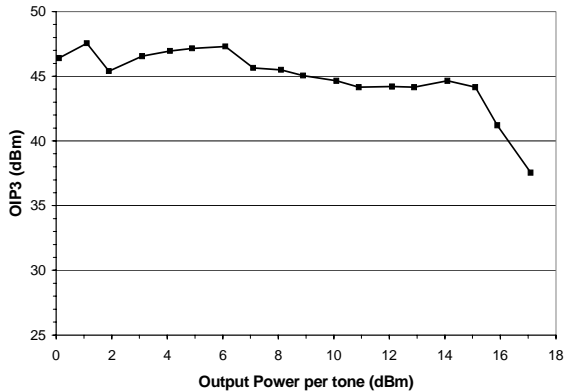


Figure 11: Gain vs. Frequency
(V_{SUPPLY} = +9 VDC, 900 MHz Application Circuit)

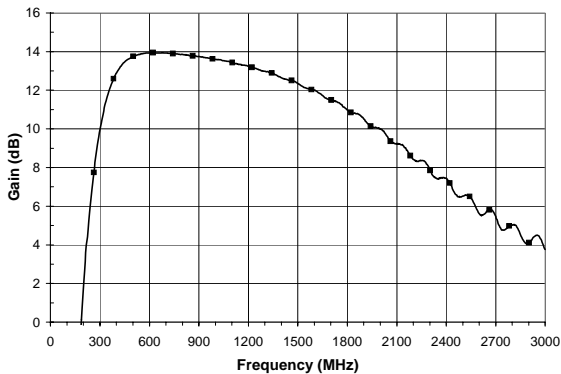
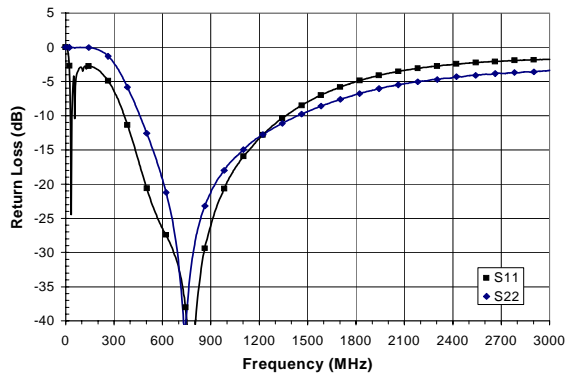
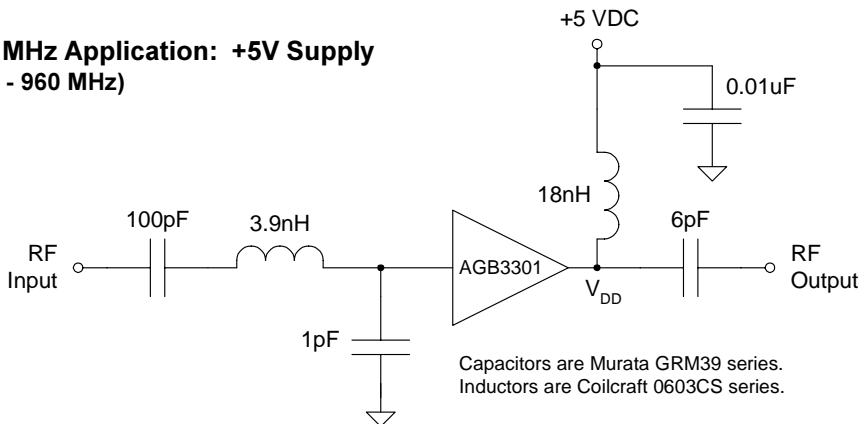


Figure 12: Return Loss vs. Frequency
(V_{SUPPLY} = +9 VDC, 900 MHz Application Circuit)



**900 MHz Application: +5V Supply
(824 - 960 MHz)**



Capacitors are Murata GRM39 series.
Inductors are Coilcraft 0603CS series.

Figure 13: 900 MHz Application Circuit (50Ω Terminations)

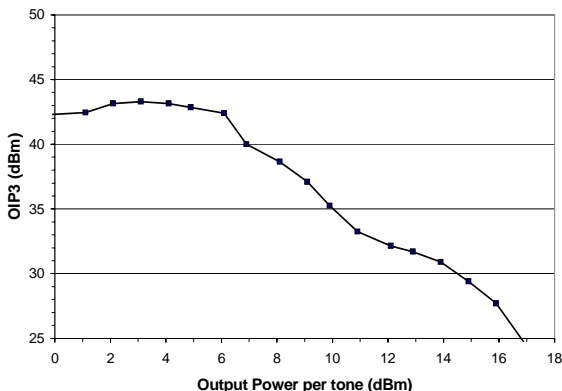
**Table 6: 900 MHz Application Performance
(V_{SUPPLY} = +5 VDC)**

PARAMETER	TYP	UNIT
Gain: S ₂₁	13.5	dB
Input Return Loss: S ₁₁	-20	dB
Output Return Loss: S ₂₂	-20	dB
Output IP ₃ ⁽¹⁾	+42.5	dBm
Noise Figure	2.5	dB
Output 1dB Compression: P1dB	+18.5	dBm

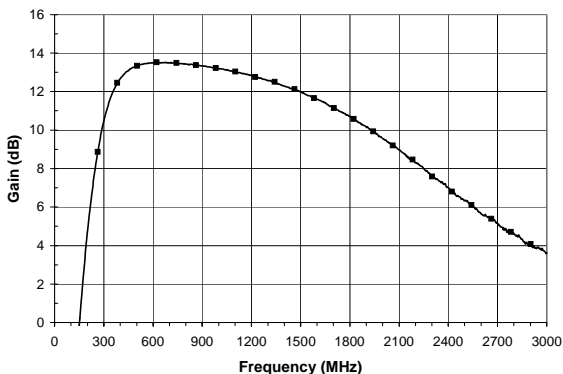
Note:

(1) OIP3 is measured with two tones: 900 MHz and 901 MHz, +5dBm output per tone.

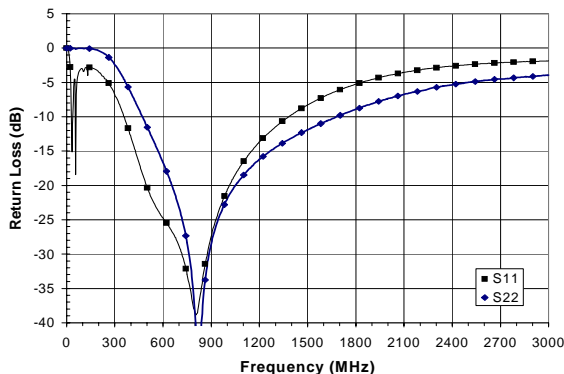
**Figure 14: Output 3rd-Order Intercept vs. Power
(V_{supply} = +5 VDC, 900 MHz Application Circuit)**



**Figure 15: Gain vs. Frequency
(V_{SUPPLY} = +5 VDC, 900 MHz Application Circuit)**



**Figure 16: Return Loss vs. Frequency
(V_{SUPPLY} = +5 VDC, 900 MHz Application Circuit)**



**1900 MHz Application: +9V Supply
(1710 - 1990 MHz)**

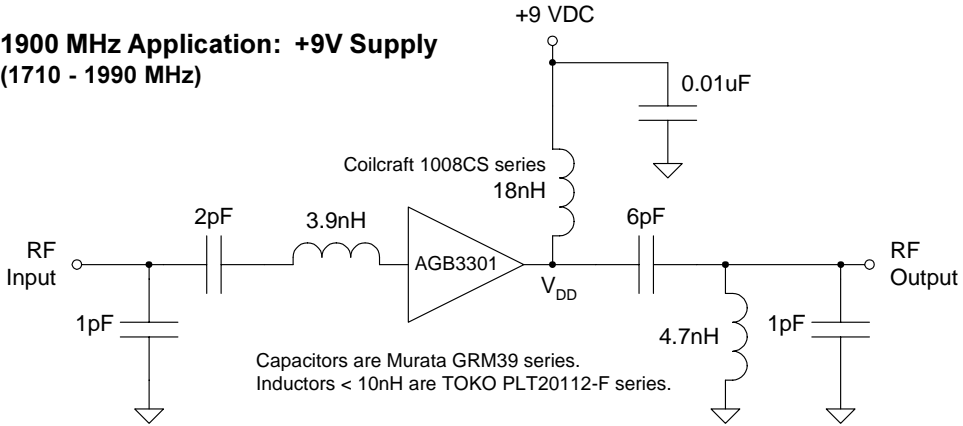


Figure 17: 1900 MHz Application Circuit (50Ω Terminations)

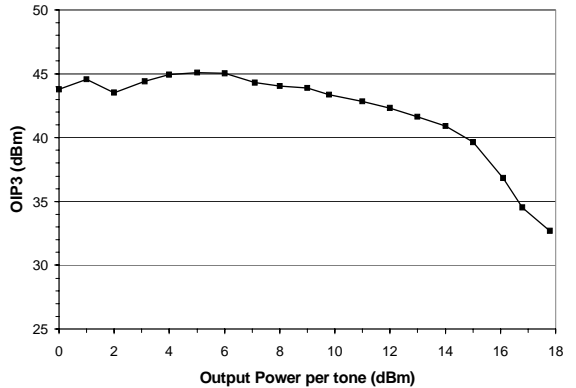
**Table 7: 1900 MHz Application Performance
(V_{SUPPLY} = +9 VDC)**

PARAMETER	TYP	UNIT
Gain: S ₂₁	12.1	dB
Input Return Loss: S ₁₁	-10	dB
Output Return Loss: S ₂₂	-12	dB
Output IP ₃ ⁽¹⁾	45	dBm
Noise Figure	2.9	dB
Output 1dB Compression: P1dB	+21	dBm

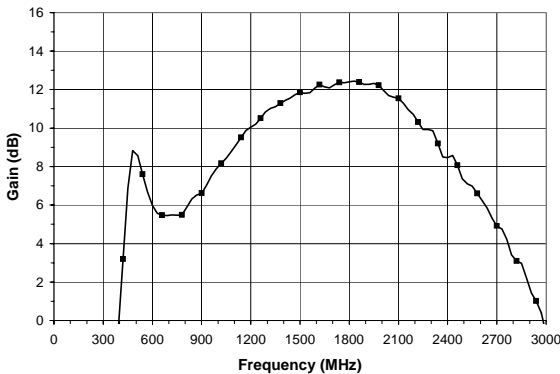
Note:

(1) OIP₃ is measured with two tones: 1900 MHz and 1901 MHz, +5dBm output per tone.

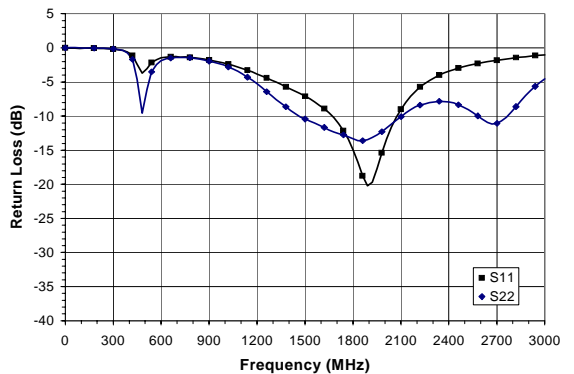
**Figure 18: Output 3rd-Order Intercept vs. Power
(V_{SUPPLY} = +9 VDC, 1900 MHz Application Circuit)**



**19: Gain vs. Frequency
(V_{SUPPLY} = +9 VDC, 1900 MHz Application Circuit)**



**Figure 20: Return Loss vs. Frequency
(V_{SUPPLY} = +9 VDC, 1900 MHz Application Circuit)**



**1900 MHz Application: +5V Supply
(1710 - 1990 MHz)**

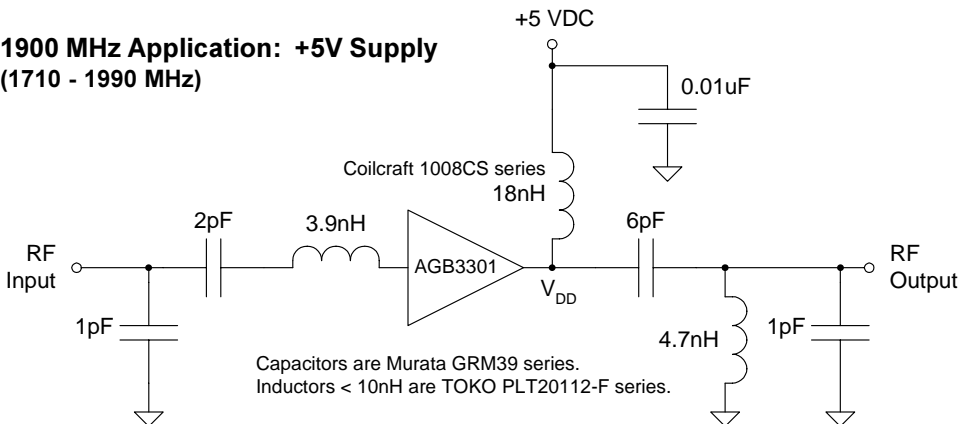


Figure 21: 1900 MHz Application Circuit (50Ω Terminations)

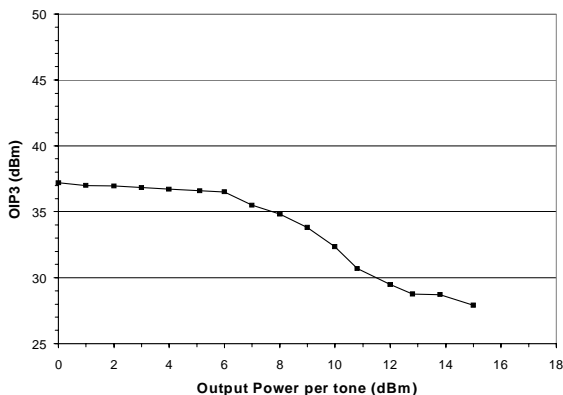
**Table 8: 1900 MHz Application Performance
(V_{SUPPLY} = +5 VDC)**

PARAMETER	TYP	UNIT
Gain: S ₂₁	12.0	dB
Input Return Loss: S ₁₁	-10	dB
Output Return Loss: S ₂₂	-15	dB
Output IP ₃ ⁽¹⁾	+37	dBm
Noise Figure	2.8	dB
Output 1dB Compression: P1dB	+18	dBm

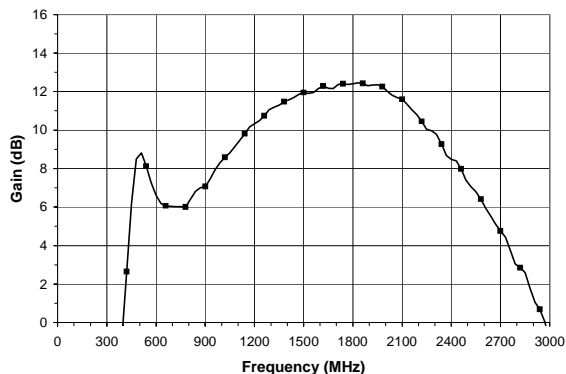
Note:

(1) OIP₃ is measured with two tones: 1900 MHz and 1901 MHz, +5dBm output per tone.

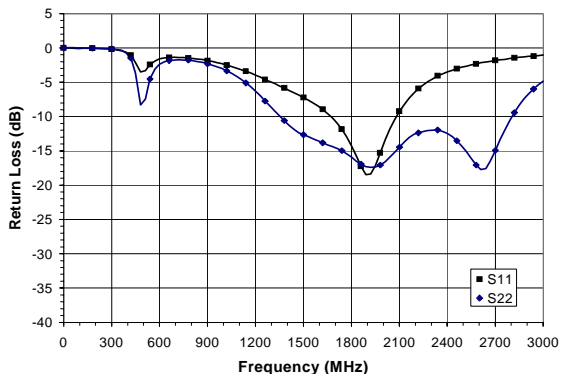
**Figure 22: Output 3rd-Order Intercept vs. Power
(V_{SUPPLY} = +5 VDC, 1900 MHz Application Circuit)**



**Figure 23: Gain vs. Frequency
(V_{SUPPLY} = +5 VDC, 1900 MHz Application Circuit)**



**Figure 24: Return Loss vs. Frequency
(V_{SUPPLY} = +5 VDC, 1900 MHz Application Circuit)**



**2500 MHz Application: +9V Supply
(2400 - 2690 MHz)**

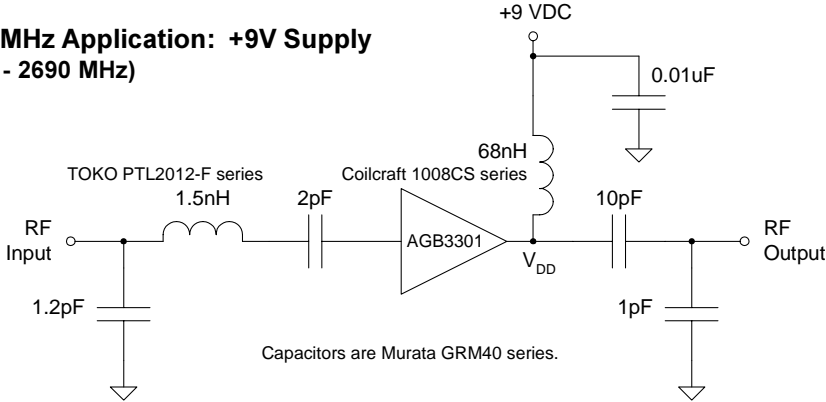


Figure 25: 2500 MHz Application Circuit (50Ω Terminations)

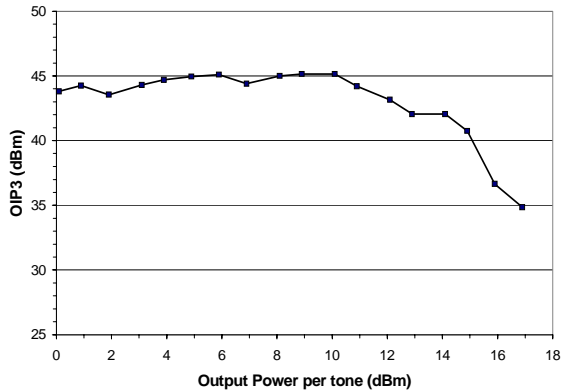
**Table 9: 2500 MHz Application Performance
(V_{SUPPLY} = +9 VDC)**

PARAMETER	TYP	UNIT
Gain: S21	11.5	dB
Input Return Loss: S11	-15	dB
Output Return Loss: S22	-11	dB
Output IP3 ⁽¹⁾	+45	dBm
Noise Figure	3.4	dB
Output 1dB Compression: P1dB	+19	dBm

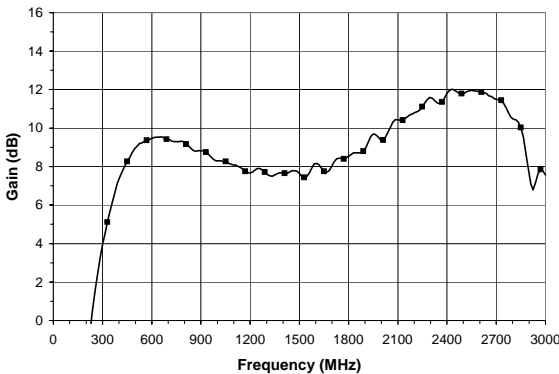
Note:

(1) OIP3 is measured with two tones: 2500 MHz and 2501 MHz, +5dBm output per tone.

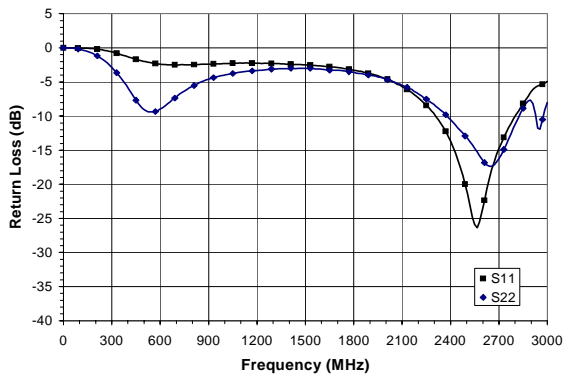
**Figure 26: Output 3rd-Order Intercept vs. Power
(V_{SUPPLY} = +9 VDC, 2500 MHz Application Circuit)**



**Figure 27: Gain vs. Frequency
(V_{SUPPLY} = +9 VDC, 2500 MHz Application Circuit)**



**Figure 28: Return Loss vs. Frequency
(V_{SUPPLY} = +9 VDC, 2500 MHz Application Circuit)**



**2500 MHz Application: +5V Supply
(2400 - 2690 MHz)**

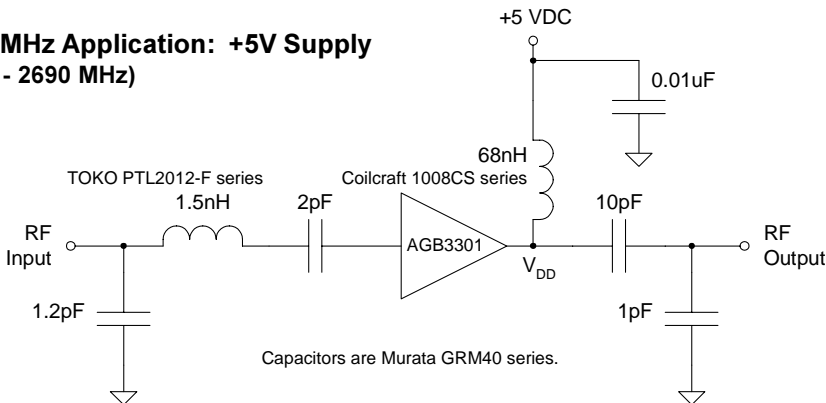


Figure 29: 2500 MHz Application Circuit (50Ω Terminations)

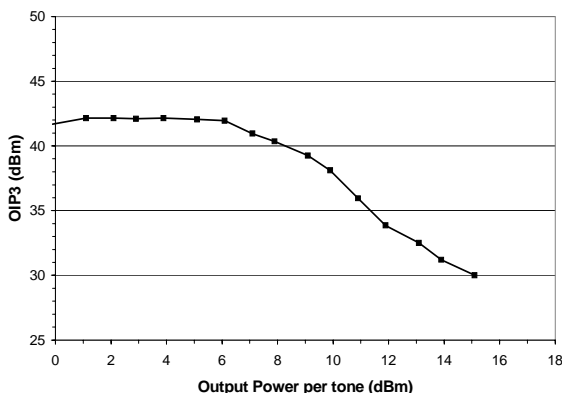
**Table 10: 2500 MHz Application Performance
(V_{SUPPLY} = +5 VDC)**

PARAMETER	TYP	UNIT
Gain: S21	11.5	dB
Input Return Loss: S11	-15	dB
Output Return Loss: S22	-15	dB
Output IP3 ⁽¹⁾	+42	dBm
Noise Figure	3.3	dB
Output 1dB Compression: P1dB	+17	dBm

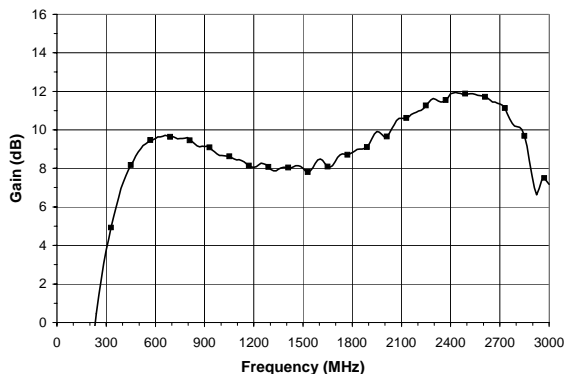
Note:

(1) OIP3 is measured with two tones: 2500 MHz and 2501 MHz, +5dBm output per tone.

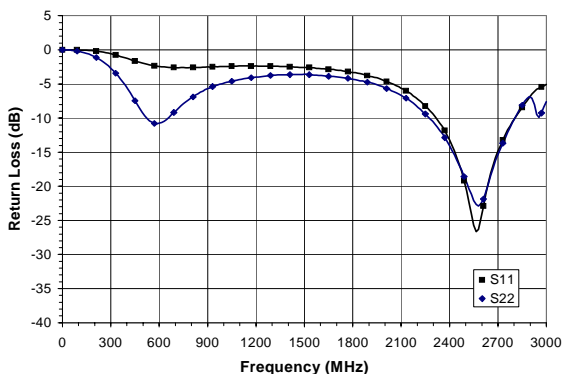
**Figure 30: Output 3rd-Order Intercept vs. Power
(V_{SUPPLY} = +5 VDC, 2500 MHz Application Circuit)**



**Figure 31: Gain vs. Frequency
(V_{SUPPLY} = +5 VDC, 2500 MHz Application Circuit)**



**Figure 32: Return Loss vs. Frequency
(V_{SUPPLY} = +5 VDC, 2500 MHz Application Circuit)**



Bias Circuit

A schematic of the basic, unmatched bias circuit for the AGB Series Gain Blocks is shown in Figure 33. The RF input and output terminations are 50Ω. Inductor L1 provides DC power from V_{SUPPLY} and serves as an RF choke to maintain desired AC performance. The input capacitor C1 and output capacitor C2 are RF blocks that isolate DC current from adjacent circuits. Capacitor C3 is used as an RF bypass that minimizes noise from the supply.

In some applications, a feedback resistor R1 may be added in series with L1, as shown in Figure 34, for improved stability or to serve as a voltage drop for operation from higher supply voltages.

Matching for RF Performance

The AGB3301 Gain Block amplifier can be used in many fixed wireless frequency bands, such as the 824-894 MHz U.S. cellular bands, the 1850-1990 MHz PCS band, the 880-960 MHz GSM band, the 2400-2500 MHz ISM band, and the 2500-2686 MHz MMDS band. Reactive matching circuits may be designed

for both the input and output, in order to optimize the RF performance for a particular application. For example, gain, linearity (OIP3) and return loss may be improved over a particular frequency band of interest.

Recommended matching circuits for various applications, as well as wideband S-parameters to use in the simulation of custom designs, are included in this data sheet. For a particular application not addressed in the data sheet, please consult with an ANADIGICS Sales Representative or Application Engineer.

Evaluation Boards

A versatile evaluation board that enables users to measure actual device performance has been developed for the AGB Series Gain Blocks. The generic layout allows the user to implement a wide variety of matching circuits, in order to assess performance for a particular application.

The evaluation board is 1.0" square, and is fabricated on 0.031" thick FR-4 material. Figures 35 and 36 show the via hole locations and the layout pattern on both sides of the evaluation board. The vias have a 0.010" diameter and are plated through.

To request an evaluation board, please contact an ANADIGICS Sales Representative or Application Engineer.

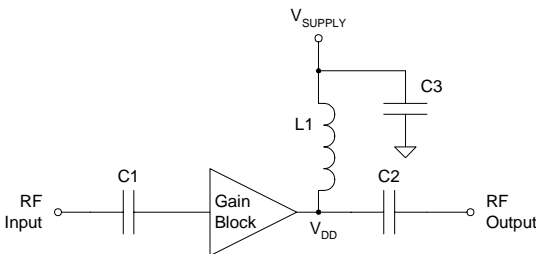


Figure 33: Unmatched Bias Circuit

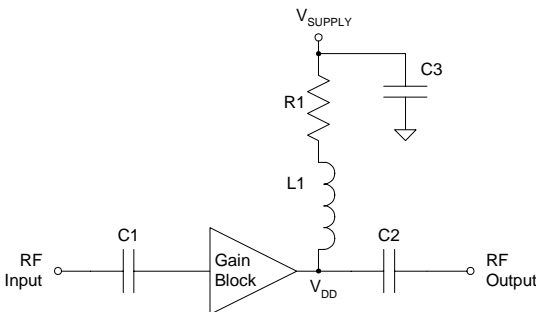


Figure 34: Bias Circuit with Optional Feedback / Voltage Drop Resistor

ESD Sensitivity

Electrostatic discharges can cause permanent damage to this device. Electrostatic discharges accumulate on test equipment and the human body, and can discharge without detection. Although the AGB3301 has some internal ESD protection, proper precautions and handling are strongly recommended. Refer to the ANADIGICS application note on ESD precautions.

S-Parameter Data

Table 11 depicts the raw Magnitude and Angle data for an unmatched AGB3301 over the 50 to 3000 MHz frequency range of operation. Data is shown in 100 MHz steps, with a characteristic impedance of 50 Ohms, V_{DD} = +9V, and at T_A = +25 °C.

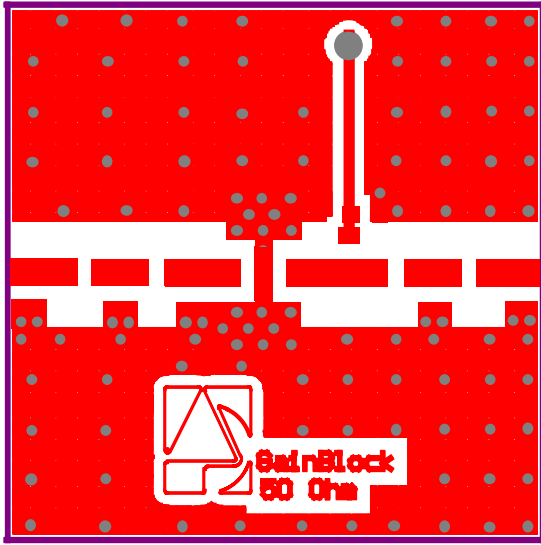


Figure 35: Evaluation Board - Front
(not to scale)

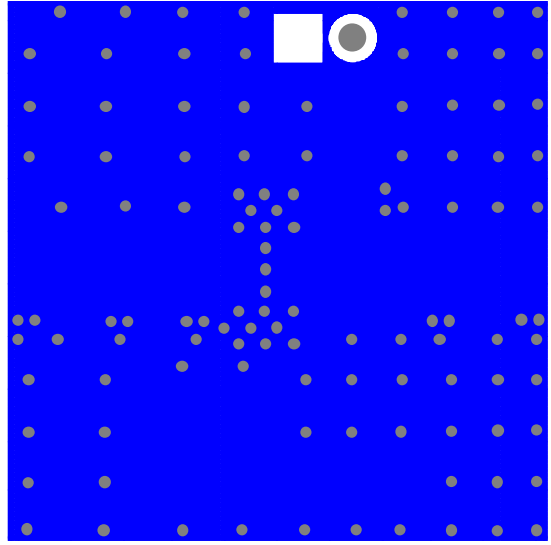
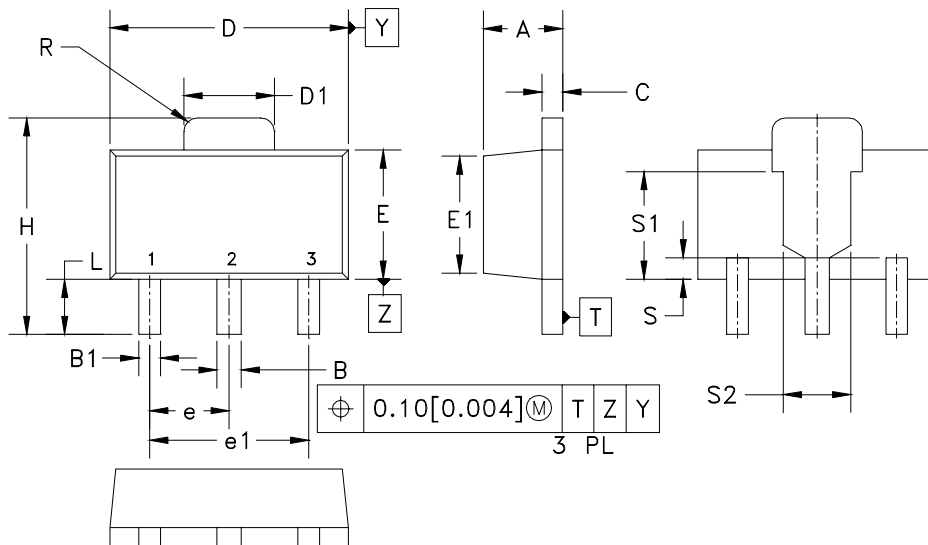


Figure 36: Evaluation Board - Back (X-ray)
(not to scale)

Table 11: AGB3301 S-Parameters in Unmatched 50 Ohm Test Fixture

(T_A = +25 °C, V_{DD} = +9 VDC)

FREQ (MHz)	S11 (dB MAG)	S11 (ANG)	S21 (dB MAG)	S21 (ANG)	S12 (dB MAG)	S12 (ANG)	S22 (dB MAG)	S22 (ANG)	K Factor
50	-17.240	-26.836	13.890	177.501	-17.739	-5.826	-22.828	-12.593	1.071
100	-17.818	-24.935	13.923	166.419	-17.740	-12.179	-22.325	-9.197	1.071
200	-17.974	-34.201	13.867	152.851	-17.761	-22.231	-21.803	-8.616	1.074
300	-17.597	-48.060	13.823	137.564	-17.829	-34.138	-20.469	-13.300	1.075
400	-16.818	-61.919	13.738	122.524	-17.880	-46.032	-19.340	-22.688	1.074
500	-16.203	-72.241	13.689	109.623	-17.981	-56.240	-18.198	-32.842	1.074
600	-15.872	-86.658	13.618	94.800	-18.068	-68.243	-17.305	-42.732	1.075
700	-15.078	-99.811	13.505	80.160	-18.252	-79.835	-15.953	-55.898	1.077
800	-14.502	-111.363	13.431	67.244	-18.380	-90.550	-14.951	-66.502	1.074
900	-13.558	-123.957	13.324	52.393	-18.552	-102.255	-13.797	-79.947	1.067
1000	-12.872	-136.927	13.155	37.799	-18.793	-114.050	-13.045	-94.039	1.073
1100	-12.164	-147.021	13.041	25.076	-18.992	-124.586	-12.202	-106.633	1.067
1200	-11.546	-159.463	12.828	10.497	-19.285	-136.011	-11.418	-120.336	1.074
1300	-10.784	-170.927	12.712	-4.332	-19.621	-148.937	-10.467	-134.472	1.063
1400	-10.459	178.426	12.567	-16.845	-19.828	-158.967	-9.884	-144.828	1.063
1500	-9.687	166.125	12.363	-31.761	-20.305	-171.081	-9.063	-158.869	1.060
1600	-9.113	154.614	12.297	-46.270	-20.620	175.644	-8.547	-172.334	1.045
1700	-8.542	144.746	11.990	-57.669	-20.966	166.403	-7.995	175.205	1.046
1800	-8.130	132.897	11.806	-72.889	-21.605	153.682	-7.426	162.038	1.066
1900	-7.614	121.269	11.563	-86.545	-22.073	141.197	-6.857	148.241	1.061
2000	-7.248	111.723	11.180	-100.060	-22.884	131.005	-6.447	136.894	1.131
2100	-6.829	99.551	11.067	-114.887	-23.345	116.441	-6.000	123.076	1.113
2200	-6.460	88.236	10.692	-128.636	-24.074	105.279	-5.583	110.380	1.164
2300	-6.101	78.176	10.611	-142.376	-24.869	93.413	-5.240	98.427	1.191
2400	-5.808	67.626	10.326	-153.887	-25.528	82.036	-4.884	85.867	1.228
2500	-5.462	56.234	9.626	-167.744	-27.027	68.885	-4.507	72.338	1.463
2600	-5.221	46.556	9.472	179.161	-27.961	56.842	-4.273	61.953	1.564
2700	-5.002	35.297	8.791	166.470	-29.593	45.457	-4.003	49.279	1.949
2800	-4.731	25.044	8.367	151.095	-31.373	26.771	-3.738	36.788	2.365
2900	-4.499	15.361	8.378	140.912	-32.317	14.056	-3.573	25.880	2.484
3000	-4.268	5.171	8.018	126.890	-34.888	-1.921	-3.327	13.676	3.298



S _M B _{OL}	MILLIMETERS		INCHES		NOTE
	MIN.	MAX.	MIN.	MAX.	
A	1.40	1.60	0.055	0.063	—
B	0.44	0.56	0.017	0.022	—
B1	0.36	0.48	0.014	0.019	3
C	0.35	0.44	0.014	0.017	—
D	4.40	4.60	0.173	0.181	—
D1	1.62	1.83	0.064	0.072	—
E	2.29	2.60	0.090	0.102	—
E1	2.13	2.29	0.084	0.090	4
e	1.50	BSC	0.059	BSC	—
e1	3.00	BSC	0.118	BSC	—
H	3.94	4.25	0.155	0.167	—
L	0.89	1.20	0.035	0.047	—
R	—	0.25	—	0.010	—
S	0.40	NOM.	0.016	NOM.	4
S1	2.03	NOM.	0.080	NOM.	4
S2	1.27	NOM.	0.050	NOM.	4

NOTES:

1. CONTROLLING DIMENSIONS: MILLIMETERS.
2. DIMENSIONS DO NOT INCLUDE END FLASH, MOLD FLASH OR MATERIAL PROTRUSIONS.
3. DIMENSION B1, 2 PLACES.
4. DIMENSIONS E1, S, S1 & S2 — REFERENCE ONLY.
5. REFERENCE JEDEC TO-243 (AA).

Figure 37: S24 Package Outline - SOT-89

TOP BRAND



NOTES:

1. ANADIGICS LOGO SIZE: X=0.040±0.010 Y=0.048±0.010
2. PART NUMBER: FOUR NUMERIC CHARACTERS
3. WAFER LOT NUMBER: LLLL=FOUR NUMERIC CHARACTERS
NN= TWO ALPHABETIC CHARACTERS
4. TYPE : ELITE
SIZE : 2-POINT
COLOR : LASER

Figure 38: Branding Specification

AGB3301

SUNSTAR微波光电 <http://www.rfoe.net/> TEL:0755-83396822 FAX:0755-83376182 E-MAIL:szss20@163.com

ORDERING INFORMATION

PART NUMBER	TEMPERATURE RANGE	PACKAGE DESCRIPTION	COMPONENT PACKAGING
AGB3301S24Q1	-40 to +100°C	SOT-89 Package	1,000 piece Tape and Reel



ANADIGICS, Inc.

141 Mount Bethel Road
Warren, New Jersey 07059, U.S.A.

Tel: +1 (908) 668-5000

Fax: +1 (908) 668-5132

URL: <http://www.anadigics.com>

E-mail: Mktg@anadigics.com

IMPORTANT NOTICE

ANADIGICS, Inc. reserves the right to make changes to its products or to discontinue any product at any time without notice. The product specifications contained in Advanced Product Information sheets and Preliminary Data Sheets are subject to change prior to a product's formal introduction. Information in Data Sheets have been carefully checked and are assumed to be reliable; however, ANADIGICS assumes no responsibilities for inaccuracies. ANADIGICS strongly urges customers to verify that the information they are using is current before placing orders.

WARNING

ANADIGICS products are not intended for use in life support appliances, devices or systems. Use of an ANADIGICS product in any such application without written consent is prohibited.

SUNSTAR射频通信 <http://www.rfoe.net/> TEL:0755-83397033 FAX:0755-83376102 E-MAIL:szss20@163.com

SUNSTAR 商斯达实业集团是集研发、生产、工程、销售、代理经销、技术咨询、信息服务等为一体的高科技企业，是专业高科技电子产品生产厂家，是具有 10 多年历史的专业电子元器件供应商，是中国最早和最大的仓储式连锁规模经营大型综合电子零部件代理分销商之一，是一家专业代理和分销世界各大品牌 IC 芯片和电子元器件的连锁经营综合性国际公司，专业经营进口、国产名厂名牌电子元件，型号、种类齐全。在香港、北京、深圳、上海、西安、成都等全国主要电子市场设有直属分公司和产品展示展销窗口门市部专卖店及代理分销商，已在全国范围内建成强大统一的供货和代理分销网络。我们专业代理经销、开发生产电子元器件、集成电路、传感器、微波光电元器件、工控机/DOC/DOM 电子盘、专用电路、单片机开发、MCU/DSP/ARM/FPGA 软件硬件、二极管、三极管、模块等，是您可靠的一站式现货配套供应商、方案提供商、部件功能模块开发配套商。商斯达实业公司拥有庞大的资料库，有数位毕业于著名高校——有中国电子工业摇篮之称的西安电子科技大学（西军电）并长期从事国防尖端科技研究的高级工程师为您精挑细选、量身订做各种高科技电子元器件，并解决各种技术问题。

微波光电部专业代理经销高频、微波、光纤、光电元器件、组件、部件、模块、整机；电磁兼容元器件、材料、设备；微波 CAD、EDA 软件、开发测试仿真工具；微波、光纤仪器仪表。欢迎国外高科技微波、光纤厂商将优秀产品介绍到中国、共同开拓市场。长期大量现货专业批发高频、微波、卫星、光纤、电视、CATV 器件：晶振、VCO、连接器、PIN 开关、变容二极管、开关二极管、低噪晶体管、功率电阻及电容、放大器、功率管、MMIC、混频器、耦合器、功分器、振荡器、合成器、衰减器、滤波器、隔离器、环行器、移相器、调制解调器；光电子器件和组件：红外发射管、红外接收管、光电开关、光敏管、发光二极管和发光二极管组件、半导体激光二极管和激光器组件、光电探测器和光接收组件、光发射接收模块、光纤激光器和光放大器、光调制器、光开关、DWDM 用光发射和接收器件、用户接入系统光收发器件与模块、光纤连接器、光纤跳线/尾纤、光衰减器、光纤适配器、光隔离器、光耦合器、光环行器、光复用器/转换器；无线收发芯片和模组、蓝牙芯片和模组。

更多产品请看本公司产品专用销售网站：

商斯达中国传感器科技信息网：<http://www.sensor-ic.com/>

商斯达工控安防网：<http://www.pc-ps.net/>

商斯达电子元器件网：<http://www.sunstare.com/>

商斯达微波光电产品网：[HTTP://www.rfoe.net/](http://www.rfoe.net/)

商斯达消费电子产品网：<http://www.icasic.com/>

商斯达实业科技产品网：<http://www.sunstars.cn/> 微波元器件销售热线：

地址：深圳市福田区福华路福庆街鸿图大厦 1602 室

电话：0755-82884100 83397033 83396822 83398585

传真：0755-83376182 (0) 13823648918 MSN: SUNS8888@hotmail.com

邮编：518033 E-mail:szss20@163.com QQ: 195847376

深圳赛格展销部：深圳华强北路赛格电子市场 2583 号 电话：0755-83665529 25059422

技术支持：0755-83394033 13501568376

欢迎索取免费详细资料、设计指南和光盘；产品凡多，未能尽录，欢迎来电查询。

北京分公司：北京海淀区知春路 132 号中发电子大厦 3097 号

TEL: 010-81159046 82615020 13501189838 FAX: 010-62543996

上海分公司：上海市北京东路 668 号上海赛格电子市场 D125 号

TEL: 021-28311762 56703037 13701955389 FAX: 021-56703037

西安分公司：西安高新开发区 20 所(中国电子科技集团导航技术研究所)

西安劳动南路 88 号电子商城二楼 D23 号

TEL: 029-81022619 13072977981 FAX:029-88789382