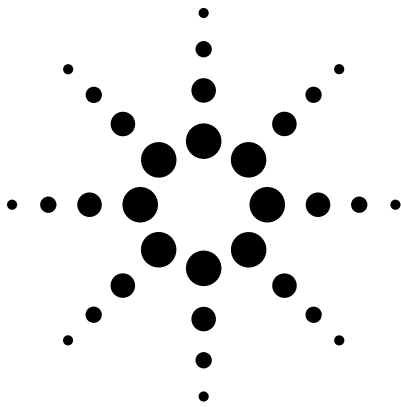


Agilent Option 500 Tape and Reel Packaging Option for Optocouplers Data Sheet



Description

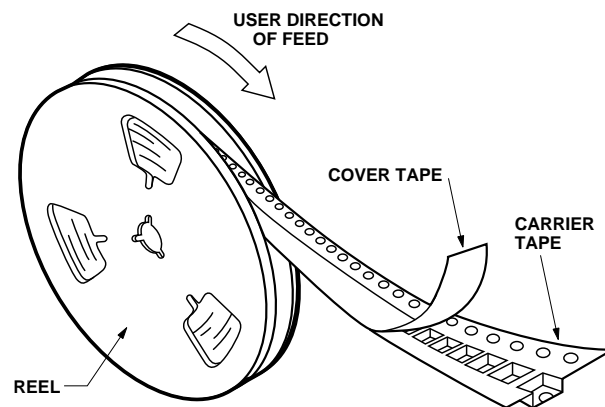
Option 500 is available on most optocouplers. It consists of devices with gull wing leads, shipped in a tape and reel.

The table below provides a brief overview of the tape and reel specifications for each package type available. Complete details are contained in the subsequent tables of this data sheet.

Ordering Information

To obtain this tape and reel option for optocouplers, order the standard part number with Option 500. Option 500 consists of the gull wing leads packaging. Hence, there is no need to order Gull Wing Option 300 along with Option 500.

Example: HCPL-2601#500



Package Type	Tape Width	Reel Diameter	Qty. Per Reel	Min. Order Qty.
S04	12 mm	33 cm	3000	3000
S05	12 mm	33 cm	1500	1500
S08	12 mm	33 cm	1500	1500
DIP4 (300 mil)*	16 mm	33 cm	1000	1000
DIP6 (300 mil)*	16 mm	33 cm	1000	1000
DIP8 (300 mil)*	16 mm	33 cm	1000	1000
DIP8 (400 mil)*	24 mm	33 cm	750	750
S016	24 mm	33 cm	850	850

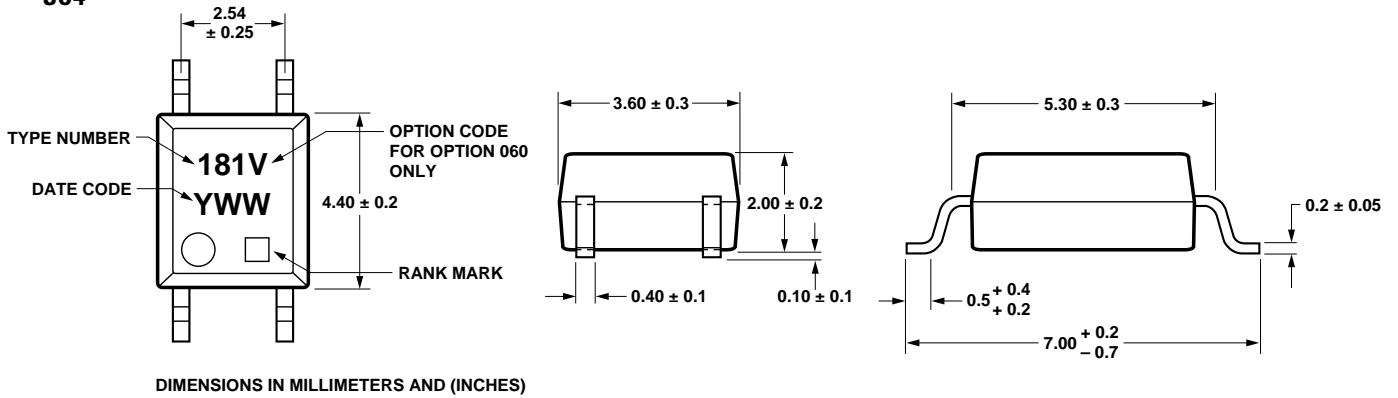
* In this data sheet, DIP packages are Gull Wing Surface Mount.



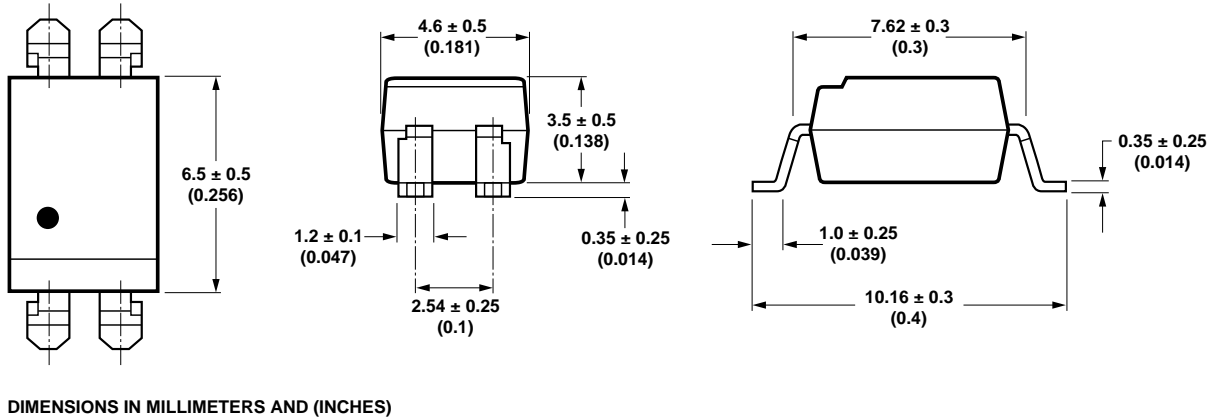
Agilent Technologies

Package Dimensions

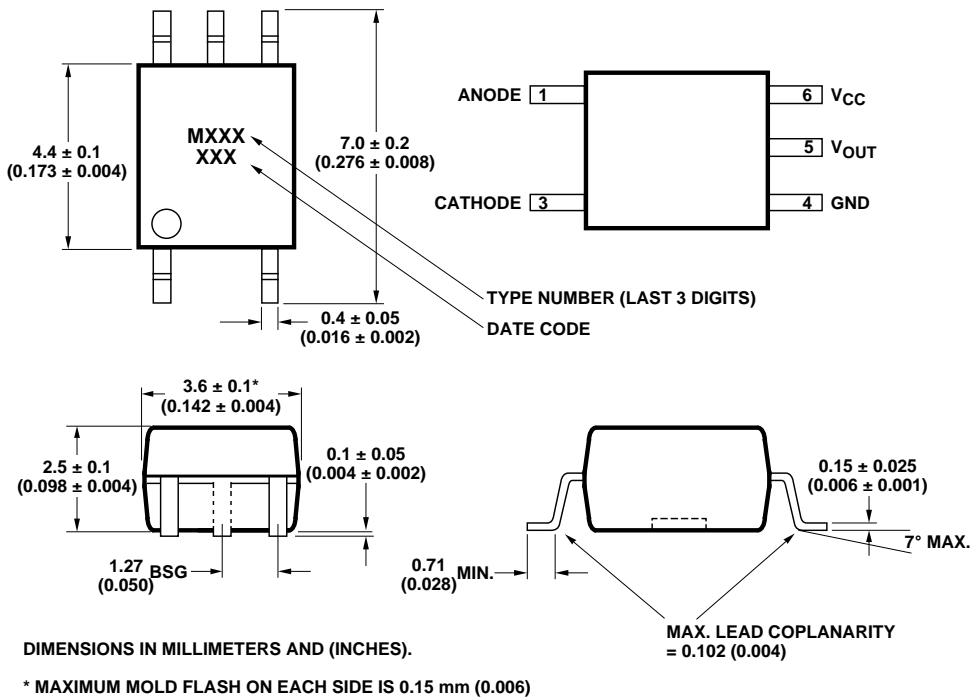
S04



DIP4 (300 mil)

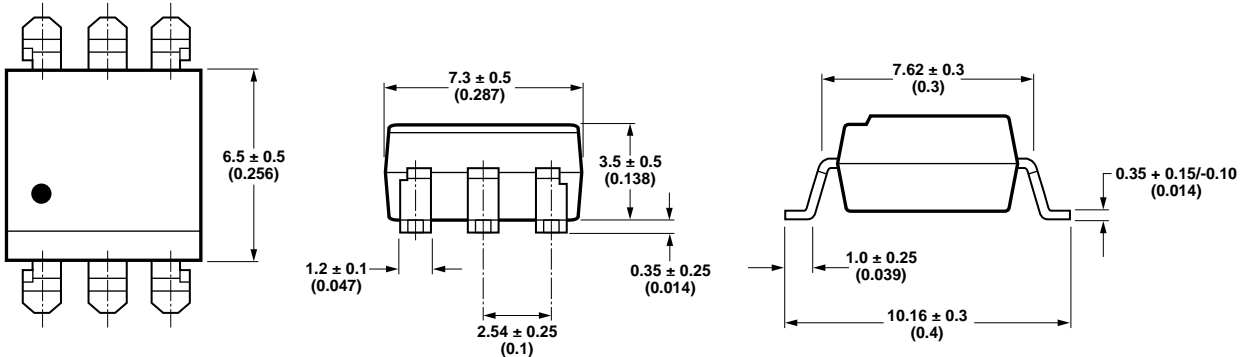


S05



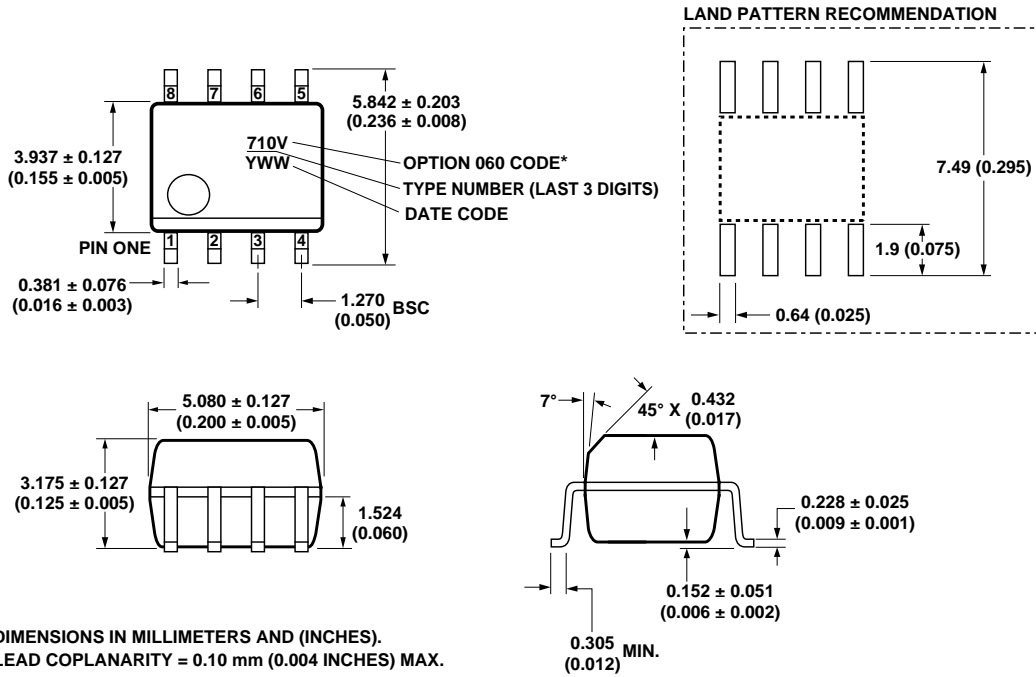
Package Dimensions, continued

DIP6 (300 mil)



DIMENSIONS IN MILLIMETERS AND (INCHES)

S08

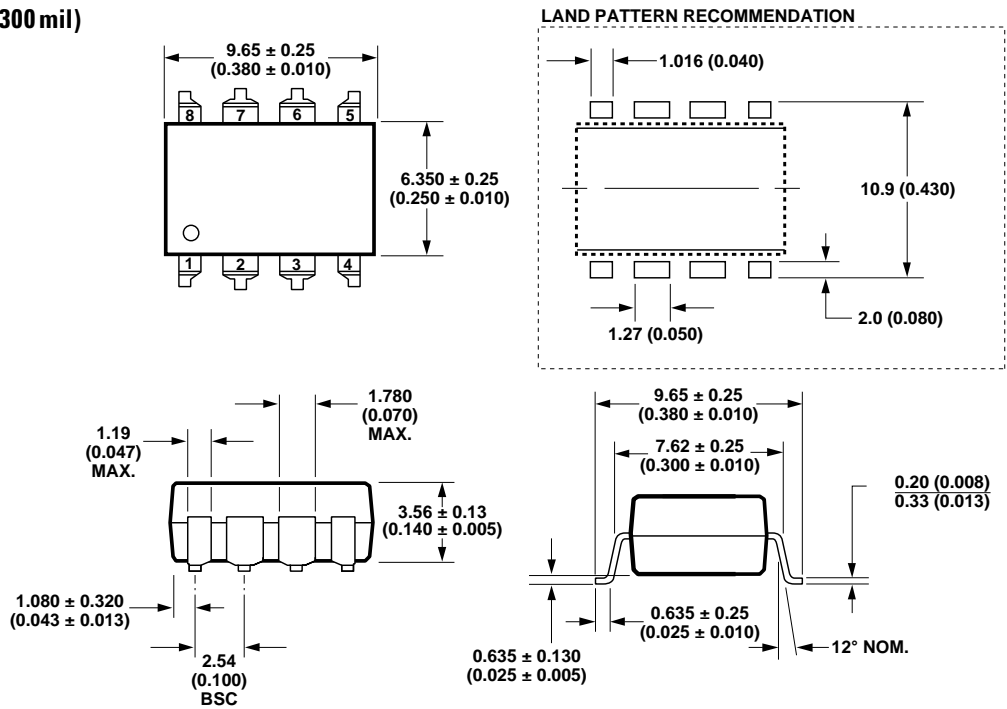


DIMENSIONS IN MILLIMETERS AND (INCHES).
LEAD COPLANARITY = 0.10 mm (0.004 INCHES) MAX.
*OPTION 500 NOT MARKED.

NOTE: FLOATING LEAD PROTRUSION IS 0.15 mm (6 mils) MAX.

Package Dimensions, continued

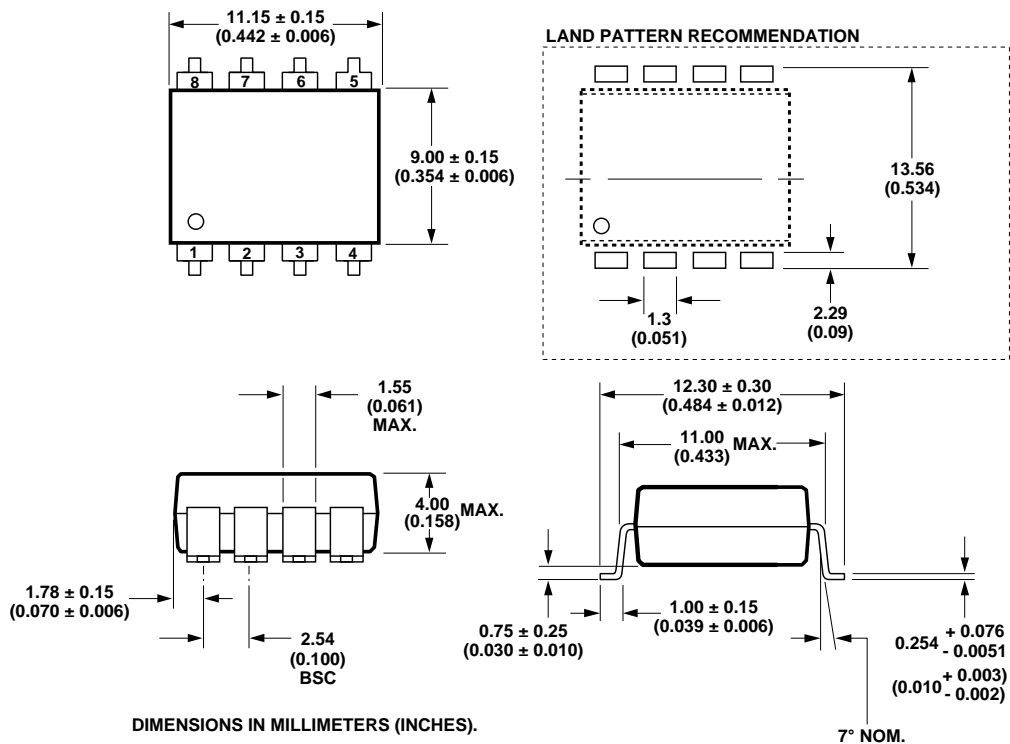
DIP8 (300 mil)



DIMENSIONS IN MILLIMETERS (INCHES).
LEAD COPLANARITY = 0.10 mm (0.004 INCHES).

NOTE: FLOATING LEAD PROTRUSION IS 0.15 mm (6 mils) MAX.

DIP8 (400 mil)

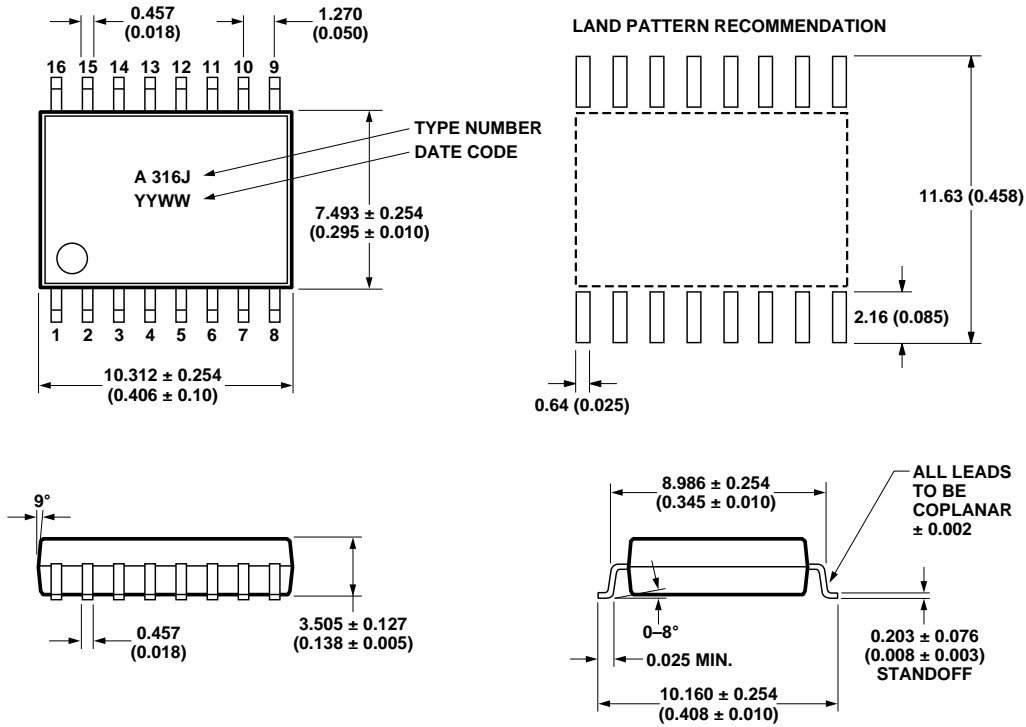


DIMENSIONS IN MILLIMETERS (INCHES).
LEAD COPLANARITY = 0.10 mm (0.004 INCHES).

NOTE: FLOATING LEAD PROTRUSION IS 0.15 mm (6 mils) MAX.

Package Dimensions, continued

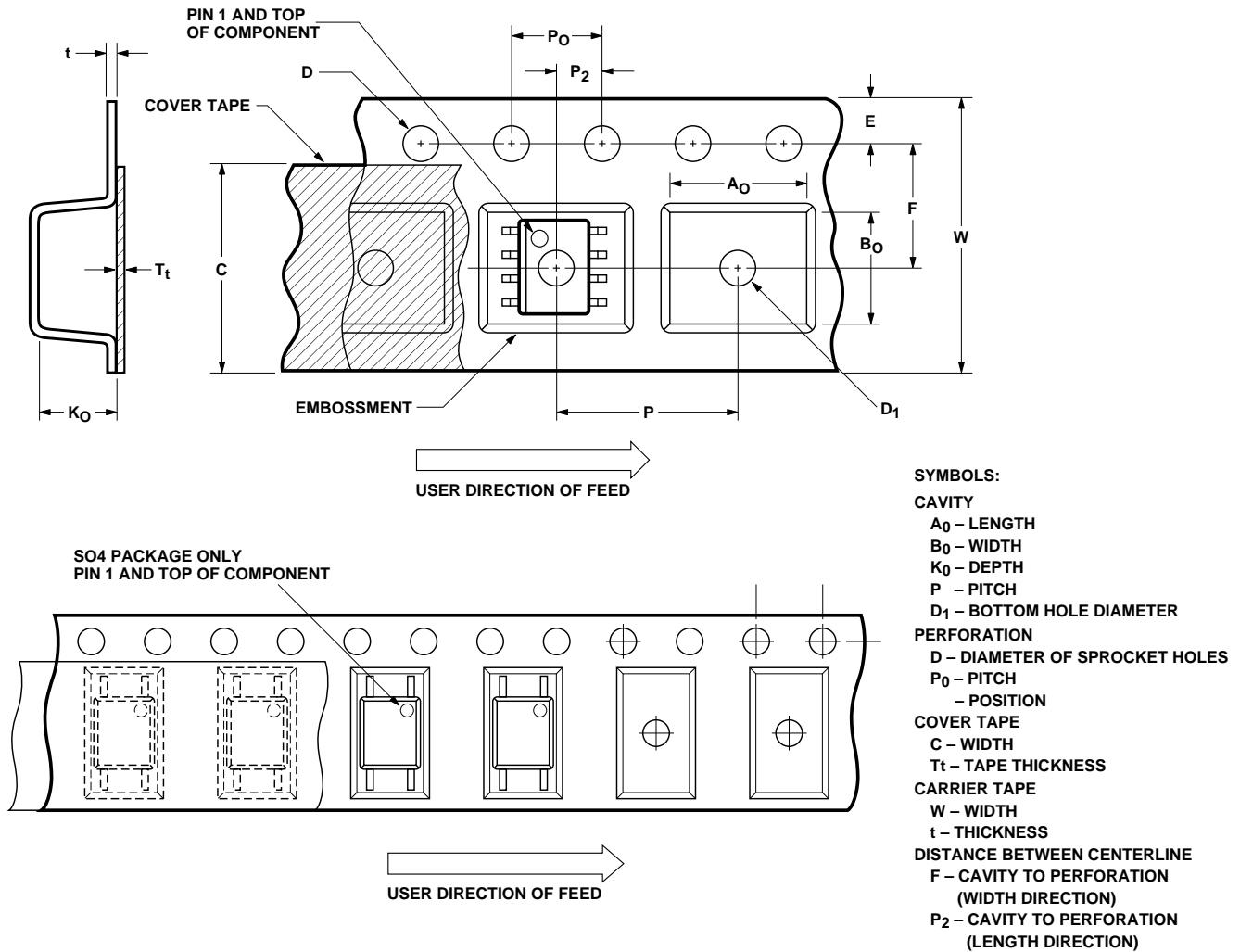
S016



DIMENSIONS IN MILLIMETERS AND (INCHES).

NOTE: FLOATING LEAD PROTRUSION IS 0.15 mm (6 mils) MAX.

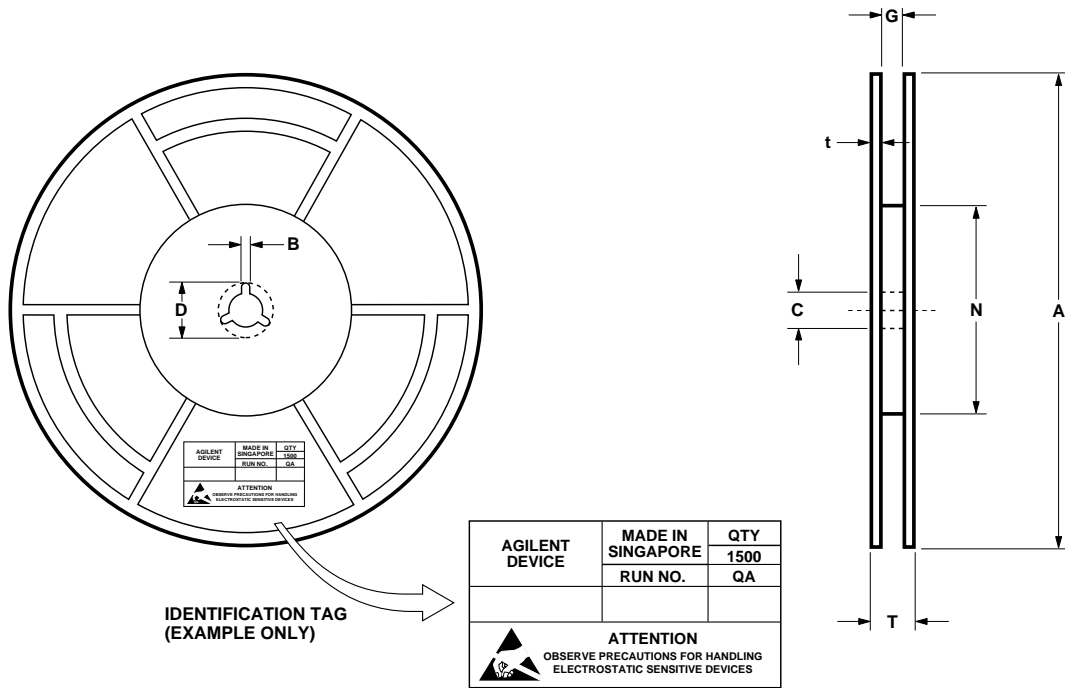
Tape Dimensions



Sym.	S04	DIP4 (300mil)	S05	DIP6 (300mil)	S08	DIP8 (300mil)	DIP8 (400mil)	S016
A ₀	3.90±0.10	10.46±0.10	3.78±0.10	10.46±0.10	6.37±0.10	10.36±0.10	12.90±0.10	10.67±0.10
B ₀	7.45±0.10	5.30±0.10	7.62±0.10	7.70±0.10	5.49±0.10	10.29±0.10	11.61±0.10	10.82±0.10
K ₀	2.45±0.10	4.25±0.05	3.15±0.10	4.25±0.05	3.94±0.10	4.90±0.10	5.61±0.10	4.45±0.10
P	8.00±0.10	12.00±0.10	8.00±0.10	12.00±0.10	8.00±0.10	12.00±0.10	16.00±0.10	16.00±0.10
D ₁	1.50±0.10	1.60	1.50 min	1.6	1.50 min.	1.50 min.	1.50 min.	1.50 min.
D	1.50±0.10	1.55±0.05	1.55±0.05	1.55±0.05	1.55±0.05	1.55±0.05	1.55±0.05	1.55±0.05
P ₀	4.00±0.10	4.00±0.10	4.00±0.10	4.00±0.10	4.00±0.10	4.00±0.10	4.00±0.10	4.00±0.10
E	1.75±0.10	1.75±0.10	1.75±0.10	1.75±0.10	1.75±0.10	1.75±0.10	1.75±0.10	1.75±0.10
W	12.00±0.30	16.00±0.30	12.00±0.30	16.00±0.30	12.00±0.30	16.00±0.30	24.00±0.30	24.00±0.30
t	0.30±0.02	0.40±0.05	0.305±0.05	0.40±0.05	0.318±0.05	0.343±0.05	0.355±0.05	0.355±0.05
F	5.50±0.05	7.50±0.10	5.50±0.05	7.50±0.10	5.50±0.05	7.50±0.10	11.50±0.10	11.50±0.10
P ₂	2.00±0.05	2.00±0.10	2.00±0.05	2.00±0.10	2.00±0.05	2.00±0.10	2.00±0.10	2.00±0.10
C	9.3±0.10	13.3±0.10	9.3±0.10	13.3±0.10	9.3±0.10	13.3±0.10	21.3±0.10	21.3±0.10
T _t	0.062±0.05	0.1±0.05	0.061±0.05	0.1±0.05	0.061±0.05	0.061±0.05	0.061±0.05	0.061±0.05

Unit: mm

Reel Dimensions



NOTES:
1. DRAWING IS NOT TO SCALE.
2. TYPICAL VALUE ONLY.

SYMBOLS:

FLANGE

A – DIAMETER
t – THICKNESS
G – INTERNAL WIDTH
T – EXTERNAL WIDTH

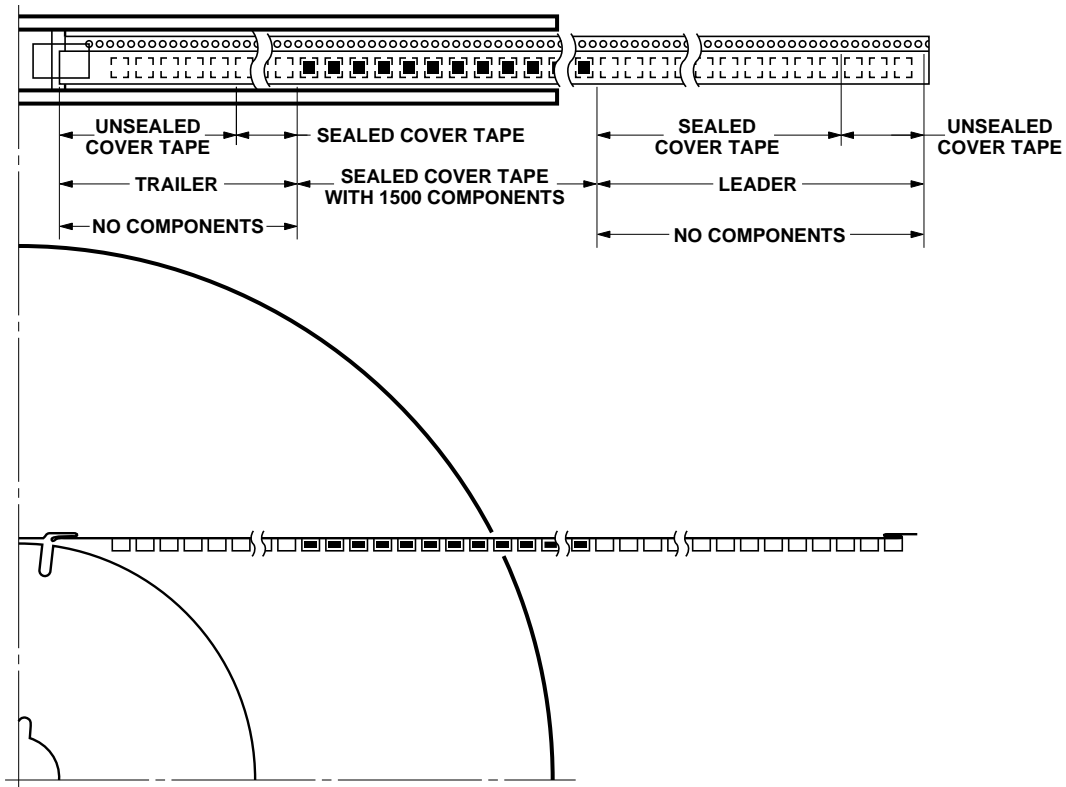
HUB

N – OUTER DIAMETER
C – SPINDLE HOLE DIAMETER
B – KEY SLIT WIDTH
D – KEY SLIT DIAMETER

Sym.	S04	DIP4 (300mil)	S05	DIP6 (300mil)	S08	DIP8 (300mil)	DIP8 (400mil)	S016
A	330.0±2.0	330.0±2.0	330.0+0.0/-0.2	330.0±2.0	330.0+0.0/-0.2	330.0+0.0/-0.2	330.0+0.0/-0.2	330.0+0.0/-0.2
t	2.3	2.3	2.0	2.3	2.0	2.0	2.0	2.0
G	12.5±0.5	16.5±0.5	12.4+2.0/-0.0	16.5±0.5	12.4+2.0/-0.0	16.4+2.0/-0.0	24.4+2.0/-0.0	24.4+2.0/-0.0
T	17.1±0.5	21.1±0.5	16.4+2.0/-0.0	21.1±0.5	16.4+2.0/-0.0	20.4+2.0/-0.0	28.4+2.0/-0.0	28.4+2.0/-0.0
N	100.0±1.0	100.0±1.0	178.0±0.1	100.0±1.0	178.0±0.1	100.0±0.1	100.0±0.1	100.0±0.5
C	13.0±0.5	13.0±0.5	13.0±0.2	13.0±0.5	13.0±0.2	13.0±0.2	13.0±0.2	13.0±0.2
B	2.0±0.5	2.0±0.5	1.9±0.4	2.0±0.5	1.9±0.4	1.9±0.4	1.9±0.4	1.9±0.4
D	21.2±0.8	21.15±0.8	21.0+1.0/-0.0	21.15±0.8	21.0+1.0/-0.0	21.0+1.0/-0.0	21.0+1.0/-0.0	21.0+1.0/-0.0

Unit: mm

Packing – Leader and Trailer



Item	S04	DIP4 (300mil)	S05	DIP6 (300mil)	S08	DIP8 (300mil)	DIP8 (400mil)	S016
Leader								
Unsealed Cover Tape	24 (3 pockets)	24 (2 pockets)	24 (3 pockets)	24 (2 pockets)	24 (3 pockets)	24 (2 pockets)	80 (5 pockets)	32 (2 pockets)
Sealed Cover Tape with Empty Cavities	504 (63 pockets)	480 (40 pockets)	480 (40 pockets)	480 (40 pockets)	504 (63 pockets)	480 (40 pockets)	480 (30 pockets)	320 (20 pockets)
Trailer								
Unsealed Cover Tape	40 (5 pockets)	24 (2 pockets)	40 (5 pockets)	24 (2 pockets)	40 (5 pockets)	24 (2 pockets)	80 (5 pockets)	32 (2 pockets)
Sealed Cover Tape with Empty Cavities	304 (38 pockets)	240 (20 pockets)	240 (20 pockets)	240 (20 pockets)	304 (38 pockets)	240 (20 pockets)	480 (30 pockets)	320 (20 pockets)

Unit: mm

Materials

Item	S04	DIP4 (300mil)	DIP6 (300mil)	S05	S08	DIP8 (300mil)	DIP8 (400mil)	S016
Carrier Tape								
Material	Anti-Static PC	Anti-Static PS		Carbon filled polycarbonate				
Color	Black							
Tensile Strength	640Kgf/cm ²	285Kgf/cm ²		734Kgf/cm ²				
Resistivity Rs	5×10 ⁵ Ω/cm ²	5×10 ⁴ Ω/cm ²		5×10 ⁵ Ω/cm ²				
Rv	NA			10 ¹¹ Ω/cm ³				≤10 ⁴ Ω/cm ³
Cover Tape								
Material	Anti-Static PS			Cohesive failure type consisting of olephine-type resin. Static dissipative agent treated.				Metallized polyester
Color	Transparent							
Tensile Strength	360Kgf/cm ²			500Kgf/cm ²				
Peel-off Strength	NA			40±30 g		55±35 g		
Resistivity Rs	10 ¹⁰ Ω/cm ²			10 ⁵ Ω/cm ²				
Reel Material	Anti-Static PS							

www.agilent.com/semiconductors

For product information and a complete list of distributors, please go to our web site.

For technical assistance call:

Americas/Canada: +1 (800) 235-0312 or (916) 788-6763

Europe: +49 (0) 6441 92460

China: 10800 650 0017

Hong Kong: (+65) 6756 2394

India, Australia, New Zealand: (+65) 6755 1939

Japan: (+81 3) 3335-8152 (Domestic/International), or 0120-61-1280 (Domestic Only)

Korea: (+65) 6755 1989

Singapore, Malaysia, Vietnam, Thailand, Philippines, Indonesia: (+65) 6755 2044

Taiwan: (+65) 6755 1843

Data subject to change.

Copyright © 2004 Agilent Technologies, Inc.

Obsoletes 5988-8473EN

April 26, 2004

5989-0304EN



Agilent Technologies

SUNSTAR 商斯达实业集团是集研发、生产、工程、销售、代理经销、技术咨询、信息服务等为一体的高科技企业，是专业高科技电子产品生产厂家，是具有 10 多年历史的专业电子元器件供应商，是中国最早和最大的仓储式连锁规模经营大型综合电子零部件代理分销商之一，是一家专业代理和分销世界各大品牌 IC 芯片和电子元器件的连锁经营综合性国际公司，专业经营进口、国产名厂名牌电子元件，型号、种类齐全。在香港、北京、深圳、上海、西安、成都等全国主要电子市场设有直属分公司和产品展示展销窗口门市部专卖店及代理分销商，已在全国范围内建成强大统一的供货和代理分销网络。我们专业代理经销、开发生产电子元器件、集成电路、传感器、微波光电元器件、工控机/DOC/DOM 电子盘、专用电路、单片机开发、MCU/DSP/ARM/FPGA 软件硬件、二极管、三极管、模块等，是您可靠的一站式现货配套供应商、方案提供商、部件功能模块开发配套商。商斯达实业公司拥有庞大的资料库，有数位毕业于著名高校——有中国电子工业摇篮之称的西安电子科技大学（西军电）并长期从事国防尖端科技研究的高级工程师为您精挑细选、量身订做各种高科技电子元器件，并解决各种技术问题。

微波光电部专业代理经销高频、微波、光纤、光电元器件、组件、部件、模块、整机；电磁兼容元器件、材料、设备；微波 CAD、EDA 软件、开发测试仿真工具；微波、光纤仪器仪表。欢迎国外高科技微波、光纤厂商将优秀产品介绍到中国、共同开拓市场。长期大量现货专业批发高频、微波、卫星、光纤、电视、CATV 器件：晶振、VCO、连接器、PIN 开关、变容二极管、开关二极管、低噪晶体管、功率电阻及电容、放大器、功率管、MMIC、混频器、耦合器、功分器、振荡器、合成器、衰减器、滤波器、隔离器、环行器、移相器、调制解调器；光电子器件和组件：红外发射管、红外接收管、光电开关、光敏管、发光二极管和发光二极管组件、半导体激光二极管和激光器组件、光电探测器和光接收组件、光发射接收模块、光纤激光器和光放大器、光调制器、光开关、DWDM 用光发射和接收器件、用户接入系统光收发器件与模块、光纤连接器、光纤跳线/尾纤、光衰减器、光纤适配器、光隔离器、光耦合器、光环行器、光复用器/转换器；无线收发芯片和模组、蓝牙芯片和模组。

更多产品请看本公司产品专用销售网站：

商斯达微波光电产品网：[HTTP://www.rfoe.net/](http://www.rfoe.net/)

商斯达中国传感器科技信息网：<http://www.sensor-ic.com/>

商斯达工控安防网：<http://www.pc-ps.net/>

商斯达电子元器件网：<http://www.sunstare.com/>

商斯达消费电子产品网：<http://www.icasic.com/>

商斯达实业科技产品网：<http://www.sunstars.cn/> 射频微波光电元器件销售热线：

地址：深圳市福田区福华路福庆街鸿图大厦 1602 室

电话：0755-83396822 83397033 83398585 82884100

传真：0755-83376182 (0) 13823648918 MSN: SUNS8888@hotmail.com

邮编：518033 E-mail:szss20@163.com QQ: 195847376

深圳赛格展销部：深圳华强北路赛格电子市场 2583 号 电话：0755-83665529 25059422

技术支持：0755-83394033 13501568376

欢迎索取免费详细资料、设计指南和光盘；产品凡多，未能尽录，欢迎来电查询。

北京分公司：北京海淀区知春路 132 号中发电子大厦 3097 号

TEL: 010-81159046 82615020 13501189838 FAX: 010-62543996

上海分公司：上海市北京东路 668 号上海赛格电子市场 D125 号

TEL: 021-28311762 56703037 13701955389 FAX: 021-56703037

西安分公司：西安高新开发区 20 所(中国电子科技集团导航技术研究所)

西安劳动南路 88 号电子商城二楼 D23 号

TEL: 029-81022619 13072977981 FAX:029-88789382