



**AMERICAN MICROWAVE  
CORPORATION**

**SUMMARY  
TEST DATA  
ON  
2.0 TO 18.0 GHz  
BALANCED ON/OFF  
ULTRA-HIGH SPEED  
VERY LOW VIDEO TRANSIENT  
LOW LOSS  
REFLECTIVE, SPST PIN DIODE  
SWITCH/MODULATORS**

**NEW DESIGNS  
BY  
A. K. GORWARA**

**REPORTS PREPARED  
BY  
P. WOOD**

**AUGUST 29, 1995**

7311 G GROVE ROAD, FREDERICK, MARYLAND 21701 • Tel. (301) 662-4700 • Fax (301) 662-4938



SUMMARY TEST DATA  
COMPARISON CHARTS  
PAGE : 2

# COMPARISON CHARTS OF SEVEN NEW REFLECTIVE SPST PIN DIODE SWITCH/MODULATORS

## CONTENTS

• INSERTION LOSS vs FREQUENCY	PAGE 3
• ISOLATION vs FREQUENCY	PAGE 4
• RETURN LOSS vs FREQUENCY	PAGE 5
• SWITCHING SPEED	PAGE 6
• VIDEO TRANSIENTS	PAGE 7
• MECHANICAL OUTLINES	PAGE 8

### NEW AMC MODEL NUMBERS:

- SWN-AGRA-1DR-ECL-GAK0-LVT  
REFLECTIVE, 2.0 TO 18.0 GHz, LOW LOSS, LOW VIDEO TRANSIENT(L/C)  
5ns-ULTRA HIGH SPEED, ECL LOGIC SPST PIN DIODE SWITCH
- SWN-AGRA-1DR-TTL-GAK1-LVT  
REFLECTIVE, 2.0 TO 18.0 GHz, LOW LOSS, LOW VIDEO TRANSIENT(L/C)  
7ns-ULTRA HIGH SPEED, TTL LOGIC SPST PIN DIODE SWITCH
- SWN-AGRA-1DR-PTTL-GAK2-LVT  
REFLECTIVE, 2.0 TO 18.0 GHz, SINGLE SUPPLY, LOW LOSS, LOW VIDEO  
TRANSIENT(L/C), 10ns-ULTRA HIGH SPEED, TTL LOGIC, SPST PIN DIODE  
SWITCH
- SWN-AGRA-1DR-ECL-GAK3-LVT  
REFLECTIVE, 2.0 TO 18.0 GHz, LOW LOSS, LOW VIDEO TRANSIENT(L/C)  
5ns-ULTRA HIGH SPEED, ECL LOGIC SPST PIN DIODE SWITCH
- SWN-AGRA-1DR-ECL-GAK3P-LVT  
REFLECTIVE, 2.0 TO 18.0 GHz, LOW LOSS, LOW VIDEO TRANSIENT(L/C)  
9ns-ULTRA HIGH SPEED, ECL LOGIC SPST PIN DIODE SWITCH
- SWN-AGRA-1DR-TTL-GAX-LVT  
REFLECTIVE, 2.0 TO 18.0 GHz, LOW LOSS, 10ns-ULTRA HIGH SPEED, LOW  
VIDEO TRANSIENTS(L/C) SPST PIN DIODE SWITCH
- SWN-AGRA-1DR-PTTL-GAX-LVT  
REFLECTIVE, 2.0 TO 18.0 GHz, SINGLE SUPPLY, LOW LOSS, LOW VIDEO  
TRANSIENTS(L/C), 10ns-ULTRA HIGH SPEED SPST PIN DIODE SWITCH

NOTE: Contact Factory for Available Options.

NEW DESIGNS BY A. K. GORWARA  
AUGUST 29, 1995



SUMMARY TEST DATA  
COMPARISON CHARTS  
PAGE : 3

INSERTION LOSS vs FREQUENCY

INSERTION LOSS vs FREQUENCY  
A COMPARISON OF SEVEN NEW SPST SWITCHES

FREQUENCY IN GHZ	0.5	0.8	1	2	4	6	8	10	12	14	16	18
SWN-AGRA-1DR-ECL-GAK0				0.56	0.51	0.53	0.56	0.88	0.69	0.99	1.03	1.26
SWN-AGRA-1DR-TTL-GAK1				0.62	0.56	0.61	0.91	0.67	0.92	1.09	1.23	1.43
SWN-AGRA-1DR-PTTL-GAK2				0.54	0.45	0.43	0.68	0.83	0.81	0.97	1.15	1.5
SWN-AGRA-1DR-ECL-GAK3				0.5	0.64	0.55	0.66	0.76	1.17	1.33	1.26	1.56
SWN-AGRA-1DR-ECL-GAK3P				0.53	0.54	0.52	0.92	0.93	0.9	1.08	1.38	1.47
SWN-AGRA-1DR-TTL-GAX				0.84	0.6	0.66	1.04	1.09	1.15	1.04	1.26	1.36
SWN-AGRA-1DR-PTTL-GAX				0.57	0.61	0.68	1.07	1.13	1.27	1.31	1.44	1.79

\*\* NEW DESIGNS BY A. K. GORWARA\*\*

FREQUENCY IS SHOWN-GHZ  
INSERTION LOSS MEASURED IN dB



SUMMARY TEST DATA  
COMPARISON CHARTS  
PAGE : 4

ISOLATION vs FREQUENCY

ISOLATION vs FREQUENCY  
A COMPARISON OF SEVEN NEW SPST SWITCHES

FREQUENCY IN GHZ	0.5	0.8	1	2	4	6	8	10	12	14	16	18
SWN-AGRA-1DR-ECL-GAK0	50	54	63	88	95	94	92	92	90	86	84	82
SWN-AGRA-1DR-TTL-GAK1	40	38	44	72	92	96	82	90	90	86	84	82
SWN-AGRA-1DR-PTTL-GAK2	50	52	60	86	94	94	92	90	90	88	84	82
SWN-AGRA-1DR-ECL-GAK3	50	51	58	86	94	94	92	90	90	86	80	82
SWN-AGRA-1DR-ECL-GAK3P	50	52	62	88	94	94	94	92	88	86	82	80
SWN-AGRA-1DR-TTL-GAX			64	94	90	90	88	78	80	78	72	64
SWN-AGRA-1DR-PTTL-GAX			76	92	88	90	86	76	72	78	72	64

\*\* NEW DESIGNS BY A. K. GORWARA \*\*

FREQUENCY IS SHOWN-GHZ  
ISOLATION AS MEASURED IN dB



SUMMARY TEST DATA  
COMPARISON CHARTS  
PAGE : 5

RETURN LOSS vs FREQUENCY

RETURN LOSS vs FREQUENCY  
A COMPARISON OF SEVEN NEW SPST SWITCHES

FREQUENCY IN GHZ	0.5	0.8	1	2	4	6	8	10	12	14	16	18
SWN-AGRA-1DR-ECL-GAK0				15.71	18.05	18.5	23.18	13.21	29.76	13.97	31.29	30.95
SWN-AGRA-1DR-TTL-GAK1				14.93	19.34	24.02	17.55	22.31	12.7	11.9	16.79	17.6
SWN-AGRA-1DR-PTTL-GAK2				15.84	19.43	28.69	16.86	14.89	17.81	18.98	14.96	23.79
SWN-AGRA-1DR-ECL-GAK3				20.41	15.46	20.47	22.37	23.57	10.77	11.78	18.6	20.73
SWN-AGRA-1DR-ECL-GAK3P				18.75	16.89	24.44	12.32	13.84	17.38	15.56	14.6	29.52
SWN-AGRA-1DR-TTL-GAX				14.53	19.06	19.48	12.59	11.98	11.8	16.65	16.54	36.86
SWN-AGRA-1DR-PTTL-GAX				15.09	17.51	19.83	12.8	12.85	12.24	14.14	18.22	20.24

\*\*NEW DESIGNS BY A. K. GORWARA\*\*

FREQUENCY IS SHOWN-GHZ  
RETURN LOSS MEASURED IN dB



SUMMARY TEST DATA  
COMPARISON CHARTS  
PAGE : 6

### SWITCHING SPEED

## SWITCHING SPEED A COMPARISON OF SEVEN NEW SPST SWITCHES

SWITCHING SPEED IN ns	RISE	FALL	ON	OFF
SWN-AGRA-1DR-ECL-GAK0	1	1	5	5
SWN-AGRA-1DR-TTL-GAK1	1	1	7	7
SWN-AGRA-1DR-PTTL-GAK2	1	1	10	5
SWN-AGRA-1DR-ECL-GAK3	1	1	5	5
SWN-AGRA-1DR-ECL-GAK3P	1	1	9	3
SWN-AGRA-1DR-TTL-GAX	2	2	10	10
SWN-AGRA-1DR-PTTL-GAX	2	2	15	8

\*\* NEW DESIGNS BY A. K. GORWARA \*\*

SWITCHING SPEED AS MEASURED IN NANoseconds



SUMMARY TEST DATA  
 COMPARISON CHARTS  
 PAGE : 7

VIDEO TRANSIENTS

VIDEO TRANSIENTS  
 A COMPARISON OF SEVEN NEW SPST SWITCHES

BANDWIDTH IN MHZ	20	100	300
SWN-AGRA-1DR-ECL-GAK0	15		350
SWN-AGRA-1DR-TTL-GAK1	15		235
SWN-AGRA-1DR-PTTL-GAK2	5		175
SWN-AGRA-1DR-ECL-GAK3	10		175
SWN-AGRA-1DR-ECL-GAK3P	5		130
SWN-AGRA-1DR-TTL-GAX	20	275	
SWN-AGRA-1DR-PTTL-GAX	10	135	

\*\* NEW DESIGNS BY A. K. GORWARA \*\*

VIDEO TRANSIENTS MEASURED IN MILLIVOLTS PEAK-PEAK



SUMMARY TEST DATA  
COMPARISON CHARTS  
PAGE : 8

MECHANICAL OUTLINES

DC Power Supply:  
 $\pm 5\text{vdc} @ \pm 60\text{mA Max.}$

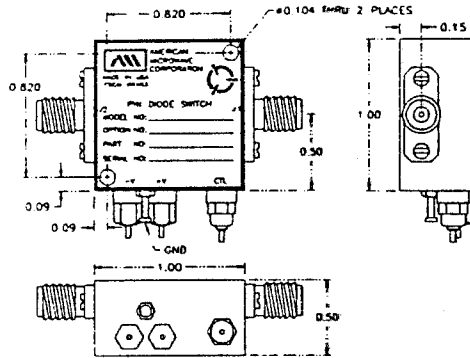


Figure 1. SWN-AGRA-1DR-TTL-GAK1-LVT  
SWN-AGRA-1DR-TTL-GAX-LVT

DC Power Supply:  
**SINGLE SUPPLY**  
 $+5\text{vdc} @ +60\text{mA Max.}$

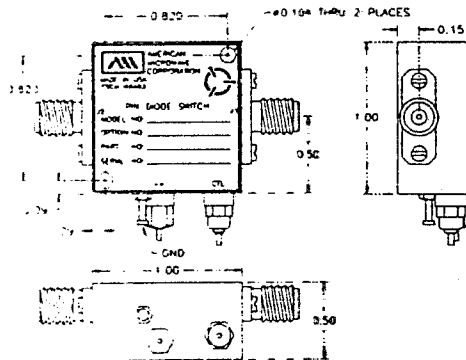


Figure 2. SWN-AGRA-1DR-PTTL-GAK2-LVT  
SWN-AGRA-1DR-PTTL-GAX-LVT

DC Power Supply:  
 $\pm 5\text{vdc} @ \pm 80\text{mA Max.}$

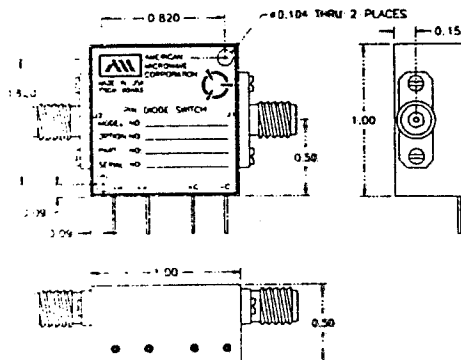


Figure 3. SWN-AGRA-1DR-ECL-GAK0-LVT  
SWN-AGRA-1DR-ECL-GAK3-LVT  
SWN-AGRA-1DR-ECL-GAK3P-LVT



SUNSTAR 商斯达实业集团是集研发、生产、工程、销售、代理经销、技术咨询、信息服务等为一体的高科技企业，是专业高科技电子产品生产厂家，是具有 10 多年历史的专业电子元器件供应商，是中国最早和最大的仓储式连锁规模经营大型综合电子零部件代理分销商之一，是一家专业代理和分销世界各大品牌 IC 芯片和电子元器件的连锁经营综合性国际公司，专业经营进口、国产名厂名牌电子元件，型号、种类齐全。在香港、北京、深圳、上海、西安、成都等全国主要电子市场设有直属分公司和产品展示展销窗口门市部专卖店及代理分销商，已在全国范围内建成强大统一的供货和代理分销网络。我们专业代理经销、开发生产电子元器件、集成电路、传感器、微波光电元器件、工控机/DOC/DOM 电子盘、专用电路、单片机开发、MCU/DSP/ARM/FPGA 软件硬件、二极管、三极管、模块等，是您可靠的一站式现货配套供应商、方案提供商、部件功能模块开发配套商。商斯达实业公司拥有庞大的资料库，有数位毕业于著名高校——有中国电子工业摇篮之称的西安电子科技大学（西军电）并长期从事国防尖端科技研究的高级工程师为您精挑细选、量身订做各种高科技电子元器件，并解决各种技术问题。

微波光电部专业代理经销高频、微波、光纤、光电元器件、组件、部件、模块、整机；电磁兼容元器件、材料、设备；微波 CAD、EDA 软件、开发测试仿真工具；微波、光纤仪器仪表。欢迎国外高科技微波、光纤厂商将优秀产品介绍到中国、共同开拓市场。长期大量现货专业批发高频、微波、卫星、光纤、电视、CATV 器件：晶振、VCO、连接器、PIN 开关、变容二极管、开关二极管、低噪晶体管、功率电阻及电容、放大器、功率管、MMIC、混频器、耦合器、功分器、振荡器、合成器、衰减器、滤波器、隔离器、环行器、移相器、调制解调器；光电子器件和组件：红外发射管、红外接收管、光电开关、光敏管、发光二极管和发光二极管组件、半导体激光二极管和激光器组件、光电探测器和光接收组件、光发射接收模块、光纤激光器和光放大器、光调制器、光开关、DWDM 用光发射和接收器件、用户接入系统光收发器件与模块、光纤连接器、光纤跳线/尾纤、光衰减器、光纤适配器、光隔离器、光耦合器、光环行器、光复用器/转换器；无线收发芯片和模组、蓝牙芯片和模组。

更多产品请看本公司产品专用销售网站：

商斯达中国传感器科技信息网：<http://www.sensor-ic.com/>

商斯达工控安防网：<http://www.pc-ps.net/>

商斯达电子元器件网：<http://www.sunstare.com/>

商斯达微波光电产品网：[HTTP://www.rfoe.net/](http://www.rfoe.net/)

商斯达消费电子产品网：<http://www.icasic.com/>

商斯达实业科技产品网：<http://www.sunstars.cn/> 微波元器件销售热线：

地址：深圳市福田区福华路福庆街鸿图大厦 1602 室

电话：0755-82884100 83397033 83396822 83398585

传真：0755-83376182 (0) 13823648918 MSN: SUNS8888@hotmail.com

邮编：518033 E-mail:szss20@163.com QQ: 195847376

深圳赛格展销部：深圳华强北路赛格电子市场 2583 号 电话：0755-83665529 25059422

技术支持：0755-83394033 13501568376

欢迎索取免费详细资料、设计指南和光盘；产品凡多，未能尽录，欢迎来电查询。

北京分公司：北京海淀区知春路 132 号中发电子大厦 3097 号

TEL: 010-81159046 82615020 13501189838 FAX: 010-62543996

上海分公司：上海市北京东路 668 号上海赛格电子市场 D125 号

TEL: 021-28311762 56703037 13701955389 FAX: 021-56703037

西安分公司：西安高新开发区 20 所(中国电子科技集团导航技术研究所)

西安劳动南路 88 号电子商城二楼 D23 号

TEL: 029-81022619 13072977981 FAX:029-88789382