



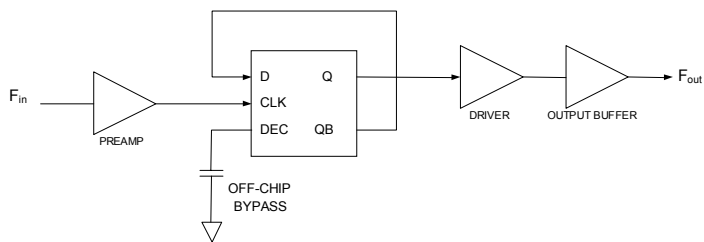
PE3501

Product Description

The PE3501 is a high-performance dynamic UltraCMOS™ prescaler with a fixed divide ratio of 2. Its operating frequency range is 400 MHz to 3.5 GHz. The PE3501 operates on a nominal 3 V supply and draws only 12 mA. It is packaged in a small 8-lead TSSOP and is ideal for frequency scaling and microwave PLL synthesis solutions.

The PE3501 is manufactured on Peregrine's UltraCMOS™ process, a patented variation of silicon-on-insulator (SOI) technology on a sapphire substrate, offering the performance of GaAs with the economy and integration of conventional CMOS.

Figure 1. Functional Schematic Diagram



3500 MHz Low Power UltraCMOS™ Divide-by-2 Prescaler

Features

- High-frequency operation: 400 MHz to 3500 MHz
- Fixed divide ratio of 2
- Low-power operation: 12 mA typical @ 3 V
- Small package: 8-lead TSSOP
- Low cost

Figure 2. Package Type

8-lead TSSOP

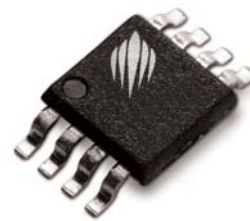
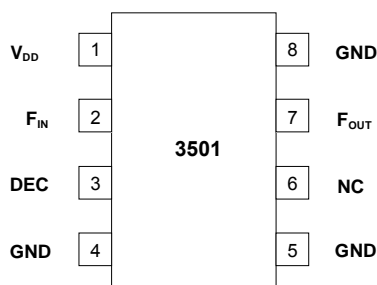


Table 1. Electrical Specifications ($Z_S = Z_L = 50 \Omega$)

$V_{DD} = 3.0 \text{ V}$, $-40^\circ \text{ C} \leq T_A \leq 85^\circ \text{ C}$, unless otherwise specified

Parameter	Conditions	Minimum	Typical	Maximum	Units
Supply Voltage		2.85	3.0	3.15	V
Supply Current			12	15	mA
Input Frequency (F_{in})		400		3500	MHz
Input Power (P_{in})	$400 \text{ MHz} \leq F_{in} \leq 3000 \text{ MHz}$	-10		+10	dBm
	$3000 \text{ MHz} < F_{in} \leq 3500 \text{ MHz}$	0		+10	dBm
Output Power (P_{out})	$400 \text{ MHz} \leq F_{in} \leq 3000 \text{ MHz}$	-10			dBm
	$3000 \text{ MHz} < F_{in} \leq 3500 \text{ MHz}$	-15			dBm

Figure 3. Pin Configuration (Top View)

Table 2. Pin Descriptions

Pin No.	Pin Name	Description
1	V _{DD}	Power supply pin. Bypassing is required.
2	F _{in}	Input signal pin. DC blocking capacitor required (15 pF typical)
3	DEC	Power supply decoupling pin. Place a capacitor as close as possible and connect directly to the ground plane.
4	GND	Ground pin. Ground pattern on the board should be as wide as possible to reduce ground impedance.
5	GND	Ground pin.
6	NC	No Connection. This pin should be left open.
7	F _{out}	Divided frequency output pin. DC blocking capacitor required (47 pF typical)
8	GND	Ground pin.

Table 3. Absolute Maximum Ratings

Symbol	Parameter/Conditions	Min	Max	Units
V _{DD}	Supply voltage		4.0	V
P _{in}	Input Power		15	dBm
T _{ST}	Storage temperature range	-65	150	°C
T _{OP}	Operating temperature range	-40	85	°C
V _{ESD}	ESD voltage (Human Body Model)		250	V

Absolute Maximum Ratings are those values listed in the above table. Exceeding these values may cause permanent device damage. Exposure to absolute maximum ratings for extended periods may affect device reliability.

Electrostatic Discharge (ESD) Precautions

When handling this UltraCMOS™ device, observe the same precautions that you would use with other ESD-sensitive devices. Although this device contains circuitry to protect it from damage due to ESD, precautions should be taken to avoid exceeding the rating specified in Table 3.

Latch-Up Avoidance

Unlike conventional CMOS devices, UltraCMOS™ devices are immune to latch-up.

Device Functional Considerations

The PE3501 divides a 400 MHz to 3500 MHz input signal by two, producing a 200 MHz to 1750 MHz output signal. To work properly, pin 3 must be supplied with a bypass capacitor to ground. In addition, the input and output signals (pins 2 & 7) must be AC coupled via an external capacitor, as shown in the test circuit in Figure 4.

The ground pattern on the board should be made as wide as possible to minimize ground impedance. See Figure 11 for a layout example.

Figure 4. Test Circuit Block Diagram

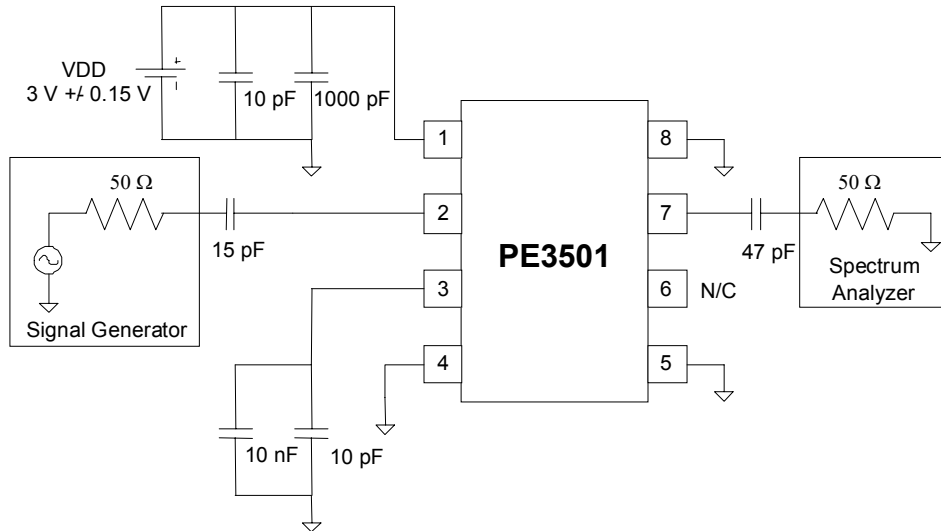
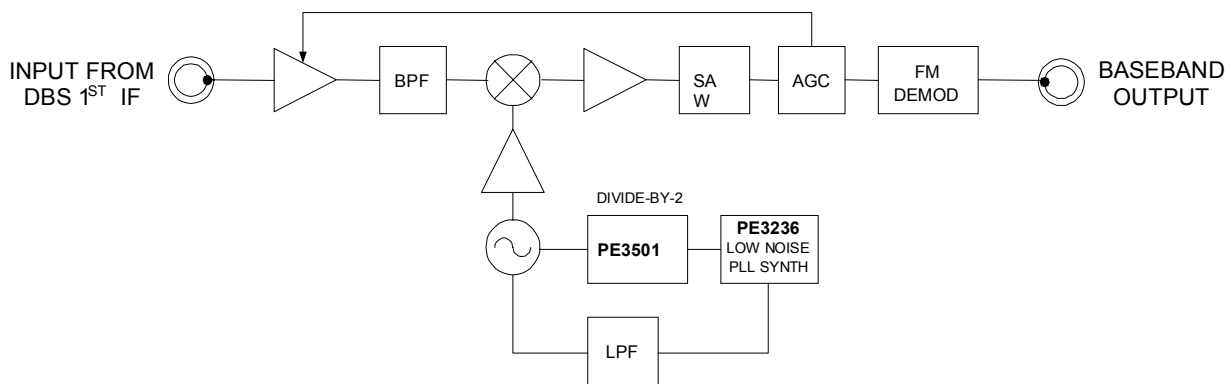


Figure 5. High Frequency System Application

The wideband frequency of operation of the PE3501 makes it an ideal part for use in a DBS down-converter system.



Typical Performance Data

Figure 6. Input Sensitivity

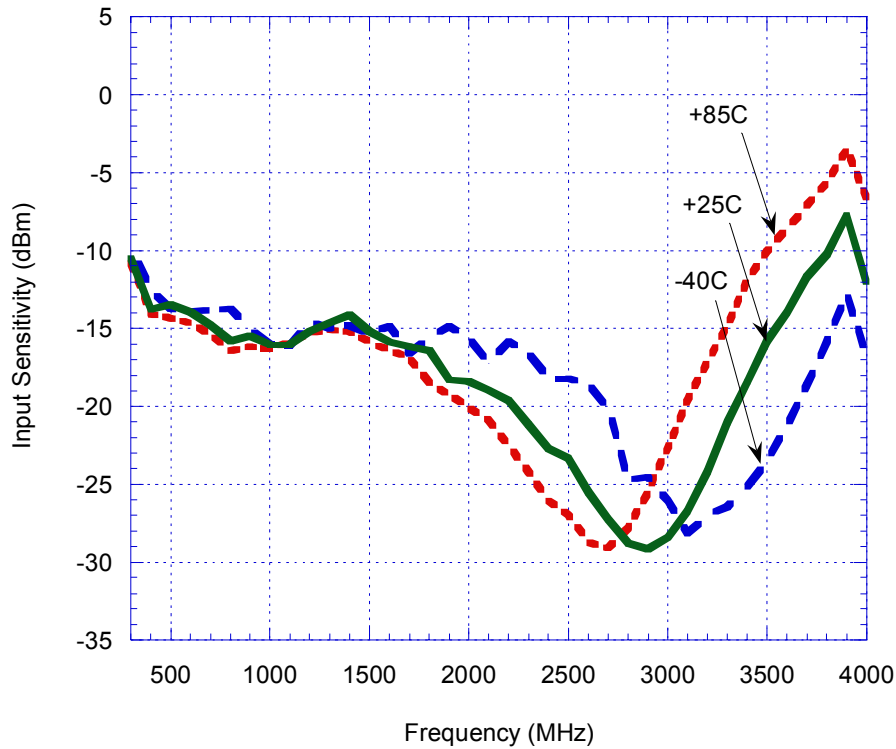


Figure 7. Output Power

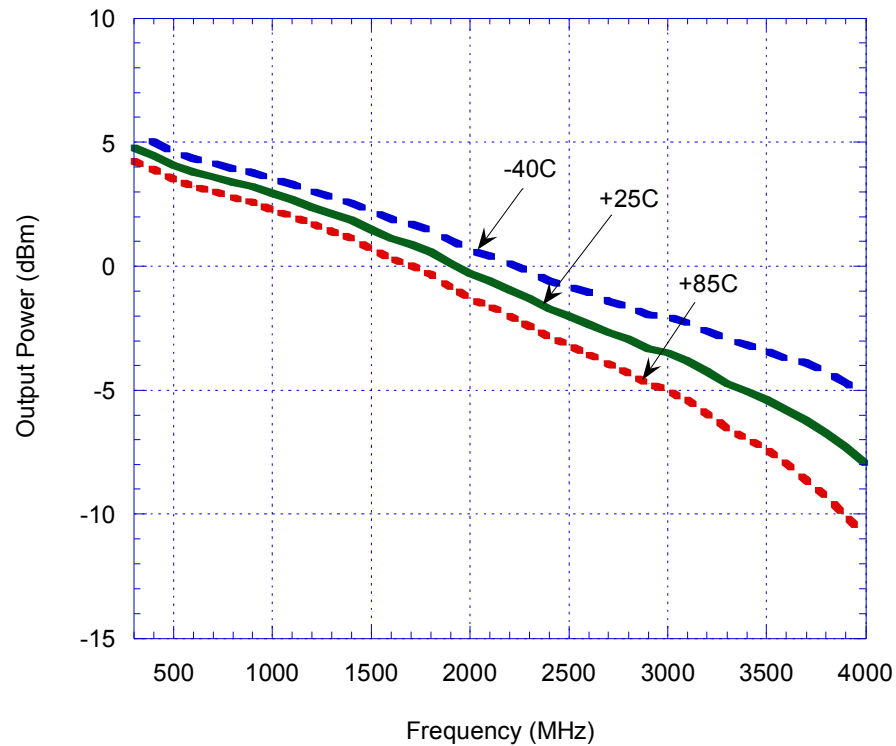


Table 4. S11

Input Freq (GHz)	S11 Magnitude (dB)	S11 Angle (deg)
0.4	-0.5523	-9.337
0.5	-0.6707	-11.253
0.6	-0.806	-13.193
0.7	-0.9642	-14.8
0.8	-1.109	-15.929
0.9	-1.1263	-17.103
1.0	-1.152	-18.594
1.1	-1.1703	-20.722
1.2	-1.2353	-22.915
1.3	-1.4078	-25.66
1.4	-1.6207	-28.199
1.5	-1.8965	-30.249
1.6	-2.1032	-31.079
1.7	-1.9731	-32.514
1.8	-1.8229	-36.258
1.9	-1.8517	-40.604
2.0	-2.0308	-44.918
2.1	-2.1353	-48.91
2.2	-2.2884	-53.156
2.3	-2.397	-56.979
2.4	-2.4811	-61.184
2.5	-2.5498	-64.955
2.6	-2.6367	-68.656
2.7	-2.655	-72.265
2.8	-2.7216	-75.379
2.9	-2.691	-78.326
3.0	-2.6813	-80.734
3.1	-2.6933	-82.87
3.2	-2.6638	-84.784
3.3	-2.6461	-86.468
3.4	-2.6266	-87.788
3.5	-2.5917	-89.118

Table 5. S22

Output Freq (GHz)	S22 Magnitude (dB)	S22 Angle (deg)
0.20	-8.7615	26.726
0.25	-8.2705	21.393
0.30	-7.7885	16.647
0.35	-7.6058	10.297
0.40	-7.7922	6.2004
0.45	-8.2309	2.4335
0.50	-8.5583	-0.3158
0.55	-8.8751	-0.2458
0.60	-8.8599	-3.0515
0.65	-9.1496	-2.6752
0.70	-8.8648	-6.0631
0.75	-9.0828	-5.7925
0.80	-9.2022	-6.8019
0.85	-9.2727	-9.3617
0.90	-9.6494	-12.806
0.95	-9.4383	-14.454
1.00	-9.5217	-16.286
1.05	-9.6043	-19.118
1.10	-9.7282	-23.597
1.15	-9.8069	-25.461
1.20	-9.8221	-29.038
1.25	-9.8694	-32.629
1.30	-9.8693	-34.669
1.35	-9.8667	-40.785
1.40	-9.8509	-43.139
1.45	-9.9141	-46.745
1.50	-9.7063	-51.695
1.55	-9.8686	-54.805
1.60	-9.4836	-56.589
1.65	-9.4498	-62.744
1.70	-9.3233	-66.237
1.75	-9.2206	-66.07

Figure 8. S11 vs. Input Frequency ($V_{DD} = 3 V$)

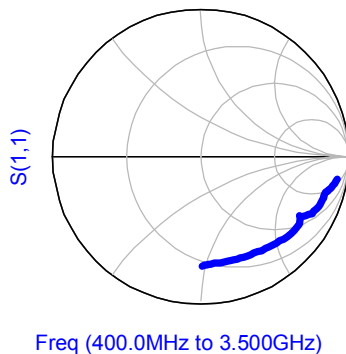
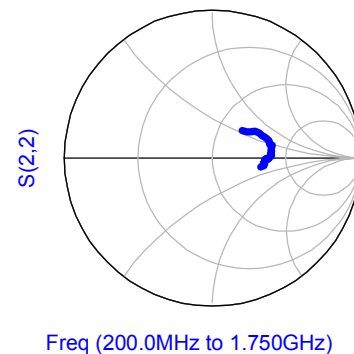


Figure 9. S22 vs. Output Frequency ($V_{DD} = 3 V$)



Evaluation Kit

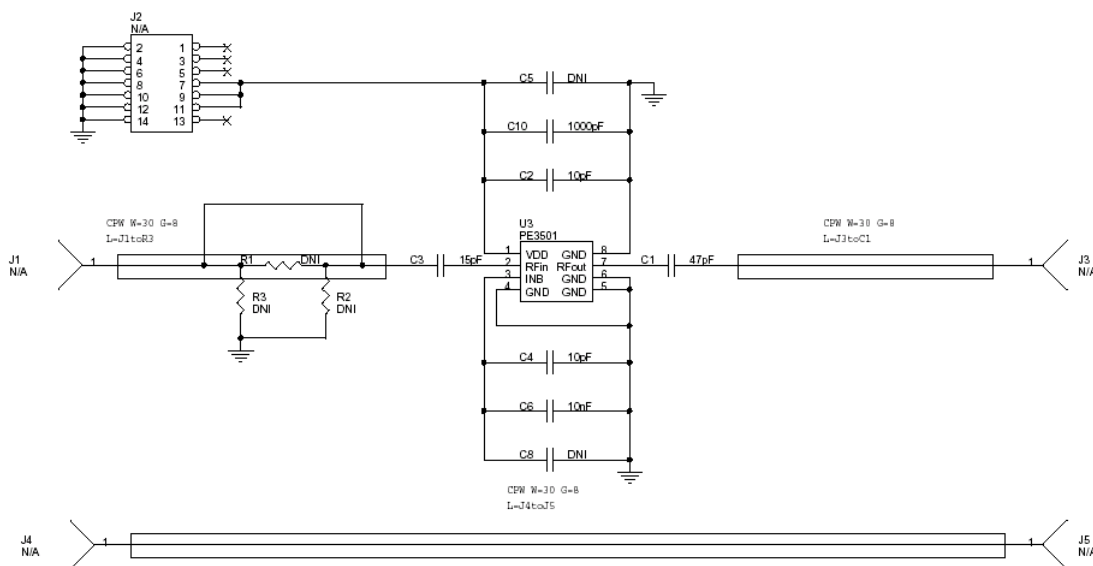
Evaluation Kit Operation

The TSSOP Prescaler Evaluation Board was designed to help customers evaluate the PE3501 Divide-by-2 Prescaler. On this board, the device input (pin 2) is connected to connector J1 through a 50 Ω transmission line. A series capacitor (C1) provides the necessary DC block for the device input. It is important to note that the value of this capacitance will impact the performance of the device. A value of 15 pF was found to be optimal for this board layout; other applications may require a different value.

The device output (pin 7) is connected to connector J3 through a 50 Ω transmission line. A series capacitor (C2) provides the necessary DC block for the device output. Note that this capacitor must be chosen to have a low impedance at the desired output frequency of the device. The value of 47 pF was chosen to provide a wide operating range for the evaluation board.

The board is constructed of a two-layer FR4 material with a total thickness of 0.031". The bottom layer provides ground for the RF transmission lines. The transmission lines were designed using a coplanar waveguide above ground plane model with trace width of 0.030", trace gaps of 0.007", dielectric thickness of 0.028", metal thickness of 0.0014" and ε_r of 4.4. Note that the predominate mode for these transmission lines is coplanar waveguide.

J2 provides DC power to the device. Starting from the lower left pin, the second pin to the right (J2-3) is connected to the device V_{DD} pin (1). Two decoupling capacitors (10 pF, 1000 pF) are included on this trace.



It is the responsibility of the customer to determine proper supply decoupling for their design application.

The DEC pin (3) must be connected to a low impedance AC ground for proper device operation. On the board, two decoupling capacitors (C6 = 10 nF, C4 = 10 pF), located on the back of the board, perform this function.

Applications Support

If you have a problem with your evaluation kit or if you have applications questions, please contact applications support:

E-Mail: help@psemi.com (fastest response)
Phone: (858) 731-9400

Figure 10. Evaluation Board Layouts

Peregrine Specification 101/0035

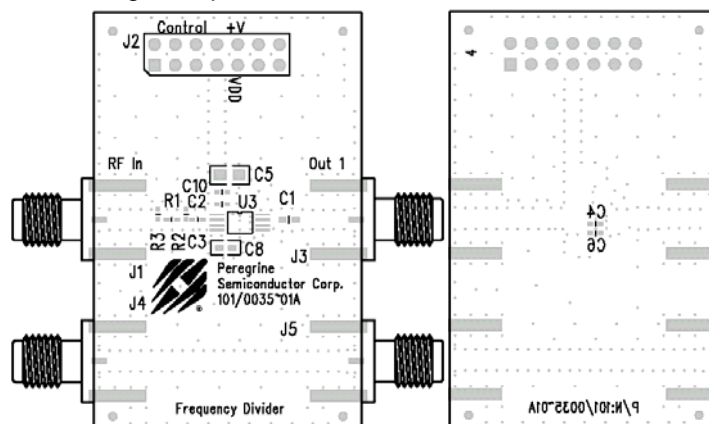


Figure 11. Evaluation Board Schematic

Peregrine Specification 102/0013

Figure 12. Package Drawing

8-lead TSSOP

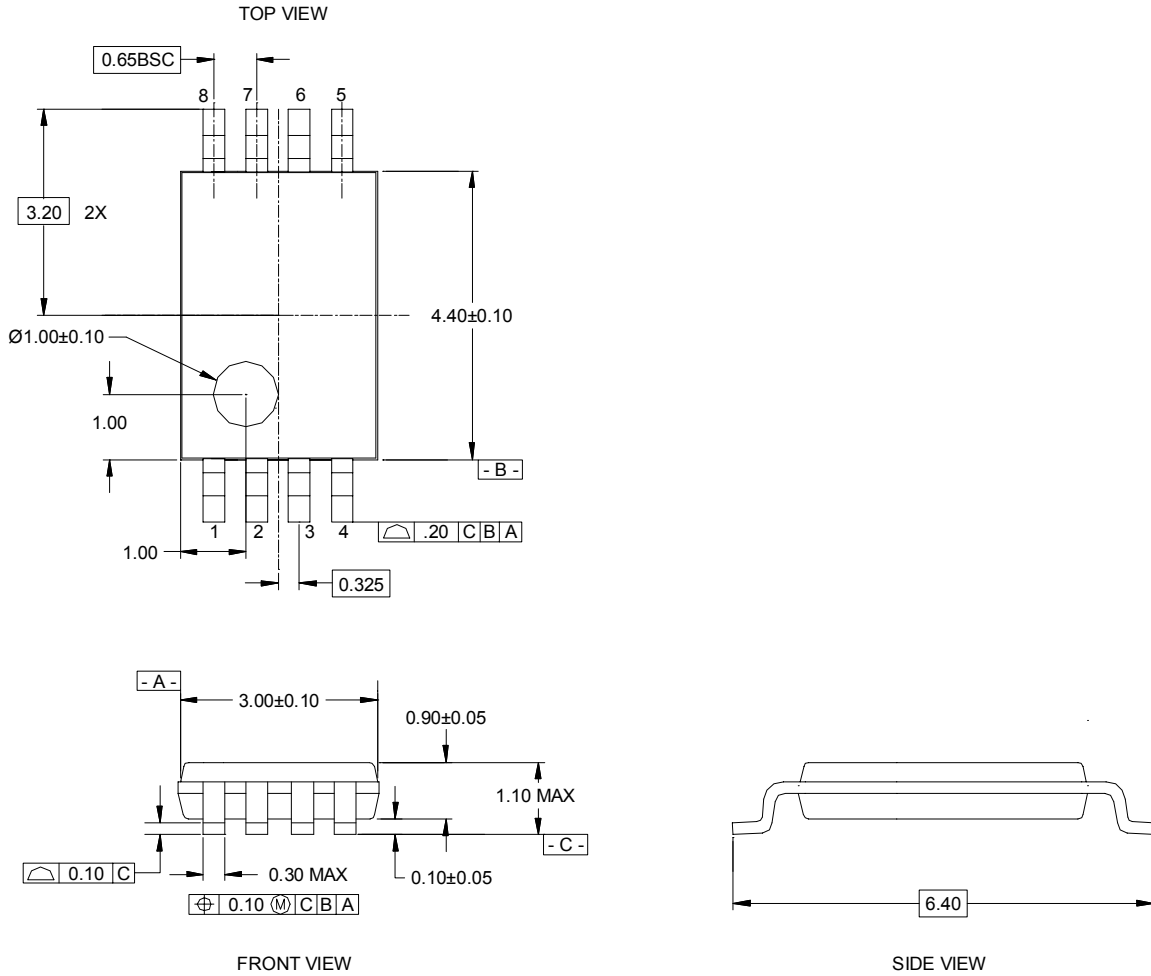


Table 4. Ordering Information

Order Code	Part Marking	Description	Package	Shipping Method
3501-11	PE3501	PE3501-08TSSOP-100A	8-lead TSSOP	100 units / Tube
3501-12	PE3501	PE3501-08TSSOP-2000C	8-lead TSSOP	2000 units / T&R
3501-00	PE3501-EK	PE3501-08TSSOP-EK	Evaluation Board	1 / Box

Sales Offices

The Americas

Peregrine Semiconductor Corp.

9450 Carroll Park Drive
San Diego, CA 92121
Tel 858-731-9400
Fax 858-731-9499

Europe

Peregrine Semiconductor Europe

Commercial Products:

Bâtiment Maine
13-15 rue des Quatre Vents
F- 92380 Garches, France
Tel: +33-1-47-41-91-73
Fax : +33-1-47-41-91-73

Space and Defense Products:

180 Rue Jean de Guiramand
13852 Aix-En-Provence cedex 3, France
Tel: +33(0) 4 4239 3361
Fax: +33(0) 4 4239 7227

North Asia Pacific

Peregrine Semiconductor K.K.

5A-5, 5F Imperial Tower
1-1-1 Uchisaiwaicho, Chiyoda-ku
Tokyo 100-0011 Japan
Tel: +81-3-3501-5211
Fax: +81-3-3501-5213

South Asia Pacific

Peregrine Semiconductor

28G, Times Square,
No. 500 Zhangyang Road,
Shanghai, 200122, P.R. China
Tel: +86-21-5836-8276
Fax: +86-21-5836-7652

For a list of representatives in your area, please refer to our Web site at: www.psemi.com

Data Sheet Identification

Advance Information

The product is in a formative or design stage. The data sheet contains design target specifications for product development. Specifications and features may change in any manner without notice.

Preliminary Specification

The data sheet contains preliminary data. Additional data may be added at a later date. Peregrine reserves the right to change specifications at any time without notice in order to supply the best possible product.

Product Specification

The data sheet contains final data. In the event Peregrine decides to change the specifications, Peregrine will notify customers of the intended changes by issuing a DCN (Document Change Notice).

The information in this data sheet is believed to be reliable. However, Peregrine assumes no liability for the use of this information. Use shall be entirely at the user's own risk.

No patent rights or licenses to any circuits described in this data sheet are implied or granted to any third party.

Peregrine's products are not designed or intended for use in devices or systems intended for surgical implant, or in other applications intended to support or sustain life, or in any application in which the failure of the Peregrine product could create a situation in which personal injury or death might occur. Peregrine assumes no liability for damages, including consequential or incidental damages, arising out of the use of its products in such applications.

The Peregrine name, logo, and UTSi are registered trademarks and UltraCMOS is a trademark of Peregrine Semiconductor Corp.

SUNSTAR 商斯达实业集团是集研发、生产、工程、销售、代理经销、技术咨询、信息服务等为一体的高科技企业，是专业高科技电子产品生产厂家，是具有 10 多年历史的专业电子元器件供应商，是中国最早和最大的仓储式连锁规模经营大型综合电子零部件代理分销商之一，是一家专业代理和分销世界各大品牌 IC 芯片和电子元器件的连锁经营综合性国际公司，专业经营进口、国产名厂名牌电子元件，型号、种类齐全。在香港、北京、深圳、上海、西安、成都等全国主要电子市场设有直属分公司和产品展示展销窗口门市部专卖店及代理分销商，已在全国范围内建成强大统一的供货和代理分销网络。我们专业代理经销、开发生产电子元器件、集成电路、传感器、微波光电元器件、工控机/DOC/DOM 电子盘、专用电路、单片机开发、MCU/DSP/ARM/FPGA 软件硬件、二极管、三极管、模块等，是您可靠的一站式现货配套供应商、方案提供商、部件功能模块开发配套商。商斯达实业公司拥有庞大的资料库，有数位毕业于著名高校——有中国电子工业摇篮之称的西安电子科技大学（西军电）并长期从事国防尖端科技研究的高级工程师为您精挑细选、量身订做各种高科技电子元器件，并解决各种技术问题。

微波光电部专业代理经销高频、微波、光纤、光电元器件、组件、部件、模块、整机；电磁兼容元器件、材料、设备；微波 CAD、EDA 软件、开发测试仿真工具；微波、光纤仪器仪表。欢迎国外高科技微波、光纤厂商将优秀产品介绍到中国、共同开拓市场。长期大量现货专业批发高频、微波、卫星、光纤、电视、CATV 器件：晶振、VCO、连接器、PIN 开关、变容二极管、开关二极管、低噪晶体管、功率电阻及电容、放大器、功率管、MMIC、混频器、耦合器、功分器、振荡器、合成器、衰减器、滤波器、隔离器、环行器、移相器、调制解调器；光电子器件和组件：红外发射管、红外接收管、光电开关、光敏管、发光二极管和发光二极管组件、半导体激光二极管和激光器组件、光电探测器和光接收组件、光发射接收模块、光纤激光器和光放大器、光调制器、光开关、DWDM 用光发射和接收器件、用户接入系统光收发器件与模块、光纤连接器、光纤跳线/尾纤、光衰减器、光纤适配器、光隔离器、光耦合器、光环行器、光复用器/转换器；无线收发芯片和模组、蓝牙芯片和模组。

更多产品请看本公司产品专用销售网站：

商斯达微波光电产品网：[HTTP://www.rfoe.net/](http://www.rfoe.net/)

商斯达中国传感器科技信息网：<http://www.sensor-ic.com/>

商斯达工控安防网：<http://www.pc-ps.net/>

商斯达电子元器件网：<http://www.sunstare.com/>

商斯达消费电子产品网：<http://www.icasic.com/>

商斯达实业科技产品网：<http://www.sunstars.cn/> 射频微波光电元器件销售热线：

地址：深圳市福田区福华路福庆街鸿图大厦 1602 室

电话：0755-83396822 83397033 83398585 82884100

传真：0755-83376182 (0) 13823648918 MSN: SUNS8888@hotmail.com

邮编：518033 E-mail:szss20@163.com QQ: 195847376

深圳赛格展销部：深圳华强北路赛格电子市场 2583 号 电话：0755-83665529 25059422

技术支持：0755-83394033 13501568376

欢迎索取免费详细资料、设计指南和光盘；产品凡多，未能尽录，欢迎来电查询。

北京分公司：北京海淀区知春路 132 号中发电子大厦 3097 号

TEL: 010-81159046 82615020 13501189838 FAX: 010-62543996

上海分公司：上海市北京东路 668 号上海赛格电子市场 D125 号

TEL: 021-28311762 56703037 13701955389 FAX: 021-56703037

西安分公司：西安高新开发区 20 所(中国电子科技集团导航技术研究所)

西安劳动南路 88 号电子商城二楼 D23 号

TEL: 029-81022619 13072977981 FAX:029-88789382