



Product Description

Peregrine's PE97632 is a high performance fractional-N PLL capable of frequency synthesis up to 3.2 GHz. The device is designed for superior phase noise performance while providing an order of magnitude reduction in current consumption, when compared with the existing commercial space PLLs.

The PE97632 features a 10/11 dual modulus prescaler, counters, a delta sigma modulator, and a phase comparator as shown in Figure 1. Counter values are programmable through either a serial interface or directly hard-wired.

The PE97632 is optimized for commercial space applications. Single Event Latch up (SEL) is physically impossible and Single Event Upset (SEU) is better than 10⁻⁹ errors per bit / day. Fabricated in Peregrine's patented UTSi® (Ultra Thin Silicon) CMOS technology, the PE97632 offers excellent RF performance and intrinsic radiation tolerance.

3.2 GHz Delta-Sigma modulated Fractional-N Frequency Synthesizer for Low Phase Noise Applications

Features

- 3.2 GHz operation
- ÷10/11 dual modulus prescaler
- Phase detector output
- Serial or Direct mode access
- Frequency selectivity: Comparison frequency / 2¹⁸
- Low power — 50 mA at 3.3 V
- Rad-Hard
- Ultra-low phase noise
- 68-lead CQFJ

Figure 1. Block Diagram

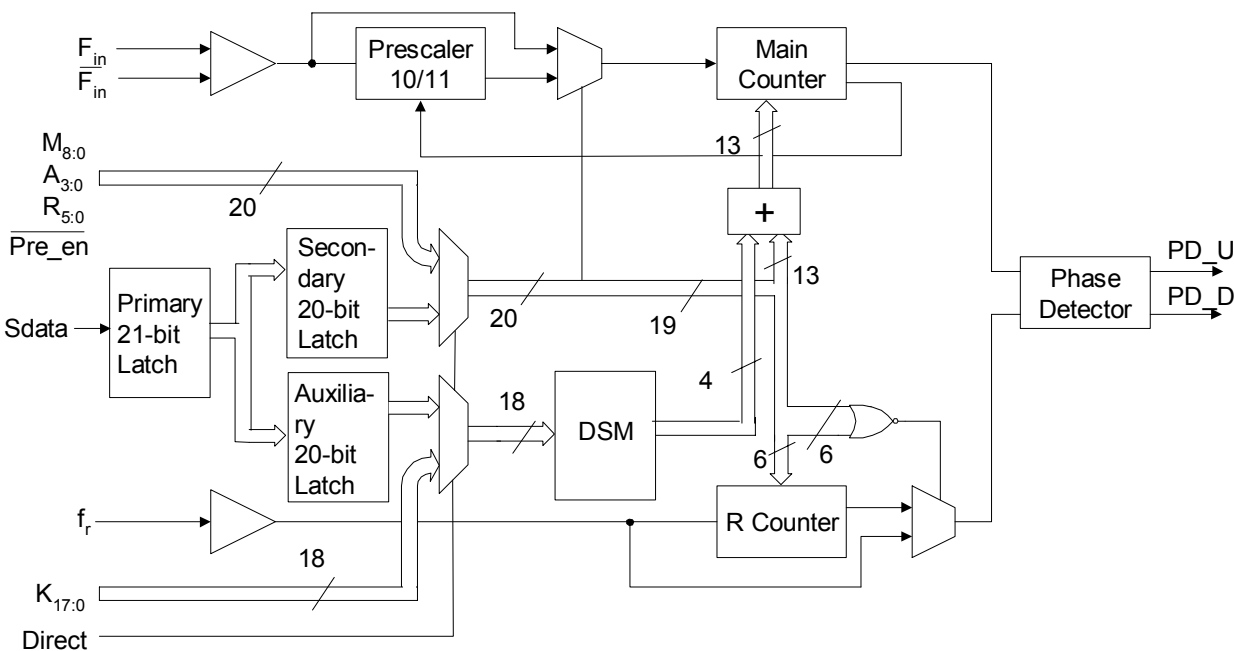


Figure 2. Pin Configuration

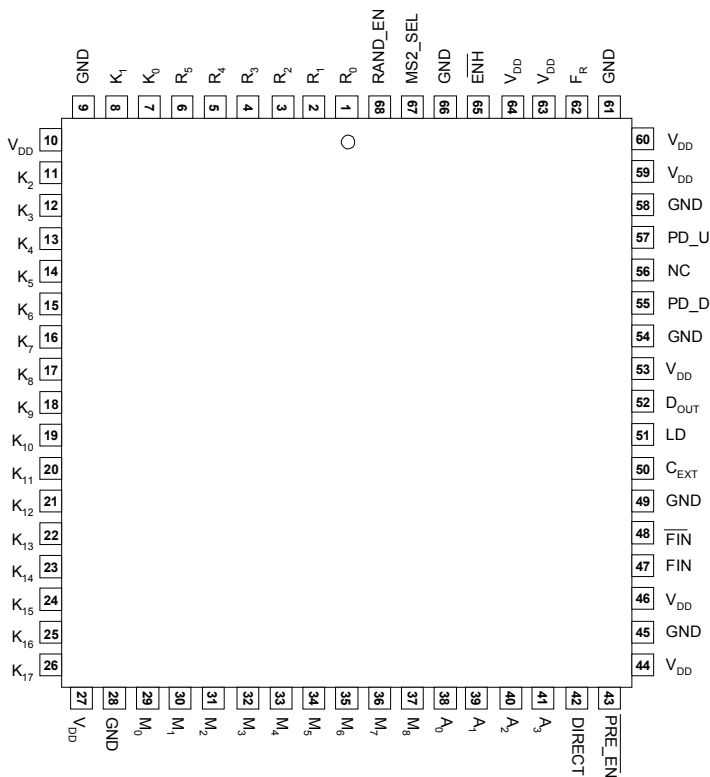


Table 1. Pin Descriptions

Pin No.	Pin Name	Valid Mode	Type	Description
1	R ₀	Direct	Input	R Counter bit0 (LSB).
2	R ₁	Direct	Input	R Counter bit1.
3	R ₂	Direct	Input	R Counter bit2.
4	R ₃	Direct	Input	R Counter bit3.
5	R ₄	Direct	Input	R Counter bit4.
6	R ₅	Direct	Input	R Counter bit5 (MSB).
7	K ₀	Direct	Input	K Counter bit0 (LSB).
8	K ₁	Direct	Input	K Counter bit1.
9	GND		Downbond	Ground
10	V _{DD}		(Note 1)	Digital core V _{DD} .
11	K ₂	Direct	Input	K Counter bit2.
12	K ₃	Direct	Input	K Counter bit3.
13	K ₄	Direct	Input	K Counter bit4.
14	K ₅	Direct	Input	K Counter bit5.
15	K ₆	Direct	Input	K Counter bit6.

PE97632

Advance Information



Pin No.	Pin Name	Valid Mode	Type	Description
16	K ₇	Direct	Input	K Counter bit7.
17	K ₈	Direct	Input	K Counter bit8.
18	K ₉	Direct	Input	K Counter bit9.
19	K ₁₀	Direct	Input	K Counter bit10.
20	K ₁₁	Direct	Input	K Counter bit11.
21	K ₁₂	Direct	Input	K Counter bit12.
22	K ₁₃	Direct	Input	K Counter bit13.
23	K ₁₄	Direct	Input	K Counter bit14.
24	K ₁₅	Direct	Input	K Counter bit15.
25	K ₁₆	Direct	Input	K Counter bit16.
26	K ₁₇	Direct	Input	K Counter bit17 (MSB).
27	V _{DD}		(Note 1)	Digital core V _{DD} .
28	GND		Downbond	Ground
29	M ₀	Direct	Input	M Counter bit0 (LSB).
30	M ₁	Direct	Input	M Counter bit1.
31	M ₂	Direct	Input	M Counter bit2
32	M ₃	Direct	Input	M Counter bit3.
33	M ₄	Direct	Input	M Counter bit4.
	S_WR	Serial	Input	Serial load enable input. While S_WR is "low", Sdata can be serially clocked. Primary register data are transferred to the secondary register on S_WR or Hop_WR rising edge.
34	M ₅	Direct	Input	M Counter bit5.
	SDATA	Serial	Input	Binary serial data input. Input data entered MSB first.
35	M ₆	Direct	Input	M Counter bit6.
	SCLK	Serial	Input	Serial clock input. SDATA is clocked serially into the 20-bit primary register (E_WR "low") or the 8-bit enhancement register (E_WR "high") on the rising edge of Sclk.
36	M ₇	Direct	Input	M Counter bit7.
37	M ₈	Direct	Input	M Counter bit8 (MSB).
38	A ₀	Direct	Input	A Counter bit0 (LSB).
39	A ₁	Direct	Input	A Counter bit1.
	E_WR	Serial	Input	Enhancement register write enable. While E_WR is "high", Sdata can be serially clocked into the enhancement register on the rising edge of Sclk.
40	A ₂	Direct	Input	A Counter bit2.
41	A ₃	Direct	Input	A Counter bit3 (MSB).
42	DIRECT	Both	Input	Direct mode select. "High" enables direct mode. "Low" enables serial mode.
43	$\overline{\text{Pre_en}}$	Direct	Input	Prescaler enable, active "low". When "high", Fin bypasses the prescaler.
44	V _{DD}		(Note 1)	Digital core V _{DD} .
45	GND		Downbond	Ground

Pin No.	Pin Name	Valid Mode	Type	Description
46	V _{DD}		(Note 1)	Prescaler V _{DD} .
47	F _{in}	Both	Input	Prescaler input from the VCO. 3.2 GHz max frequency.
48	\overline{F}_{in}	Both	Input	Prescaler complementary input. A bypass capacitor should be placed as close as possible to this pin and be connected in series with a 50 Ω resistor directly to the ground plane.
49	GND		Downbond	Ground
50	CEXT	Both	Output	Logical "NAND" of PD_U and PD_D terminated through an on chip, 2 k Ω series resistor. Connecting Cext to an external capacitor will low pass filter the input to the inverting amplifier used for driving LD.
51	LD	Both	Output	Lock detect and open drain logical inversion of CEXT. When the loop is in lock, LD is high impedance, otherwise LD is a logic low ("0").
52	D _{OUT}	Both	Output	Data out function, enabled in enhancement mode.
53	V _{DD}		(Note 1)	Output driver/charge pump V _{DD} .
54	GND		Downbond	Ground
55	PD_D	Both	Output	PD_D pulses down when f _p leads f _c . PD_U is driven to GND when CPSEL = "High".
56	NC	Both	Output	No Connect
57	PD_U	Both	Output	PD_U pulses down when f _c leads f _p . PD_D is driven to GND when CPSEL = "High".
58	GND		Downbond	Ground
59	V _{DD}		(Note 1)	Output driver/charge pump V _{DD} .
60	V _{DD}		(Note 1)	Phase detector V _{DD} .
61	GND		Downbond	Ground
62	f _r	Both	Input	Reference frequency input.
63	V _{DD}		(Note 1)	Reference V _{DD} .
64	V _{DD}		(Note 1)	Digital core V _{DD} .
	GND		Downbond	Ground
65	\overline{ENH}	Both	Input	Enhancement mode. When asserted low ("0"), enhancement register bits are functional.
66	GND	Both	Downbond	Ground
67	MS2_SEL	Both	Input	MASH 1-1 select. "High" selects MASH 1-1 mode. "Low" selects the MASH 1-1-1 mode.
68	RND_SEL	Both	Input	K register LSB toggle enable. "1" enables the toggling of LSB. This is equivalent to having an additional bit for the LSB of K register. The frequency offset as a result of enabling this bit is the phase detector comparison frequency / 2 ¹⁹ .

Note 1: All V_{DD} pins are connected by diodes and must be supplied with the same positive voltage level.

Note 2: All digital input pins have 70 k Ω pull-down resistors to ground.

Table 2. Absolute Maximum Ratings

Symbol	Parameter/Conditions	Min	Max	Units
V_{DD}	Supply voltage	-0.3	4.0	V
V_I	Voltage on any input	-0.3	$V_{DD} + 0.3$	V
I_I	DC into any input	-10	+10	mA
I_O	DC into any output	-10	+10	mA
T_{stg}	Storage temperature range	-65	150	°C

Table 3. Operating Ratings

Symbol	Parameter/Conditions	Min	Max	Units
V_{DD}	Supply voltage	2.85	3.45	V
T_A	Operating ambient temperature range	-40	85	°C

Table 4. ESD Ratings

Symbol	Parameter/Conditions	Level	Units
V_{ESD}	ESD voltage human body model (Note 1)	1000	V

Note 1: Periodically sampled, not 100% tested. Tested per MIL-STD-883, M3015 C2

Electrostatic Discharge (ESD) Precautions

When handling this UltraCMOS™ device, observe the same precautions that you would use with other ESD-sensitive devices. Although this device contains circuitry to protect it from damage due to ESD, precautions should be taken to avoid exceeding the rating specified in Table 4.

Latch-Up Avoidance

Unlike conventional CMOS devices, UltraCMOS™ devices are immune to latch-up.

Table 5. DC Characteristics

$V_{DD} = 3.0\text{ V}$, $-40^\circ\text{ C} < T_A < 85^\circ\text{ C}$, unless otherwise specified

Symbol	Parameter	Conditions	Min	Typ	Max	Units
I_{DD}	Operational supply current; Prescaler enabled	$V_{DD} = 2.85\text{ to }3.45\text{ V}$		50		mA
I_{DD}	Operational supply current; Prescaler disabled	$V_{DD} = 2.85\text{ to }3.45\text{ V}$		10		mA
All Digital inputs: K[17:0], R[5:0], M[8:0], A[3:0], Direct, Pre_en, Rand_en, M2_sel, Cpsel, Enh (contains a 70 kΩ pull-down resistor)						
V_{IH}	High level input voltage	$V_{DD} = 2.85\text{ to }3.45\text{ V}$	$0.7 \times V_{DD}$			V
V_{IL}	Low level input voltage	$V_{DD} = 2.85\text{ to }3.45\text{ V}$			$0.3 \times V_{DD}$	V
I_{IH}	High level input current	$V_{IH} = V_{DD} = 3.45\text{ V}$			+100	μA
I_{IL}	Low level input current	$V_{IL} = 0, V_{DD} = 3.45\text{ V}$	-1			μA
Reference Divider input: f_r						
I_{IHR}	High level input current	$V_{IH} = V_{DD} = 3.45\text{ V}$			+100	μA
I_{ILR}	Low level input current	$V_{IL} = 0, V_{DD} = 3.45\text{ V}$	-100			μA
Counter and phase detector outputs: PD_D, PD_U						
V_{OLD}	Output voltage LOW	$I_{out} = 6\text{ mA}$			0.4	V
V_{OHD}	Output voltage HIGH	$I_{out} = -3\text{ mA}$	$V_{DD} - 0.4$			V
Digital test outputs: Dout						
V_{OLD}	Output voltage LOW	$I_{out} = 200\text{ μA}$			0.4	V
V_{OHD}	Output voltage HIGH	$I_{out} = -200\text{ μA}$	$V_{DD} - 0.4$			V
Lock detect outputs: (Cext, LD)						
V_{OLC}	Output voltage LOW, Cext	$I_{out} = 0.1\text{ mA}$			0.4	V
V_{OHC}	Output voltage HIGH, Cext	$I_{out} = -0.1\text{ mA}$	$V_{DD} - 0.4$			V
V_{OLLD}	Output voltage LOW, LD	$I_{out} = 1\text{ mA}$			0.4	V

Table 6. AC Characteristics
 $V_{DD} = 3.0\text{ V}$, $-40^{\circ}\text{ C} < T_A < 85^{\circ}\text{ C}$, unless otherwise specified

Symbol	Parameter	Conditions	Min	Typ	Max	Units
Control Interface and Latches (see Figures 3, 4)						
f_{clk}	Serial data clock frequency	(Note 1)			10	MHz
t_{clkH}	Serial clock HIGH time		30			ns
t_{clkL}	Serial clock LOW time		30			ns
t_{DSU}	Sdata set-up time to Sclk rising edge		10			ns
t_{DHLD}	Sdata hold time after Sclk rising edge		10			ns
t_{PW}	S_WR pulse width		30			ns
t_{CWR}	Sclk rising edge to S_WR rising edge		30			ns
t_{CE}	Sclk falling edge to E_WR transition		30			ns
t_{WRC}	S_WR falling edge to Sclk rising edge		30			ns
t_{EC}	E_WR transition to Sclk rising edge		30			ns
Main Divider (Including Prescaler) (Note 4)						
F_{in}	Operating frequency		275		3200	MHz
P_{Fin}	Input level range	External AC coupling	-5		5	dBm
Main Divider (Prescaler Bypassed) (Note 4)						
F_{in}	Operating frequency		50		300	MHz
P_{Fin}	Input level range	External AC coupling	-5		5	dBm
Reference Divider						
f_r	Operating frequency	(Note 3)			100	MHz
P_{fr}	Reference input power (Note 2)	Single ended input	-2			dBm
Phase Detector						
f_c	Comparison frequency	(Note 3)			50	MHz
SSB Phase Noise ($F_{\text{in}} = 1.9\text{ GHz}$, $f_r = 20\text{ MHz}$, $f_c = 20\text{ MHz}$, $\text{LBW} = 50\text{ kHz}$, $V_{\text{DD}} = 3.3\text{ V}$, $\text{Temp} = 25^{\circ}\text{ C}$) (Note 4)						
Φ_{N}	Phase Noise	1 kHz Offset		-97		dBc/Hz
Φ_{N}	Phase Noise	10 kHz Offset		-102		dBc/Hz

Note 1: f_{clk} is verified during the functional pattern test. Serial programming sections of the functional pattern are clocked at 10 MHz to verify f_{clk} specification.

Note 2: CMOS logic levels can be used to drive reference input if DC coupled. Voltage input needs to be a minimum of 0.5 V_{p-p}. For optimum phase noise performance, the reference input falling edge rate should be faster than 80mV/ns.

Note 3: Parameter is guaranteed through characterization only and is not tested.

Note 4: Parameter below are not tested for die sales. These parameters are verified during the element evaluation per the die flow.

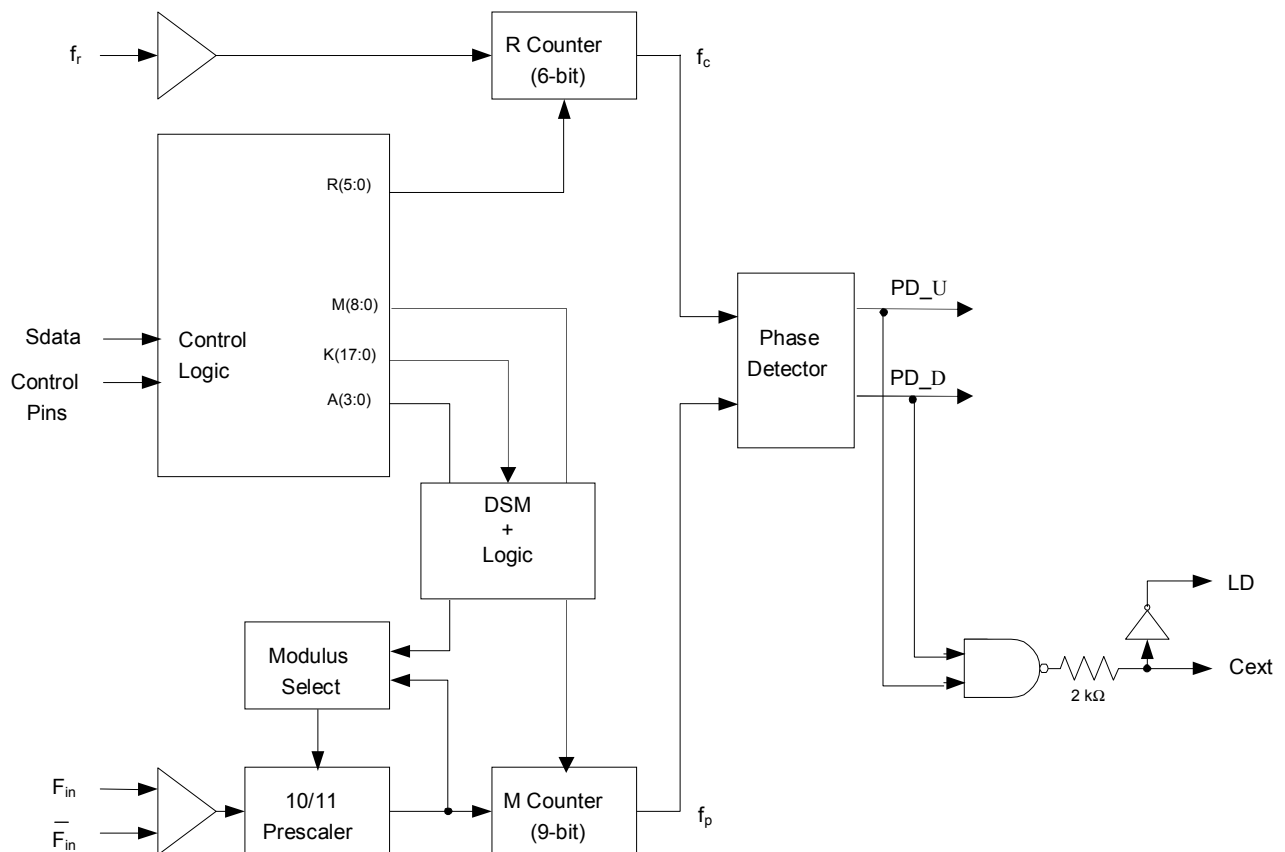
Functional Description

The PE97632 consists of counters, a prescaler, an 18-bit delta-sigma modulator (DSM), a phase detector and a charge pump. The dual modulus prescaler divides the VCO frequency by either 10 or 11, depending on the value of the modulus select. Counters “R” and “M” divide the reference and prescaler output, respectively, by integer values stored in a 20-bit register. An additional counter (“A”) is used in the modulus select logic.

The DSM modulates the “A” counter outputs in order to achieve the desired fractional step.

The phase-frequency detector generates up and down frequency control signals. These signals can be configured to drive a tri-state charge pump. Data is written into the internal registers via the three wire serial bus. There are also various operational and test modes and a lock detect output.

Figure 3. Functional Block Diagram



Main Counter Chain

Normal Operating Mode

Setting the Pre_en control bit “low” enables the ÷10/11 prescaler. The main counter chain then divides the RF input frequency (F_{in}) by an integer or fractional number derived from the values in the “M”, “A” counters and the DSM input word K. The accumulator size is 18 bit, so the fractional value is fixed from the ratio $K/2^{18}$. There is an additional bit in the DSM that acts like an extra bit (19th bit). This bit is enabled by asserting the pin RAND_SEL to “high”. Enabling this bit has the benefit of reducing the spurious levels. However, a small frequency offset will occur. This positive frequency offset is calculated with the following equation.

$$f_{offset} = (f_r / (R + 1)) / 2^{19} \quad (1)$$

All of the following equations do not take into account this frequency offset. If this offset is important to a specific frequency plan, appropriate account needs to be taken.

In the normal mode, the output from the main counter chain (f_p) is related to the VCO frequency (F_{in}) by the following equation:

$$f_p = F_{in} / [10 \times (M + 1) + A + K/2^{18}] \quad (2)$$

where $A \leq M + 1$, $1 \leq M \leq 511$

When the loop is locked, F_{in} is related to the reference frequency (f_r) by the following equation:

$$F_{in} = [10 \times (M + 1) + A + K/2^{18}] \times (f_r / (R+1)) \quad (3)$$

where $A \leq M + 1$, $1 \leq M \leq 511$

A consequence of the upper limit on A is that F_{in} must be greater than or equal to $90 \times (f_r / (R+1))$ to obtain contiguous channels. The A counter can accept values as high as 15, but in typical operation it will cycle from 0 to 9 between increments in M.

Programming the M counter with the minimum allowed value of “1” will result in a minimum M counter divide ratio of “2”.

Prescaler Bypass Mode (*)

Setting the frequency control register bit Pre_en “high” allows F_{in} to bypass the ÷10/11 prescaler.

In this mode, the prescaler and A counter are powered down, and the input VCO frequency is divided by the M counter directly. The following equation relates F_{in} to the reference frequency f_r :

$$F_{in} = (M + 1) \times (f_r / (R+1)) \quad (4)$$

where $1 \leq M \leq 511$

(*) Only integer mode

In frequency bypass mode, neither A counter or K counter is used. Therefore, only integer-N operation is possible.

Reference Counter

The reference counter chain divides the reference frequency f_r down to the phase detector comparison frequency f_c .

The output frequency of the 6-bit R Counter is related to the reference frequency by the following equation:

$$f_c = f_r / (R + 1) \quad (5)$$

where $0 \leq R \leq 63$

Note that programming R with “0” will pass the reference frequency (f_r) directly to the phase detector.

Register Programming

Serial Interface Mode

While the E_WR input is “low” and the S_WR input is “low”, serial input data (Sdata input), B_0 to B_{20} , are clocked serially into the primary register on the rising edge of Sclk, MSB (B_0) first. The LSB is used as address bit. When “0”, the contents from the primary register are transferred into the secondary register on the rising edge of either S_WR according to the timing diagrams shown in Figure 4. When “1”, data is transferred to the auxiliary register according to the same timing diagram. The secondary register is used to program the various counters, while the auxiliary register is used to program the DSM.

Data are transferred to the counters as shown in Table 8 on page 10.

While the E_WR input is “high” and the S_WR input is “low”, serial input data (Sdata input), B₀ to B₇, are clocked serially into the enhancement register on the rising edge of Sclk, MSB (B₀) first. The enhancement register is double buffered to prevent inadvertent control changes during serial loading, with buffer capture of the serially entered data performed on the falling edge of E_WR according to the timing diagram shown in Figure 4. After the falling edge of E_WR, the data provide control bits as shown in Table 9 on page 10 will have their bit functionality enabled by asserting the Enh input “low”.

Direct Interface Mode

Direct Interface Mode is selected by setting the “Direct” input “high”.

Counter control bits are set directly at the pins as shown in Table 7 and Table 8.

Table 7. Secondary Register Programming

Interface Mode	$\overline{\text{Enh}}$	R ₅	R ₄	M ₈	M ₇	$\overline{\text{Pre_en}}$	M ₆	M ₅	M ₄	M ₃	M ₂	M ₁	M ₀	R ₃	R ₂	R ₁	R ₀	A ₃	A ₂	A ₁	A ₀	Addr
Direct	1	R ₅	R ₄	M ₈	M ₇	$\overline{\text{Pre_en}}$	M ₆	M ₅	M ₄	M ₃	M ₂	M ₁	M ₀	R ₃	R ₂	R ₁	R ₀	A ₃	A ₂	A ₁	A ₀	X
Serial*	1	B ₀	B ₁	B ₂	B ₃	B ₄	B ₅	B ₆	B ₇	B ₈	B ₉	B ₁₀	B ₁₁	B ₁₂	B ₁₃	B ₁₄	B ₁₅	B ₁₆	B ₁₇	B ₁₈	B ₁₉	0

*Serial data clocked serially on Sclk rising edge while E_WR “low” and captured in secondary register on S_WR rising edge.

↑
MSB (first in)

↑
(last in) LSB

Table 8. Auxiliary Register Programming

Interface Mode	$\overline{\text{Enh}}$	K ₁₇	K ₁₆	K ₁₅	K ₁₄	K ₁₃	K ₁₂	K ₁₁	K ₁₀	K ₉	K ₈	K ₇	K ₆	K ₅	K ₄	K ₃	K ₂	K ₁	K ₀	Rsrv	Rsrv	Addr
Direct	1	K ₁₇	K ₁₆	K ₁₅	K ₁₄	K ₁₃	K ₁₂	K ₁₁	K ₁₀	K ₉	K ₈	K ₇	K ₆	K ₅	K ₄	K ₃	K ₂	K ₁	K ₀	X	X	X
Serial*	1	B ₀	B ₁	B ₂	B ₃	B ₄	B ₅	B ₆	B ₇	B ₈	B ₉	B ₁₀	B ₁₁	B ₁₂	B ₁₃	B ₁₄	B ₁₅	B ₁₆	B ₁₇	B ₁₈	B ₁₉	1

*Serial data clocked serially on Sclk rising edge while E_WR “low” and captured in secondary register on S_WR rising edge.

↑
MSB (first in)

↑
(last in) LSB

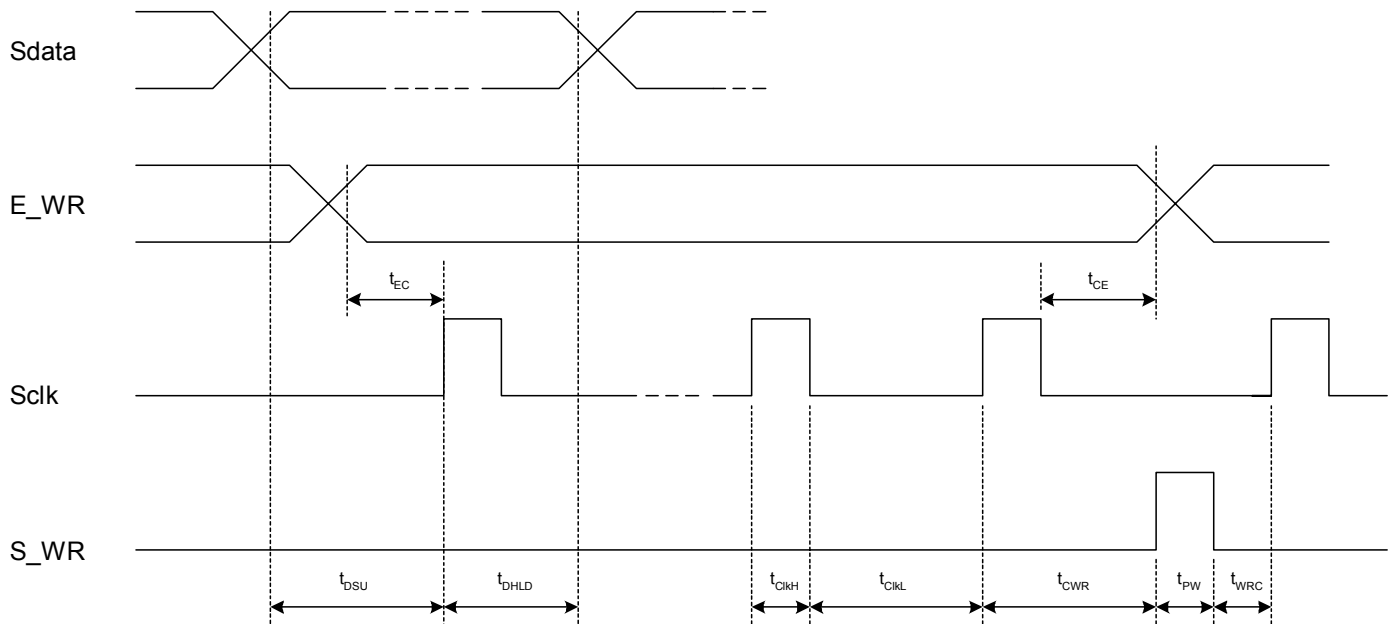
Table 9. Enhancement Register Programming

Interface Mode	$\overline{\text{Enh}}$	Reserved	Reserved	f _p output	Power Down	Counter load	MSEL output	f _e output	LD Disable
Serial*	0	B ₀	B ₁	B ₂	B ₃	B ₄	B ₅	B ₆	B ₇

*Serial data clocked serially on Sclk rising edge while E_WR “high” and captured in the double buffer on E_WR falling edge.

↑
MSB (first in)

↑
(last in) LSB

Figure 4. Serial Interface Mode Timing Diagram

Enhancement Register

The functions of the enhancement register bits are shown below with all bits active “high”.

Table 10. Enhancement Register Bit Functionality

Bit Function		Description
Bit 0	Reserve **	Reserved.
Bit 1	Reserve **	Reserved.
Bit 2	f_p output	Drives the M counter output onto the Dout output.
Bit 3	Power down	Power down of all functions except programming interface.
Bit 4	Counter load	Immediate and continuous load of counter programming.
Bit 5	MSEL output	Drives the internal dual modulus prescaler modulus select (MSEL) onto the Dout output.
Bit 6	f_c output	Drives the reference counter output onto the Dout output.
Bit 7	LD Disable	Disables the LD pin for quieter operation.

** Program to 0

Phase Detector

The phase detector is triggered by rising edges from the main Counter (f_p) and the reference counter (f_c). It has two outputs, namely PD_U, and PD_D. If the divided VCO leads the divided reference in phase or frequency (f_p leads f_c), PD_D pulses “low”. If the divided reference leads the divided VCO in phase or frequency (f_c leads f_p), PD_U pulses “low”. The width of either pulse is directly proportional to phase offset between the two input signals, f_p and f_c .

For the UP and DOWN mode, PD_U and PD_D drive an active loop filter which controls the VCO tune voltage. The phase detector gain is equal to $V_{DD} / 2 \pi$.

PD_U pulses cause an increase in VCO frequency and PD_D pulses cause a decrease in VCO frequency, for a positive K_v VCO.

A lock detect output, LD is also provided, via the pin Cext. Cext is the logical “NAND” of PD_U and PD_D waveforms, which is driven through a series 2 k Ω resistor. Connecting Cext to an external shunt capacitor provides low pass filtering of this signal. Cext also drives the input of an internal inverting comparator with an open drain output. Thus LD is an “AND” function of PD_U and PD_D.

Figure 5. Typical Phase Noise

A typical phase noise plot is shown below. “Trace 1” is the smoothed average, and “Trace 2” is the raw data.

Test Conditions: A typical phase noise plot is shown below. “Trace 1” is the smoothed average, and “Trace 2” is the raw data. Test Conditions: Fout = 1.9204 GHz in MASH 1-1 mode, Fcomparison = 20 MHz, V_{DD} = 3.3 V, Temp = 25 C, Loop bandwidth = 50 kHz.

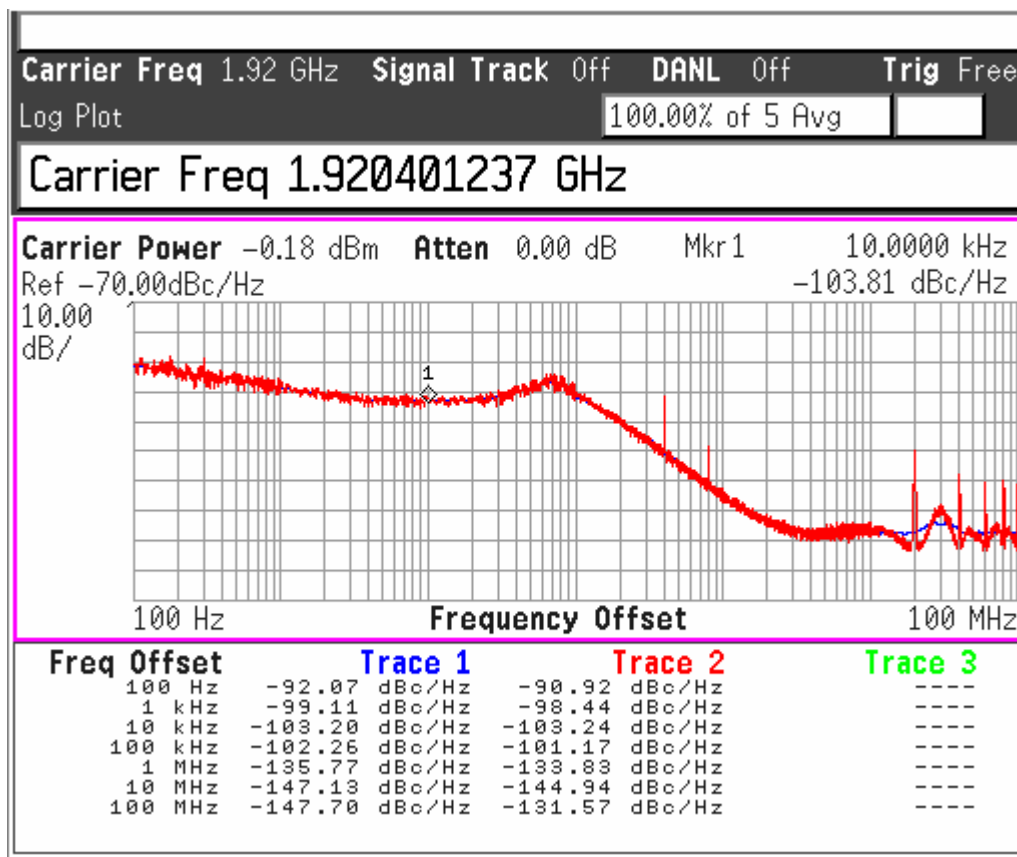


Figure 7. PE97632 Cobalt-60 Radiation Effect on Phase Noise

(Fvco = 1.92 GHz, Fcomp = 20 MHz, LBW = 100 kHz, VDD = 3.3)

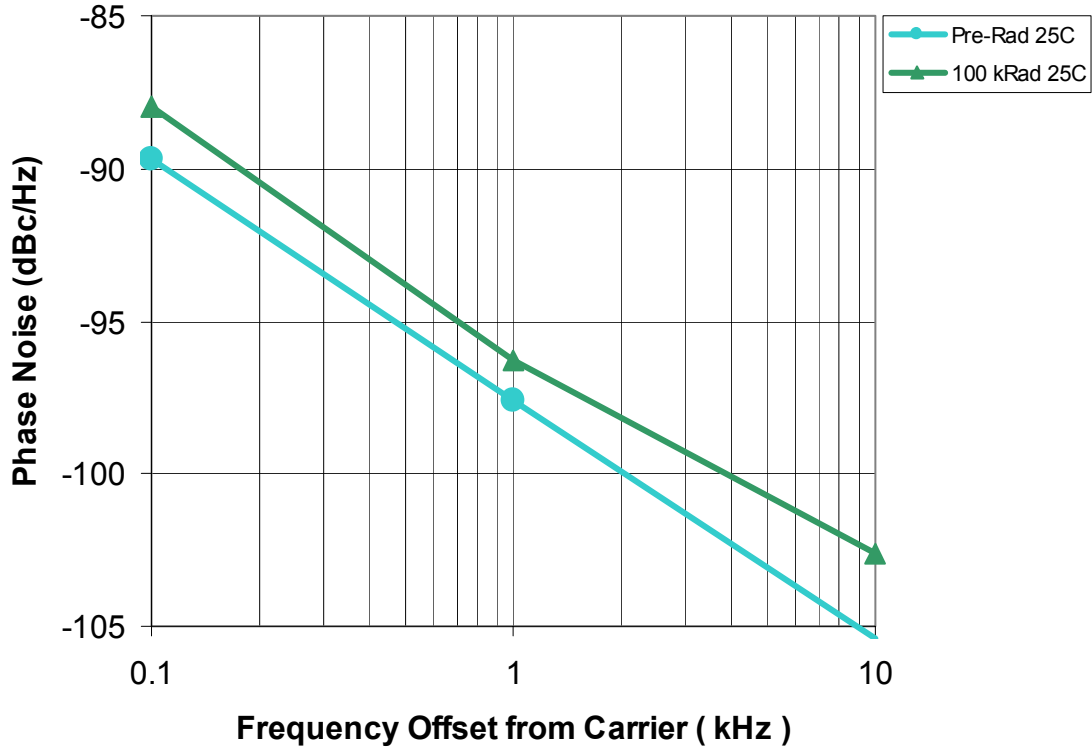
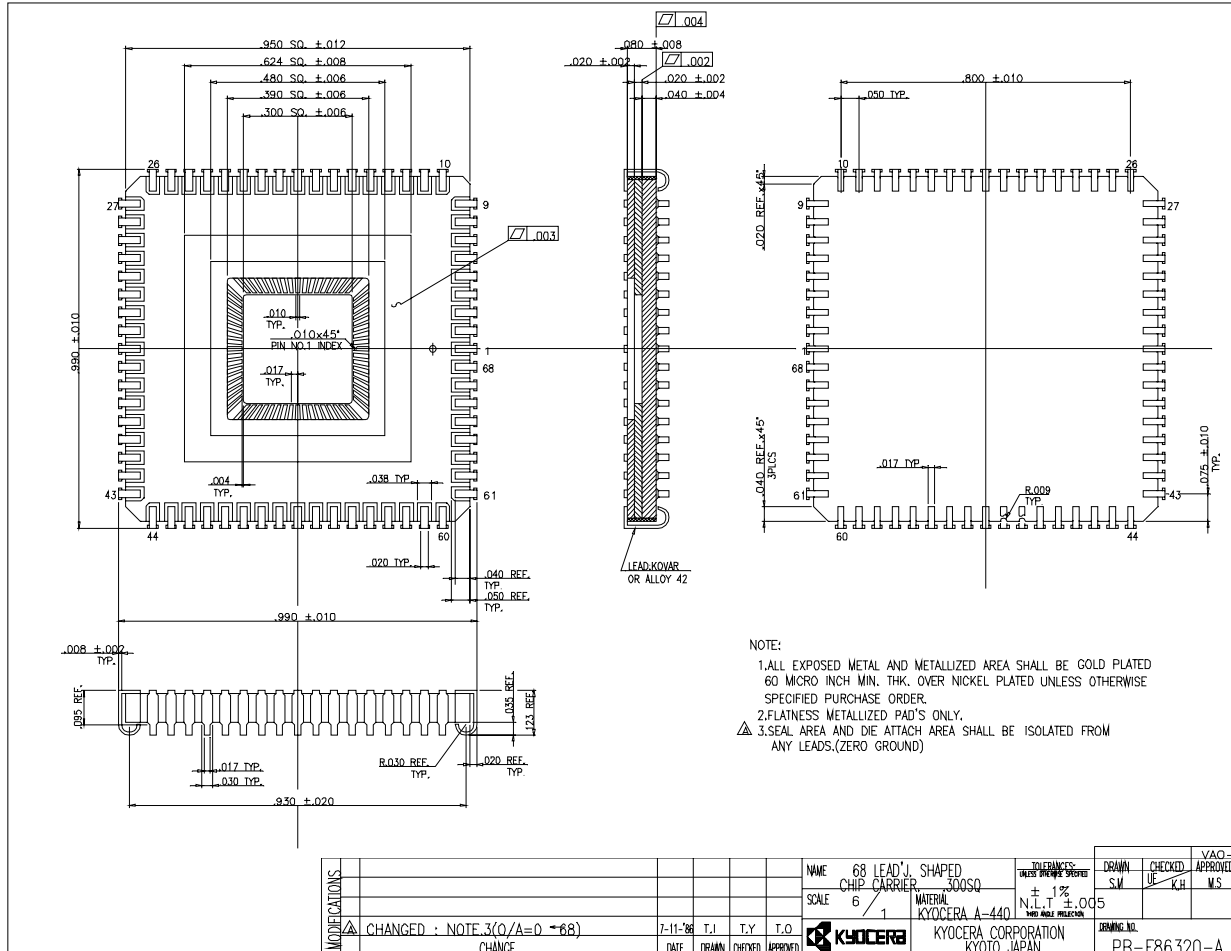


Figure 8. Package Drawing

Package dimensions: 68-lead CQFJ

SSM P/N CCJ06801



PB-44652-A MOD.



www.spectrum-semi.com Phone: 408.435.5555

Table 11. Ordering Information

Order Code	Part Marking	Description	Packaging	Shipping Method
97632-01	PE97632 ES	Engineering Samples	68-lead CQFJ	Tray
97632-11	PE97632	Flight Units	68-lead CQFJ	Tray
97632-00		Evaluation Kit		1/Box

Sales Offices

The Americas

Peregrine Semiconductor Corporation

9450 Carroll Park Drive
San Diego, CA 92121
Tel: 858-731-9400
Fax: 858-731-9499

Europe

Peregrine Semiconductor Europe

Bâtiment Maine
13-15 rue des Quatre Vents
F-92380 Garches, France
Tel: +33-1-4741-9173
Fax : +33-1-4741-9173

Space and Defense Products

Americas:

Tel: 858-731-9453

Europe, Asia Pacific:

180 Rue Jean de Guiramand
13852 Aix-En-Provence Cedex 3, France
Tel: +33-4-4239-3361
Fax: +33-4-4239-7227

North Asia Pacific

Peregrine Semiconductor K.K.

Teikoku Hotel Tower 10B-6
1-1-1 Uchisaiwai-cho, Chiyoda-ku
Tokyo 100-0011 Japan
Tel: +81-3-3502-5211
Fax: +81-3-3502-5213

Peregrine Semiconductor, Korea

#B-2402, Kolon Tripolis, #210
Geumgok-dong, Bundang-gu, Seongnam-si
Gyeonggi-do, 463-480 S. Korea
Tel: +82-31-728-4300
Fax: +82-31-728-4305

South Asia Pacific

Peregrine Semiconductor, China

Shanghai, 200040, P.R. China
Tel: +86-21-5836-8276
Fax: +86-21-5836-7652

For a list of representatives in your area, please refer to our Web site at: www.psemi.com

Data Sheet Identification

Advance Information

The product is in a formative or design stage. The data sheet contains design target specifications for product development. Specifications and features may change in any manner without notice.

Preliminary Specification

The data sheet contains preliminary data. Additional data may be added at a later date. Peregrine reserves the right to change specifications at any time without notice in order to supply the best possible product.

Product Specification

The data sheet contains final data. In the event Peregrine decides to change the specifications, Peregrine will notify customers of the intended changes by issuing a DCN (Document Change Notice).

The information in this data sheet is believed to be reliable. However, Peregrine assumes no liability for the use of this information. Use shall be entirely at the user's own risk.

No patent rights or licenses to any circuits described in this data sheet are implied or granted to any third party.

Peregrine's products are not designed or intended for use in devices or systems intended for surgical implant, or in other applications intended to support or sustain life, or in any application in which the failure of the Peregrine product could create a situation in which personal injury or death might occur. Peregrine assumes no liability for damages, including consequential or incidental damages, arising out of the use of its products in such applications.

The Peregrine name, logo, and UTSi are registered trademarks and UltraCMOS and HaRP are trademarks of Peregrine Semiconductor Corp.

SUNSTAR 商斯达实业集团是集研发、生产、工程、销售、代理经销、技术咨询、信息服务等为一体的高科技企业，是专业高科技电子产品生产厂家，是具有 10 多年历史的专业电子元器件供应商，是中国最早和最大的仓储式连锁规模经营大型综合电子零部件代理分销商之一，是一家专业代理和分销世界各大品牌 IC 芯片和电子元器件的连锁经营综合性国际公司，专业经营进口、国产名厂名牌电子元件，型号、种类齐全。在香港、北京、深圳、上海、西安、成都等全国主要电子市场设有直属分公司和产品展示展销窗口门市部专卖店及代理分销商，已在全国范围内建成强大统一的供货和代理分销网络。我们专业代理经销、开发生产电子元器件、集成电路、传感器、微波光电元器件、工控机/DOC/DOM 电子盘、专用电路、单片机开发、MCU/DSP/ARM/FPGA 软件硬件、二极管、三极管、模块等，是您可靠的一站式现货配套供应商、方案提供商、部件功能模块开发配套商。商斯达实业公司拥有庞大的资料库，有数位毕业于著名高校——有中国电子工业摇篮之称的西安电子科技大学（西军电）并长期从事国防尖端科技研究的高级工程师为您精挑细选、量身订做各种高科技电子元器件，并解决各种技术问题。

微波光电部专业代理经销高频、微波、光纤、光电元器件、组件、部件、模块、整机；电磁兼容元器件、材料、设备；微波 CAD、EDA 软件、开发测试仿真工具；微波、光纤仪器仪表。欢迎国外高科技微波、光纤厂商将优秀产品介绍到中国、共同开拓市场。长期大量现货专业批发高频、微波、卫星、光纤、电视、CATV 器件：晶振、VCO、连接器、PIN 开关、变容二极管、开关二极管、低噪晶体管、功率电阻及电容、放大器、功率管、MMIC、混频器、耦合器、功分器、振荡器、合成器、衰减器、滤波器、隔离器、环行器、移相器、调制解调器；光电子器件和组件：红外发射管、红外接收管、光电开关、光敏管、发光二极管和发光二极管组件、半导体激光二极管和激光器组件、光电探测器和光接收组件、光发射接收模块、光纤激光器和光放大器、光调制器、光开关、DWDM 用光发射和接收器件、用户接入系统光收发器件与模块、光纤连接器、光纤跳线/尾纤、光衰减器、光纤适配器、光隔离器、光耦合器、光环行器、光复用器/转换器；无线收发芯片和模组、蓝牙芯片和模组。

更多产品请看本公司产品专用销售网站：

商斯达微波光电产品网：[HTTP://www.rfoe.net/](http://www.rfoe.net/)

商斯达中国传感器科技信息网：<http://www.sensor-ic.com/>

商斯达工控安防网：<http://www.pc-ps.net/>

商斯达电子元器件网：<http://www.sunstare.com/>

商斯达消费电子产品网：<http://www.icasic.com/>

商斯达实业科技产品网：<http://www.sunstars.cn/> 射频微波光电元器件销售热线：

地址：深圳市福田区福华路福庆街鸿图大厦 1602 室

电话：0755-83396822 83397033 83398585 82884100

传真：0755-83376182 (0) 13823648918 MSN: SUNS8888@hotmail.com

邮编：518033 E-mail:szss20@163.com QQ: 195847376

深圳赛格展销部：深圳华强北路赛格电子市场 2583 号 电话：0755-83665529 25059422

技术支持：0755-83394033 13501568376

欢迎索取免费详细资料、设计指南和光盘；产品凡多，未能尽录，欢迎来电查询。

北京分公司：北京海淀区知春路 132 号中发电子大厦 3097 号

TEL: 010-81159046 82615020 13501189838 FAX: 010-62543996

上海分公司：上海市北京东路 668 号上海赛格电子市场 D125 号

TEL: 021-28311762 56703037 13701955389 FAX: 021-56703037

西安分公司：西安高新开发区 20 所(中国电子科技集团导航技术研究所)

西安劳动南路 88 号电子商城二楼 D23 号

TEL: 029-81022619 13072977981 FAX:029-88789382