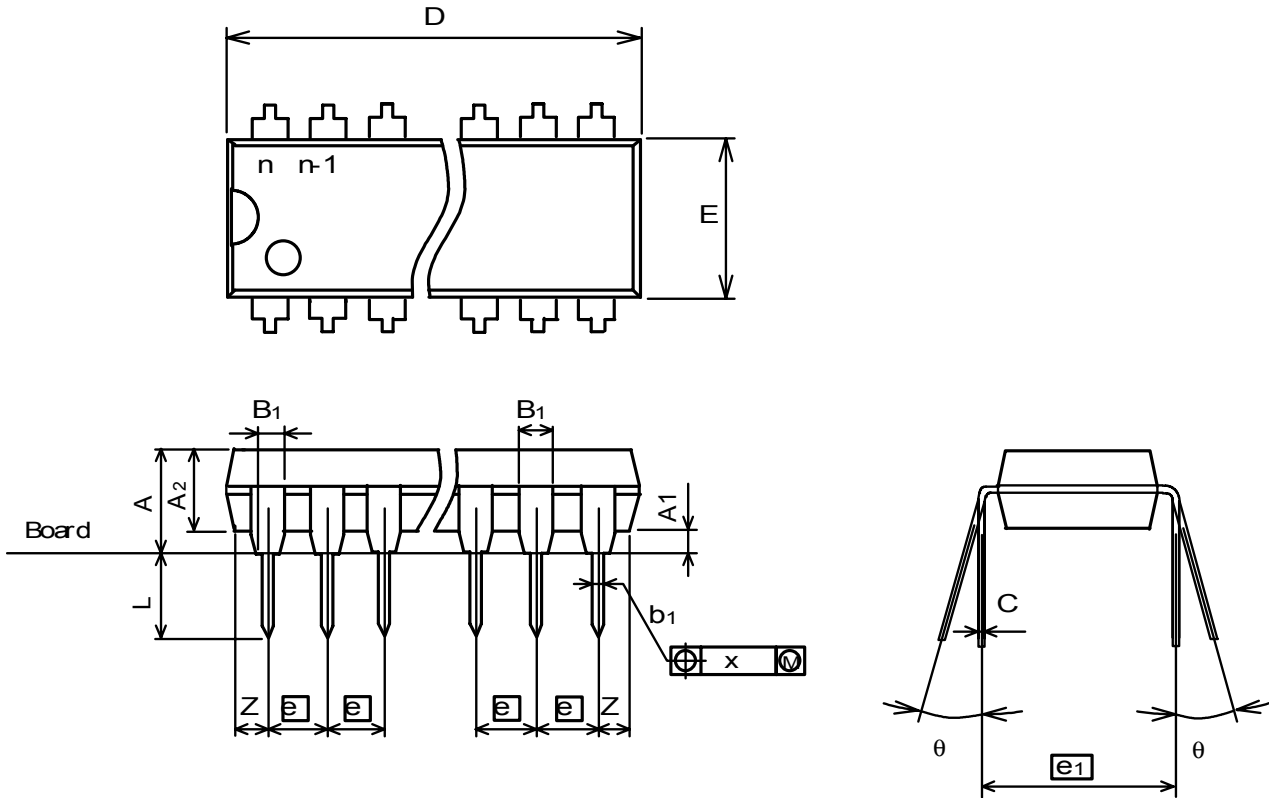


The typical symbols using in our package outline dimensions are as follows.
 For further information, please contact to our sales offices.

< Lead Insertion Type >

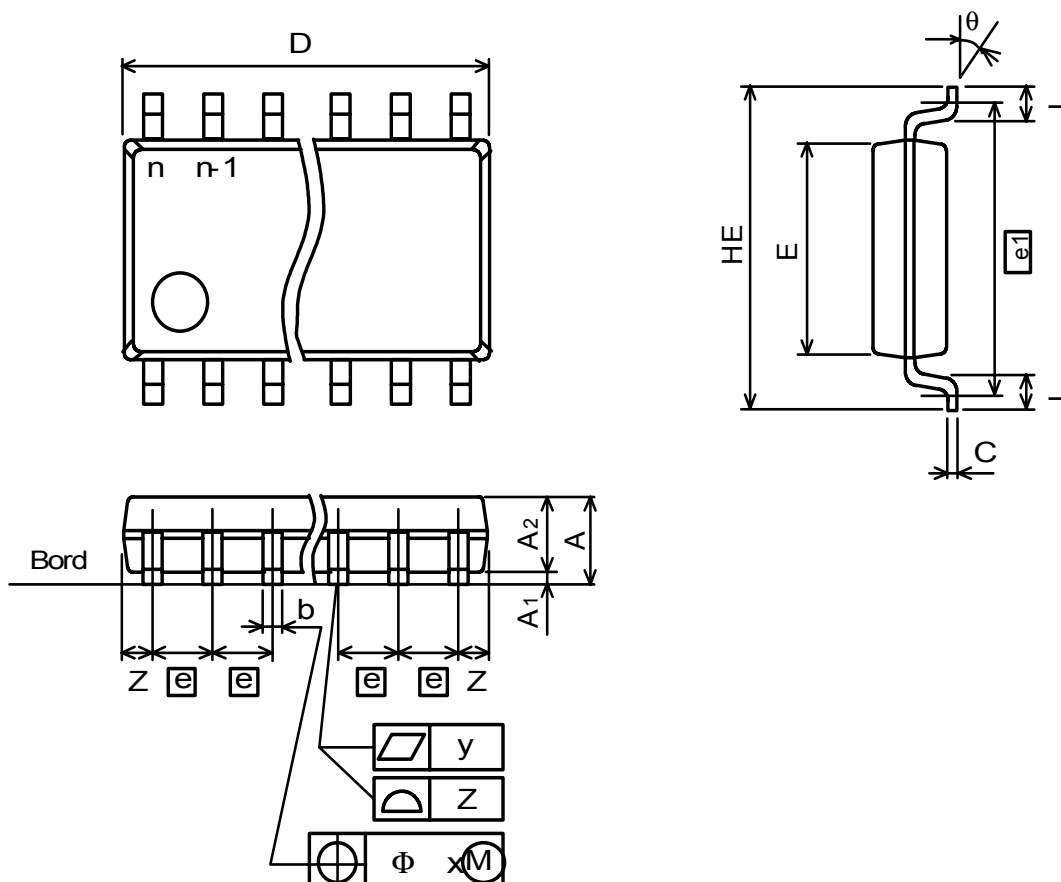


Symbol	Remarks
A	Board to package top height
A1	Stand off
A2	Package thickness
b1	Lead width
B1	Maximum lead width
C	Lead thickness
D	Package Length
E	Package width

Symbol	Remarks
\boxed{e}	Lead pitch
$\boxed{e1}$	Lead to lead width
θ	Lead angle
Z	Over hang
\oplus	Lead center accuracy
\textcircled{M}	Permissible range

TYPICAL SYMBOLS IN PACKAGE OUTLINE DIMENSIONS

< Surface mount type >



Symbol	Remarks
A	Board to package top height
A1	Stand off
A2	Package height
b1	Lead width
C	Lead thickness
D	Package length
E	Package width
e	Lead pitch
$e1$	Low space

Symbol	Remarks
θ	lead flat angle
Z	over hang
\parallel	lead planarity
\cap	lead out-line accuracy
\oplus	Lead center accuracy
\textcircled{M}	Permissible range