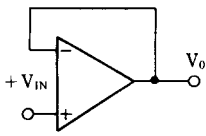
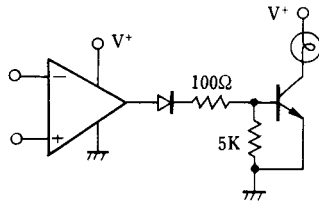


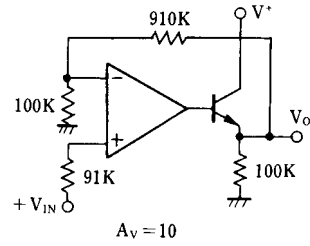
Voltage Follower



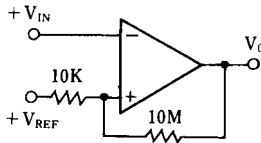
Lamp Driver



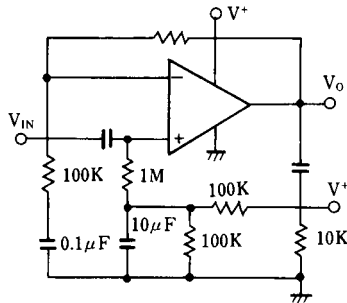
Power Amplifier



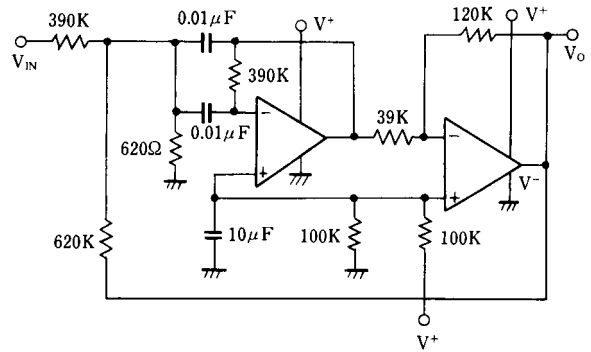
Comparator with Hysteresis



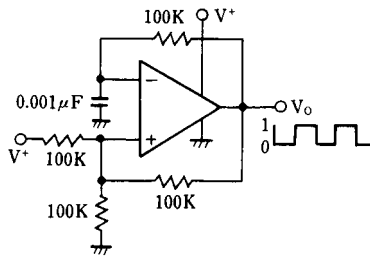
Non-Inverting Amplifier (AC-Couple)



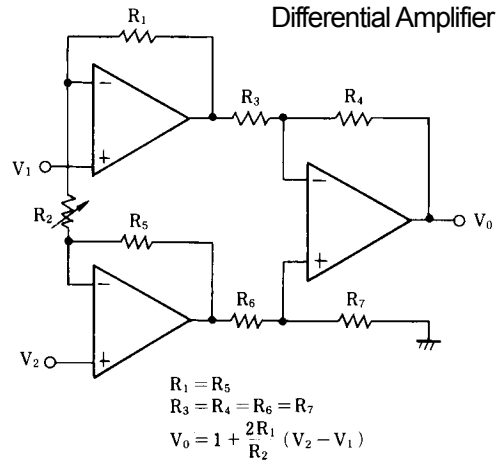
1KHz Band Pass Active Filter



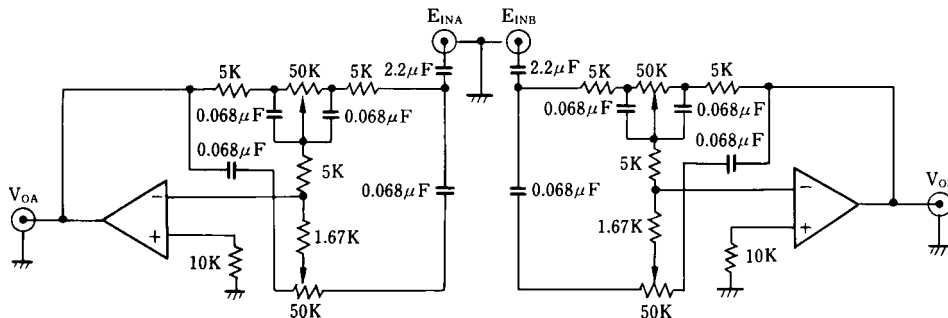
Square Wave Generator



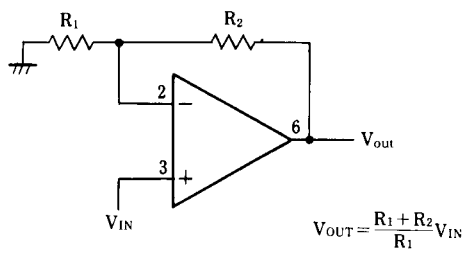
Differential Amplifier



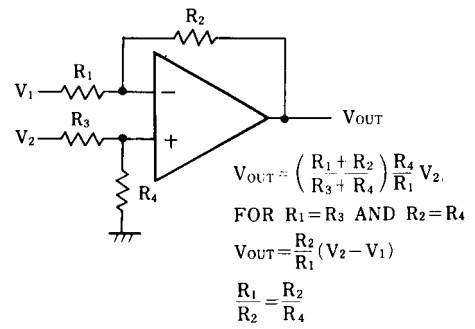
Stereo Tone Control



OP AMP. APPLICATION CIRCUIT

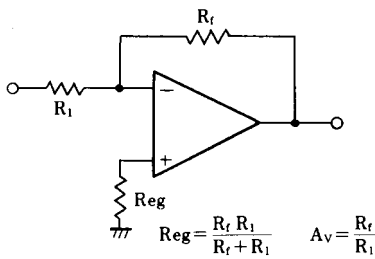


Non-Inverting Amplifier

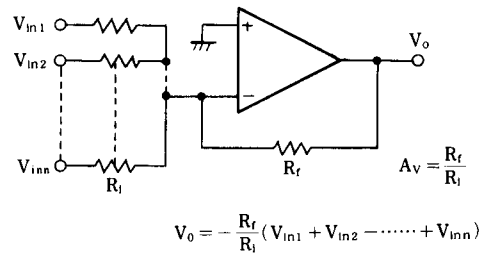


Differential Amplifier

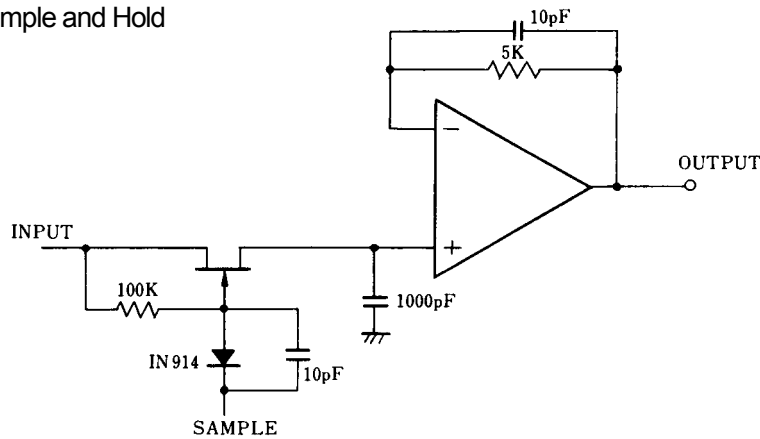
Inverting Amplifier



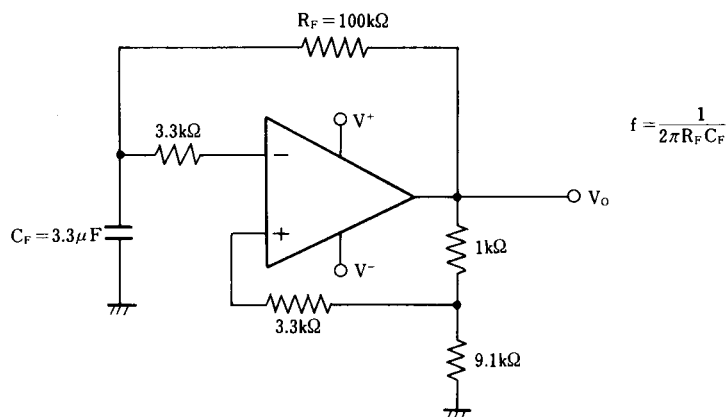
Inverting Summing Amplifier



Sample and Hold

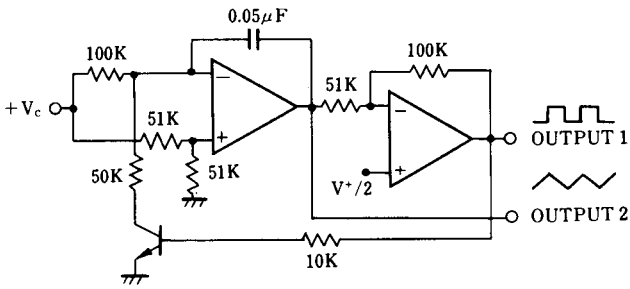


0.5Hz Square Wave Oscillator

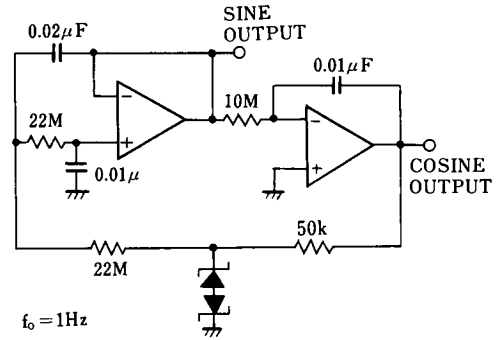


OP AMP. APPLICATION CIRCUIT

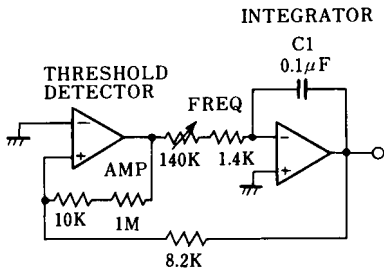
Voltage Control Oscillator (VCO)



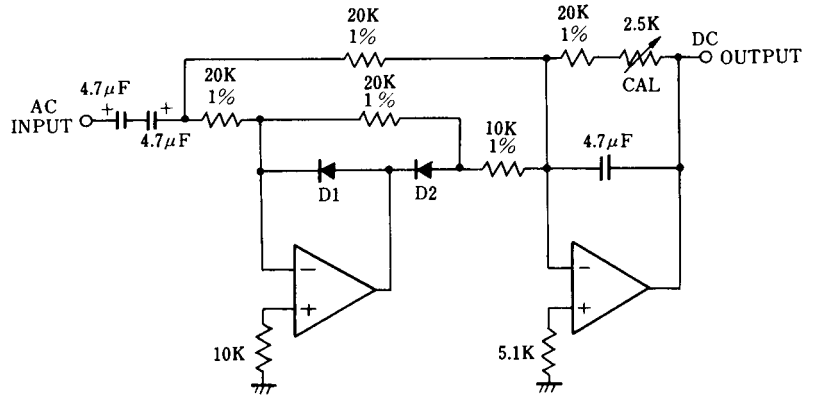
Low Frequency Sine Wave Oscillator



Triangle Wave Oscillator

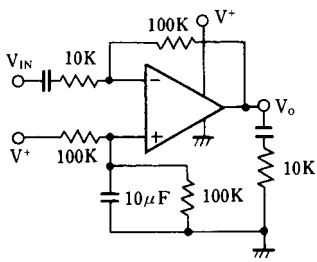


Full Wave Rectifier and Average Filter



OP AMP. APPLICATION CIRCUIT

Inverting Amplifier (AC-Couple)



1kHz Low Pass Active Filter

