

VOLTAGE TRIPLER

■ GENERAL DESCRIPTION

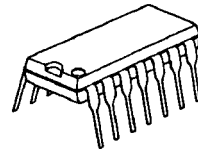
The **NJU7670** is a voltage tripler incorporated CR oscillator, voltage converter, reference voltage circuit and voltage regulator.

It can generate triple or double negative voltage of an operating voltage ranging from -2.6V to -6V.

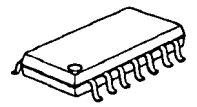
The application circuit of tripler requires three capacitors, and doubler requires only two capacitors.

Furthermore, any kind of output voltage is available by the internal voltage regulator.

■ PACKAGE OUTLINE



NJU7670D



NJU7670M

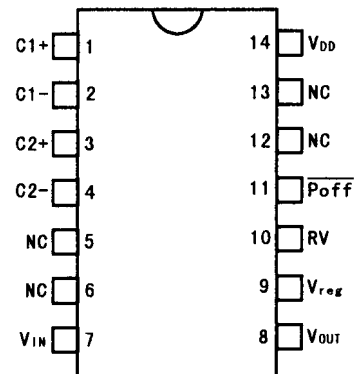


NJU7670V

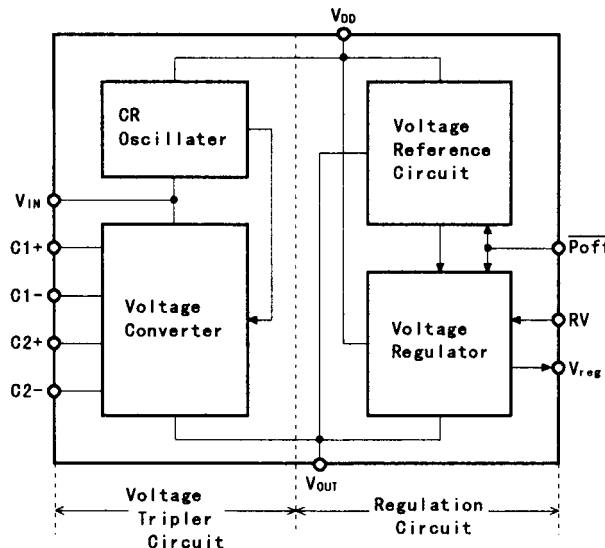
■ FEATURES

- Triple / Double Voltage Output
- Operating Voltage — -2.6V to -6.0V
- High-efficiency Voltage Conversion Rate — 95% ($I_{OUT} = 5mA$)
- High Output Current — MAX 20mA ($V_{IN} = -5V$)
- CR Oscillator ON-Chip
- Output - OFF Function By External Signal — ON / OFF of V_{reg}
- C-MOS Technology
- Package Outline — DIP/DMP/SSOP 14

■ PIN CONFIGURATION



■ BLOCK DIAGRAM



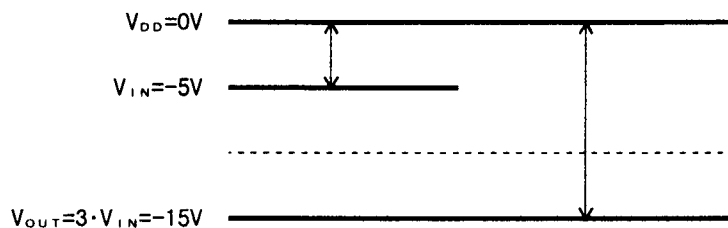
■ TERMINAL DESCRIPTION

No.	SYMBOL	FUNCTION
1	C1+	Charge Pump Capacitor 1(+) Connecting Terminal
2	C1-	Charge Pump Capacitor 1(-) Connecting Terminal
3	C2+	Charge Pump Capacitor 2(+) Connecting Terminal
4	C2-	Charge Pump Capacitor 2(-) Connecting Terminal
5	NC	Non Connection
6	NC	Non Connection
7	V_{IN}	Power Supply Terminal (-)
8	V_{OUT}	Voltage Output Terminal
9	V_{reg}	Voltage Regulator Output Terminal
10	RV	Voltage Regulator Adjustment Terminal
11	\overline{Poff}	V_{reg} Output ON/OFF Control Terminal
12	NC	Non Connection
13	NC	Non Connection
14	V_{DD}	Power Supply Terminal (+)

■ FUNCTIONAL DESCRIPTION

(1) Voltage Converter

The voltage converter generates double or triple voltage against V_{IN} .



(2) Voltage Reference Circuit

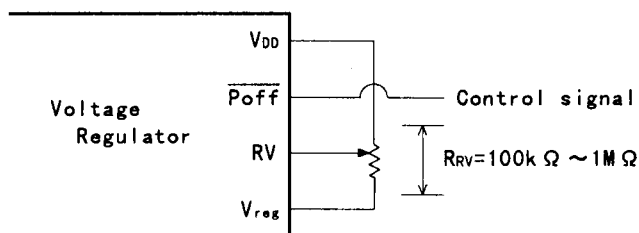
The voltage reference circuit is generating the reference voltage for a voltage regulator.

(3) Voltage Regulator

The voltage regulator output stabilized voltage which regulated by using the external resistor against double or triple voltage of the input voltage.

(3-1) Output-OFF Function

As this circuit incorporated output-off function, the voltage regulator output (ON/OFF) is performed by the signal come from system.



● ON/OFF Control for Vreg Terminal

\overline{Poff} Level	Vreg Output
"H" (Connect to V_{DD})	ON
"L" (Connect to V_{IN})	OFF

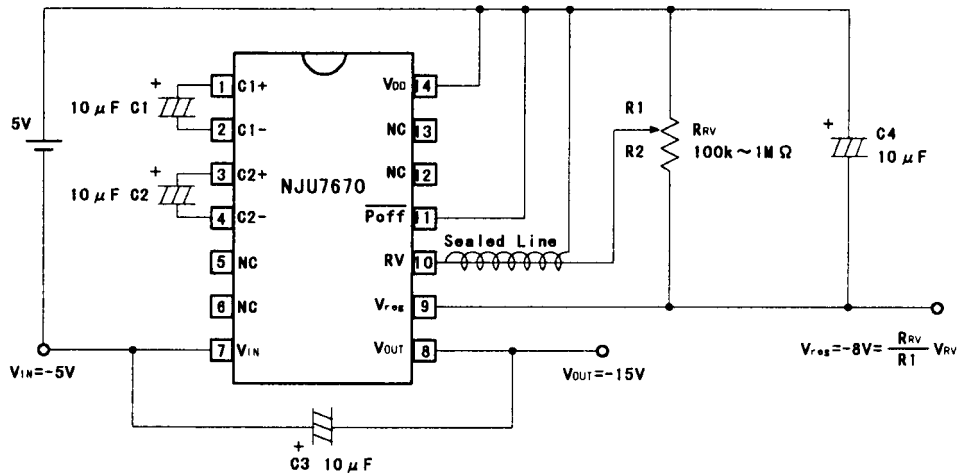
(3-2) Example of the Voltage Regulation

The voltage regulator has a output terminal which can be adjusted the output voltage to any kind of voltage by resistance R_{RV} .

As the RV terminal input impedance is high. Therefore special care against noise is required.

(Use a sealed line or others noise-proof method)

Tripler Operation + Voltage Regulator Operation



NJU7670

■ ABSOLUTE MAXIMUM RATINGS

(T_a = 25°C)

PARAMETER	SYMBOL	RATINGS	UNIT
Supply Voltage	V _{IN}	$ V_{DD} - V_{OUT} \leq 20$	V
Input Voltage	V _{I1}	V _{IN} -0.5 to + 0.5 Note 1)	V
	V _{I2}	V _{OUT} -0.5 to + 0.5 Note 2)	
Output Voltage	V _{OUT}	-20.0	V
Power Dissipation	P _D	700 (DIP) 300 (DMP) 250 (SSOP)	mW
Operating Temperature Range	T _{opr}	-20 to +75	°C
Storage Temperature Range	T _{stg}	-40 to +125	°C

Note1) Apply to P_{OFF} terminal

Note2) Apply to RV terminal

■ ELECTRICAL CHARACTERISTIC

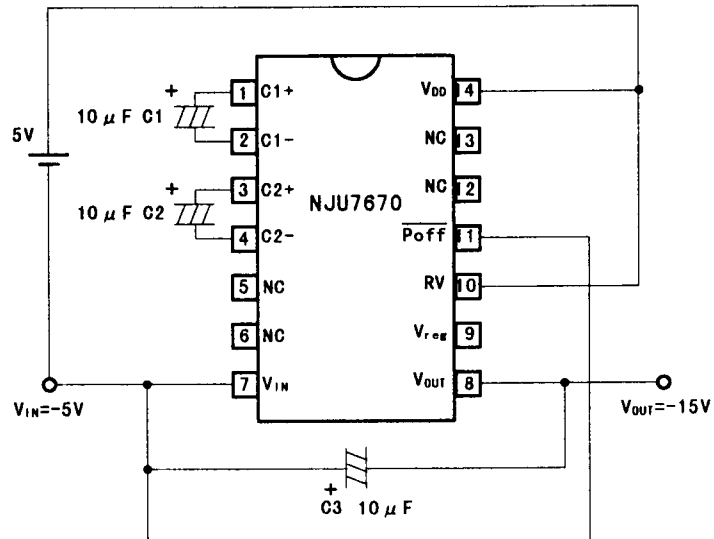
(V_{DD} = 0V, V_{IN} = -5V, T_a = 25°C)

PARAMETER	SYMBOL	CONDITIONS	MIN.	TYP.	MAX.	UNIT
Supply Voltage	V _{IN}		-6.0	-	-2.6	V
Output Voltage	V _{OUT}		-18.0	-	-	V
	V _{reg}	RL = ∞, R _{RV} = 1MΩ, V _{OUT} = -18V	-18.0	-	-2.6	V
Regulator Operating Voltage	V _{OUT}		-18.0	-	-8.0	V
Current Consumption 1	I _{DD1}	P _{off} = "H" Note 3) RL = ∞, R _{RV} = 1MΩ, V _{reg} = -2.6V	-	75	120	μA
Current Consumption 2	I _{DD2}	P _{off} = "L" Note 3) RL = ∞, R _{RV} = 1MΩ	-	60	100	μA
Output Impedance	R _{OUT}	I _{OUT} = 20mA, C1 = C2 = C3 = 10μF	-	150	200	Ω
Power Conversion Rate	P _{eff}	I _{OUT} = 5mA, C1 = C2 = C3 = 10μF	90	95	-	%
Line Regulation	$\frac{\Delta V_{reg}}{\Delta V_{OUT} \cdot V_{reg}}$	-18V < V _{OUT} < -8V V _{reg} = -8V, RL = ∞	-	0.2	-	%/V
Load Conversion	$\frac{\Delta V_{reg}}{\Delta I_{reg}}$	V _{OUT} = -15V, V _{reg} = -8V 0 < I _{reg} < 20mA	-	5.0	-	Ω
Output Saturation Resistance	R _{SAT}	R _{SAT} = Δ(V _{reg} - V _{OUT}) / ΔI _{reg} 0 < I _{reg} < 20mA, RV = V _{DD}	-	8.0	-	Ω
Reference Voltage	V _{RV}		-2.3	-1.5	-1.0	V
Input Current 1	I _{IN1}	RV Terminal	-	-	1.0	μA
Input Current 2	I _{IN2}	P _{off} Terminal	-	-	2.0	μA
Switching Frequency	f _{SW}		-	2.5	-	kHz

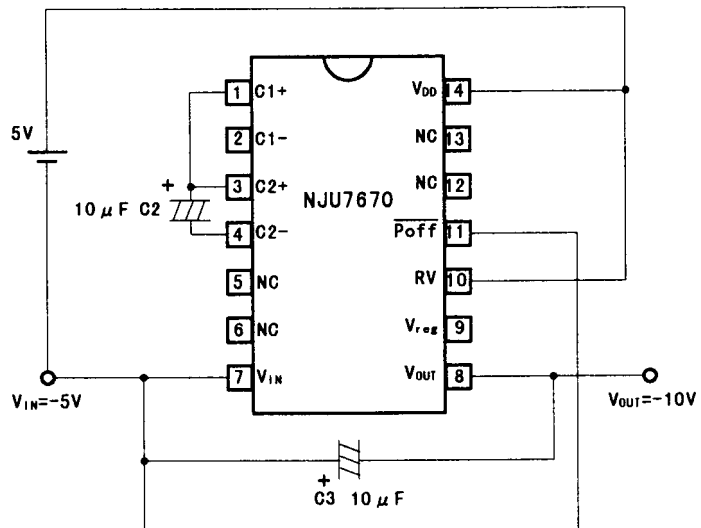
Note 3) Excluding input current on R_{RV}.

■ APPLICATION CIRCUITS (1)

(1-1) Tripler Operation



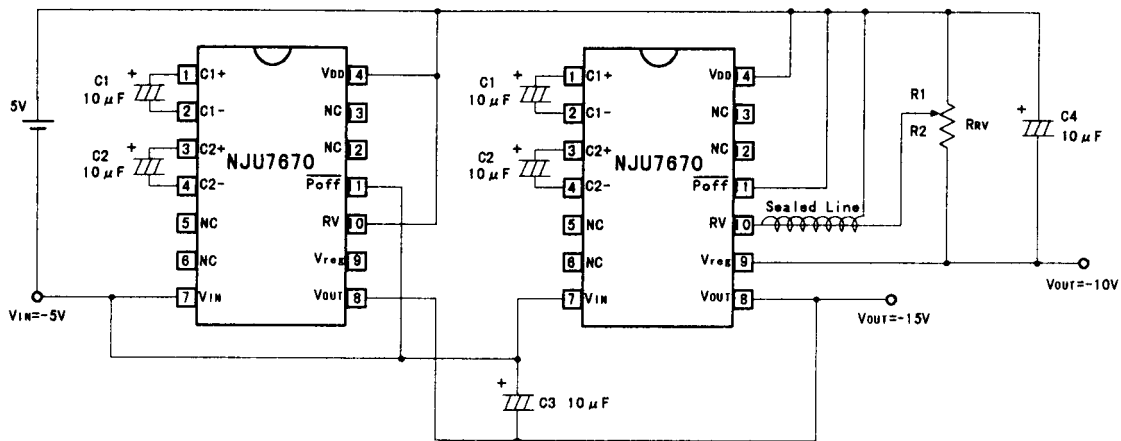
(1-2) Doubler Operation



NJU7670

APPLICATION CIRCUIT (2)

(2) Parallel Connection



- * The output impedance R_{OUT} can be reduced by parallel connection.
- * C3 is a stabilizing capacitor output for stabilized voltage.
- * In the parallel connection, one stabilizing capacitor using is better way.

[CAUTION]
 The specifications on this databook are only given for information, without any guarantee as regards either mistakes or omissions. The application circuits in this databook are described only to show representative usages of the product and not intended for the guarantee or permission of any right including the industrial rights.