

Ultra Low Noise Low Dropout Voltage Regulator

■ GENERAL DESCRIPTION

The NJM2863/64 is a 2ch low dropout voltage regulator designed for VCO Applications.

Advanced Bipolar technology achieves low noise, high ripple rejection and low quiescent current.

■ PACKAGE OUTLINE

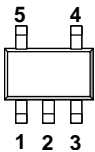


NJM2863F/64F

■ FEATURES

- High Ripple Rejection 75dB typ. (f=1kHz)
- Output capacitor with 1.0 μ F ceramic capacitor
- Output Noise Voltage $V_{no}=19\mu V_{rms}$ typ. ($C_p=0.01\mu F$, $C_o=1.0\mu F$ (Ceramic))
 $V_{no}=12\mu V_{rms}$ typ. ($C_p=0.1\mu F$, $C_o=10\mu F$ (Tantalum))
- Output Current $I_o(max.)=100mA$
- High Precision Output $V_o\pm 1.0\%$
- Low Dropout Voltage 0.10V typ. ($I_o=60mA$)
- ON/OFF Control (Active High)
- Internal Short Circuit Current Limit
- Internal Thermal Overload Protection
- Bipolar Technology
- Package Outline MTP5

■ PIN CONFIGURATION



PIN FUNCTION

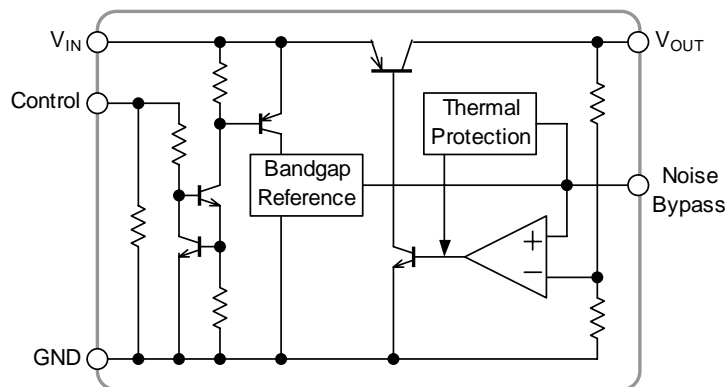
- 1.CONTROL
- 2.GND
- 3.NOISE BYPASS
- 4.V_{OUT}
- 5.V_{IN}

NJM2863F

- 1.V_{IN}
- 2.GND
- 3.CONTROL
- 4.NOISE BYPASS
- 5.V_{OUT}

NJM2864F

■ EQUIVALENT CIRCUIT



■ OUTPUT VOLTAGE RANK LIST

Device Name	V _{OUT}	Device Name	V _{OUT}
NJM286×F21	2.1V	NJM286×F29	2.9V
NJM286×F25	2.5V	NJM286×F03	3.0V
NJM286×F27	2.7V	NJM286×F33	3.3V
NJM286×F28	2.8V	NJM286×F05	5.0V
NJM286×F285	2.85V		

NJM2863/64

■ ABSOLUTE MAXIMUM RATINGS (Ta=25°C)

PARAMETER	SYMBOL	RATINGS	UNIT
Input Voltage	V _{IN}	+14	V
Control Voltage	V _{CONT}	+14(*note 1)	V
Power Dissipation	P _D	200	mW
Operating Temperature	Topr	-40 ~ +85	°C
Storage Temperature	Tstg	-40 ~ +125	°C

(*note 1): When input voltage is less than +14V, the absolute maximum control voltage is equal to the input voltage.

■ ELECTRICAL CHARACTERISTICS

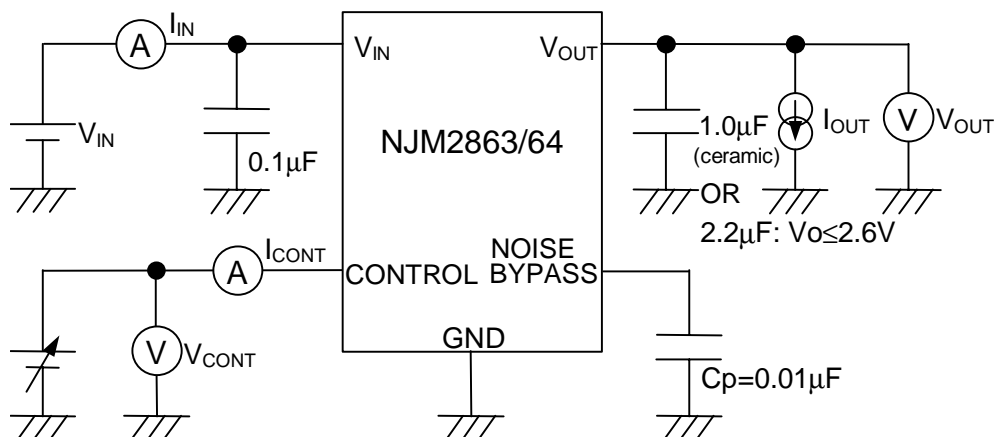
(V_{IN}=V_O+1V, C_{IN}=0.1μF, C_O=1.0μF: V_O≥2.7V (C_O=2.2μF: V_O≤2.6V), C_p=0.01μF, Ta=25°C)

PARAMETER	SYMBOL	TEST CONDITION	MIN.	TYP.	MAX.	UNIT
Output Voltage	V _O	I _O =30mA	-1.0%	—	+1.0%	V
Quiescent Current	I _Q	I _O =0mA, except I _{CONT}	—	120	180	μA
Quiescent Current at Control OFF	I _{Q(OFF)}	V _{CONT} =0V	—	—	100	nA
Output Current	I _O	V _O =0.3V	100	130	—	mA
Line Regulation	ΔV _O /ΔV _{IN}	V _{IN} =V _O +1V ~ V _O +6V, I _O =30mA	—	—	0.10	%/V
Load Regulation	ΔV _O /ΔI _O	I _O =0 ~ 100mA	—	—	0.03	%/mA
Dropout Voltage	ΔV _{L-O}	I _O =60mA	—	0.10	0.18	V
Ripple Rejection	RR	e _{in} =200mVrms, f=1kHz, I _O =10mA, V _O =3V Version	—	75	—	dB
Average Temperature Coefficient of Output Voltage	ΔV _O /ΔTa	Ta=0-85°C, I _O =10mA	—	± 50	—	ppm/°C
Output Noise Voltage1	V _{NO1}	f=10Hz-80kHz, I _O =10mA, C _p =0.01μF, C _O =1.0μF (Ceramic), V _O =3V Version	—	19	—	μVrms
Output Noise Voltage2	V _{NO2}	f=10Hz-80kHz, I _O =10mA, C _p =0.1μF, C _O =10μF (Tantalum), V _O =3V Version	—	12	—	μVrms
Control Voltage for ON-state	V _{CONT(ON)}		1.6	—	—	V
Control Voltage for OFF-state	V _{CONT(OFF)}		—	—	0.6	V

(*note 2): The above specification is a common specification for all output voltages.

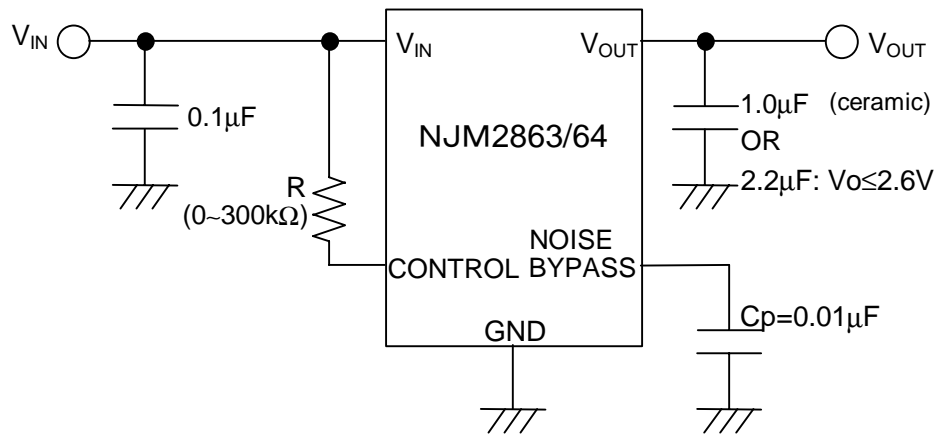
Therefore, it may be different from the individual specification for a specific output voltage.

■ TEST CIRCUIT



■ TYPICAL APPLICATION

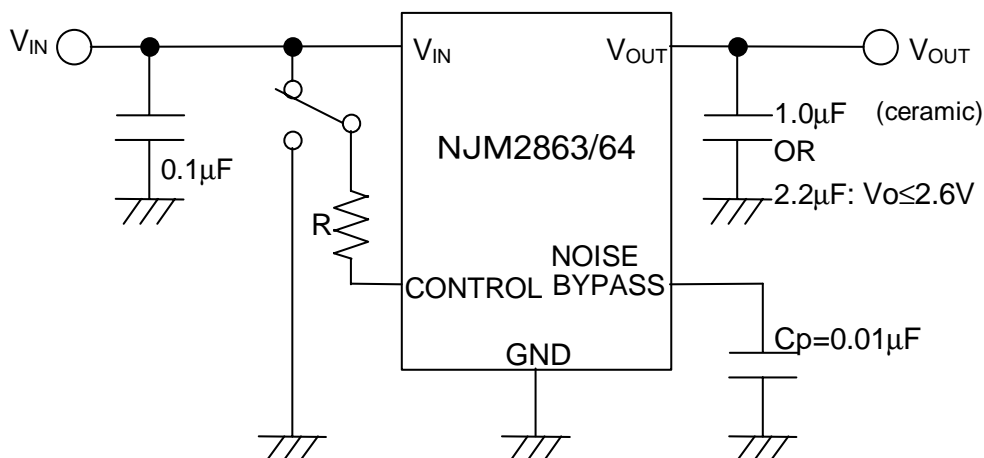
① In the case where ON/OFF Control is not required:



Connect control terminal to V_{IN} terminal

The quiescent current can be reduced by using a resistance "R". Instead, it increases the minimum operating voltage. For further information, please refer to Figure "Output Voltage vs. Control Voltage".

② In use of ON/OFF CONTROL:



State of control terminal:

- "H" → output is enabled.
- "L" or "open" → output is disabled.

*Noise bypass Capacitance C_p

Noise bypass capacitance C_p reduces noise generated by band-gap reference circuit.

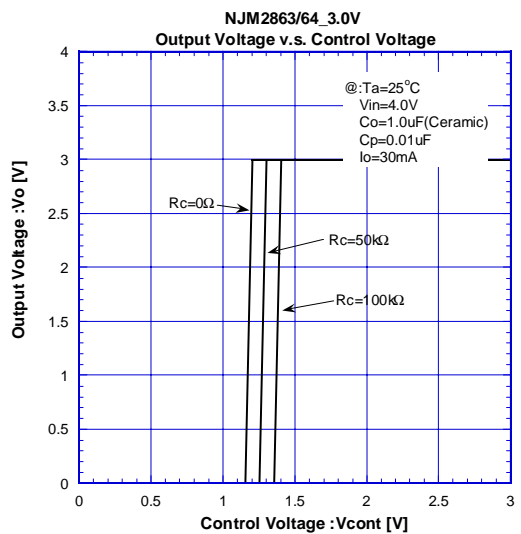
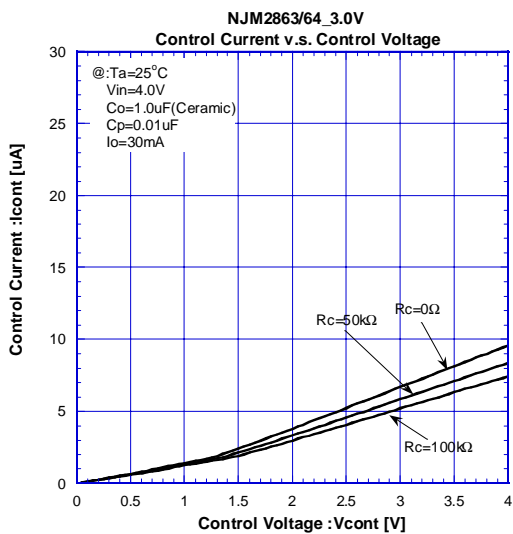
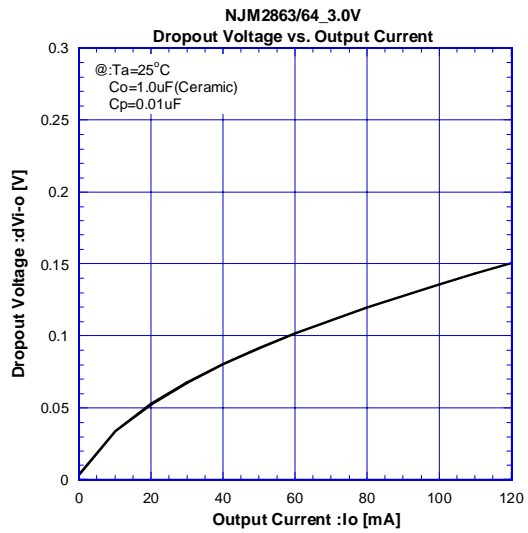
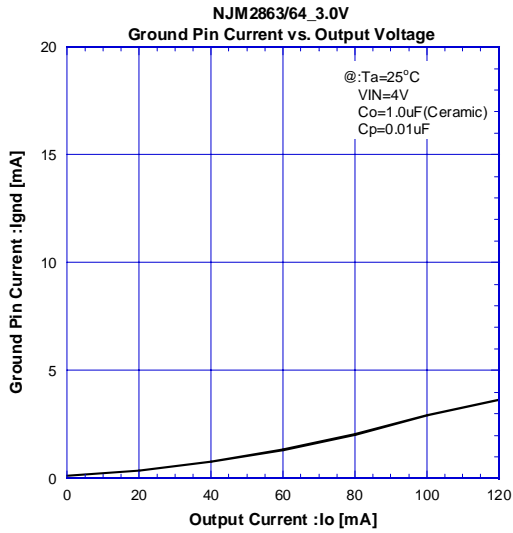
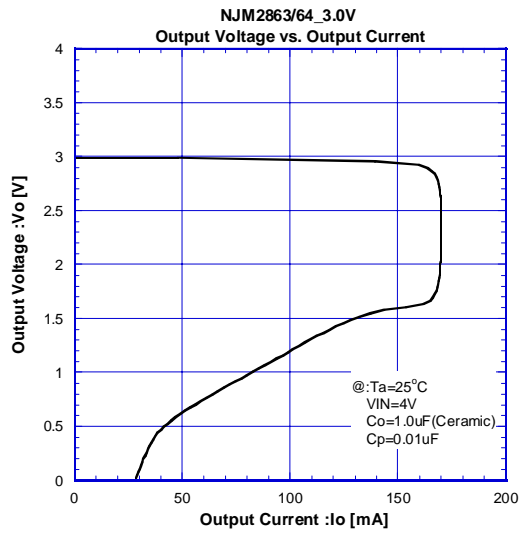
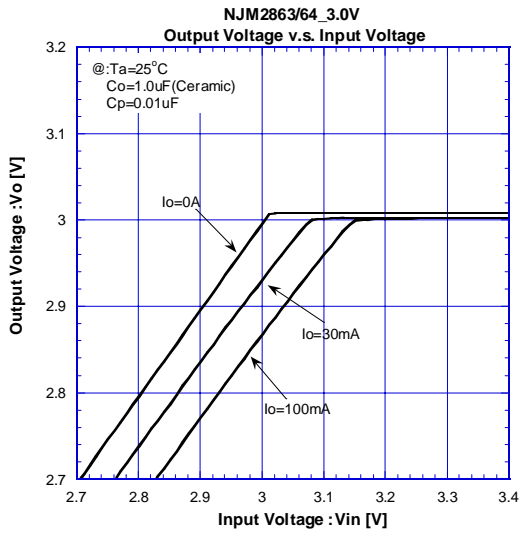
Noise level and ripple rejection will be improved when larger C_p is used.

Use of smaller C_p value may cause oscillation.

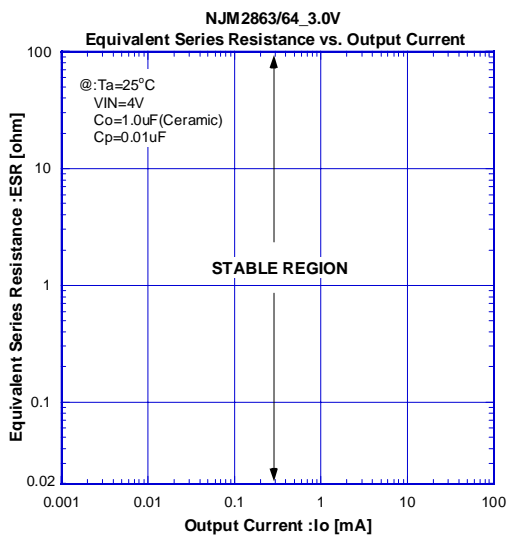
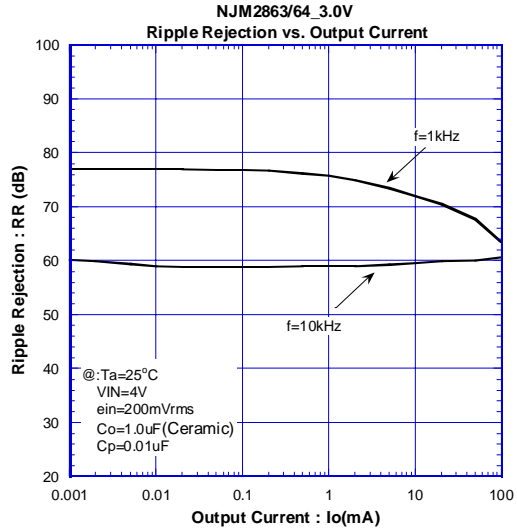
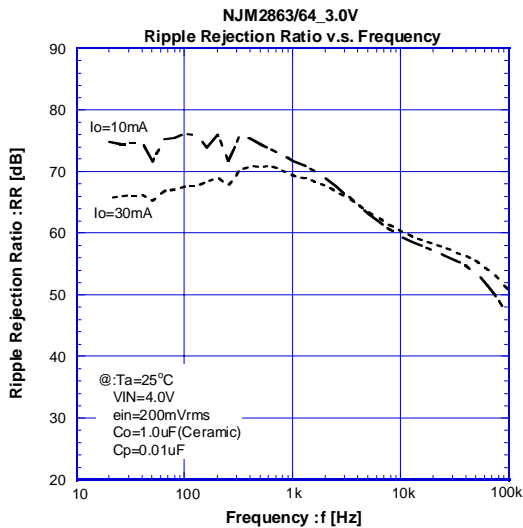
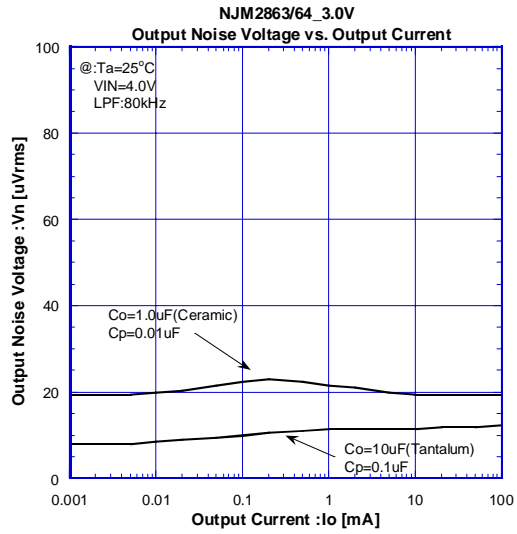
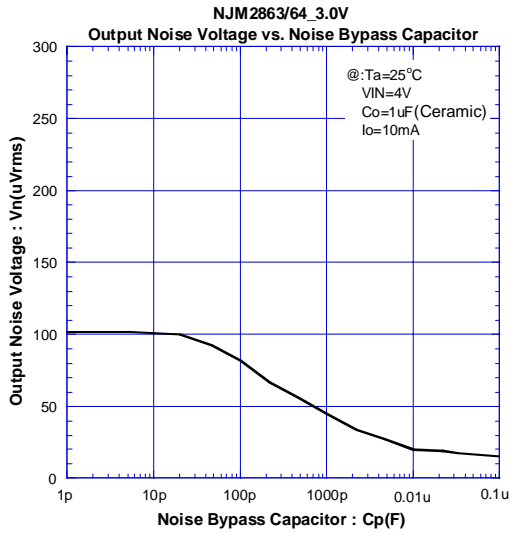
Use the C_p value of $0.01\mu\text{F}$ greater to avoid the problem.

NJM2863/64

ELECTRICAL CHARACTERISTICS

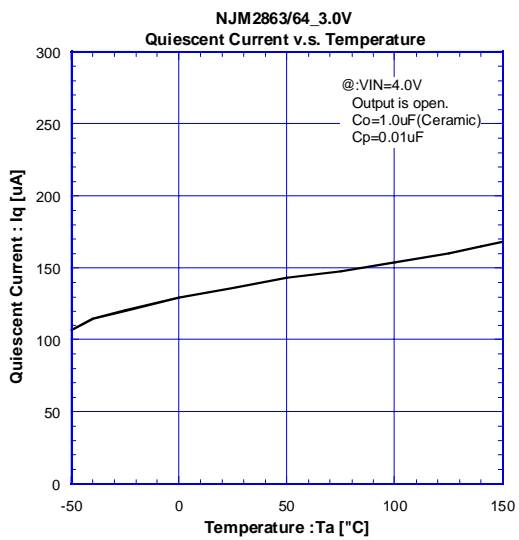
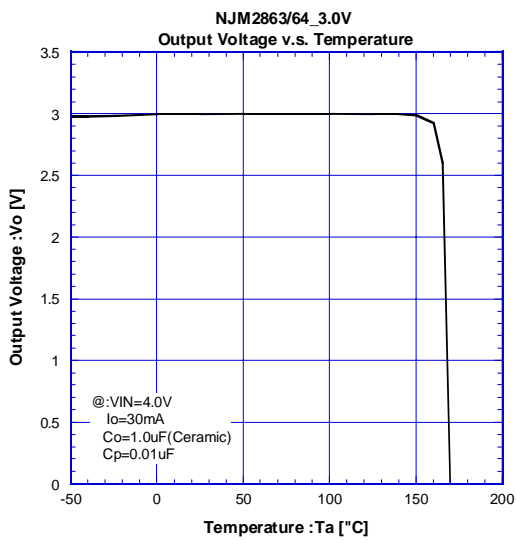
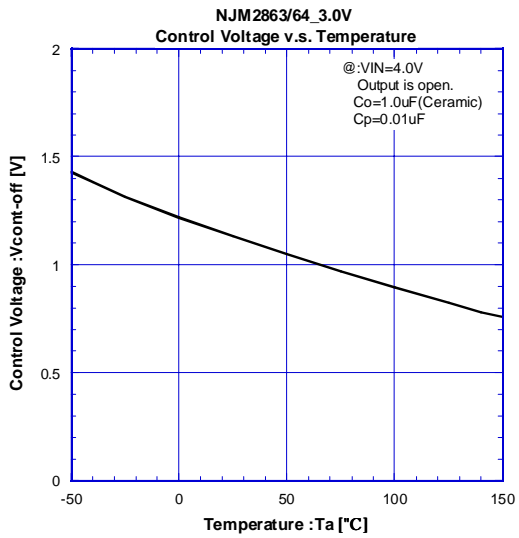
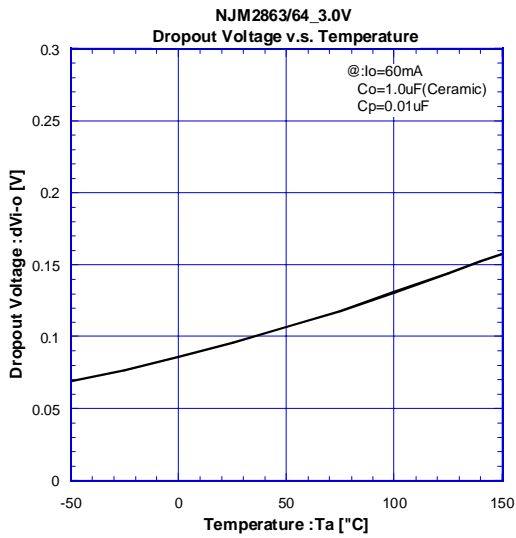


ELECTRICAL CHARACTERISTICS



NJM2863/64

■ ELECTRICAL CHARACTERISTICS



[CAUTION]

The specifications on this databook are only given for information, without any guarantee as regards either mistakes or omissions. The application circuits in this databook are described only to show representative usages of the product and not intended for the guarantee or permission of any right including the industrial rights.