

LOW DROPOUT VOLTAGE REGULATOR

■ GENERAL DESCRIPTION

The NJM2865 is a low dropout voltage regulator with ON/OFF control.

Advanced Bipolar technology achieves low noise, high ripple rejection and low quiescent current.

It is suitable for cellular phone, camcorder, IC decoder, camera, and other portable items.

It features small SC-88A package.

■ PACKAGE OUTLINE

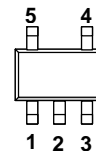


NJM2865F3

■ FEATURES

- High Ripple Rejection 75dB typ. (f=1kHz)
- Output Noise Voltage $V_{no}=45\mu V_{rms}$
- Output capacitor with 1.0 μF ceramic capacitor ($V_o \geq 2.7V$)
- Output Current $I_o(max.)=100mA$
- High Precision Output $V_o \pm 1.0\%$
- Low Dropout Voltage 0.10V typ. ($I_o=60mA$)
- Input Voltage Range +2.3V ~ +14V ($V_o \leq 2.0$ Version)
- ON/OFF Control (Active High)
- Internal Short Circuit Current Limit
- Internal Thermal Overload Protection
- Bipolar Technology
- Package Outline SC88A

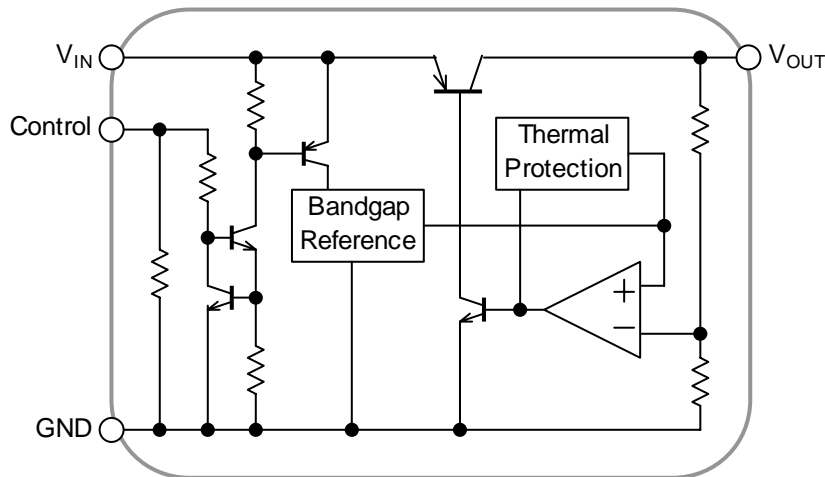
■ PIN CONFIGURATION



NJM2865F3

- PIN FUNCTION**
1. CONTROL (Active High)
 2. GND
 3. NC
 4. V_{OUT}
 5. V_{IN}

■ EQUIVALENT CIRCUIT



■ OUTPUT VOLTAGE RANK LIST

Device Name	V_{OUT}	Device Name	V_{OUT}
NJM2865F3-15	1.5V	NJM2865F3-03	3.0V
NJM2865F3-18	1.8V	NJM2865F3-33	3.3V
NJM2865F3-21	2.1V	NJM2865F3-05	5.0V
NJM2865F3-26	2.6V		
NJM2865F3-29	2.9V		

■ ABSOLUTE MAXIMUM RATINGS (Ta=25°C)

PARAMETER	SYMBOL	RATINGS	UNIT
Input Voltage	V _{IN}	+14	V
Control Voltage	V _{CONT}	+14(*note 1)	V
Power Dissipation	P _D	250(*note 2)	mW
Operating Temperature	T _{opr}	-40 ~ +85	°C
Storage Temperature	T _{stg}	-40 ~ +125	°C

(*note 1): When input voltage is less than +14V, the absolute maximum control voltage is equal to the input voltage.

(*note 2): On glass epoxy board. (50×50×1.6mm)

■ ELECTRICAL CHARACTERISTICS

(V_o≥2.0V version: V_{IN}=V_o+1V, C_{IN}=0.1μF, C_o=1.0μF: V_o≥2.7V (C_o=2.2μF: V_o≤2.6V), Ta=25°C)

PARAMETER	SYMBOL	TEST CONDITION	MIN.	TYP.	MAX.	UNIT
Output Voltage	V _o	I _o =30mA	-1.0%	–	+1.0%	V
Quiescent Current	I _Q	I _o =0mA, expect I _{cont}	–	120	180	μA
Quiescent Current at Control OFF	I _{Q(OFF)}	V _{CONT} =0V	–	–	100	nA
Output Current	I _o	V _o -0.3V	100	130	–	mA
Line Regulation	ΔV _o /ΔV _{IN}	V _{IN} =V _o +1V ~ V _o +6V, I _o =30mA	–	–	0.10	%/V
Load Regulation	ΔV _o /ΔI _o	I _o =0 ~ 60mA	–	–	0.03	%/mA
Dropout Voltage	ΔV _{L.O}	I _o =60mA	–	0.10	0.18	V
Ripple Rejection	RR	e _{in} =200mVrms, f=1kHz, I _o =10mA, V _o =3V Version	–	75	–	dB
Average Temperature Coefficient of Output Voltage	ΔV _o /ΔTa	Ta=0 ~ 85°C, I _o =10mA	–	± 50	–	ppm/°C
Output Noise Voltage	V _{NO}	f=10Hz ~ 80kHz, I _o =10mA, V _o =3V Version	–	45	–	μVrms
Control Voltage for ON-state	V _{CONT(ON)}		1.6	–	–	V
Control Voltage for OFF-state	V _{CONT(OFF)}		–	–	0.6	V

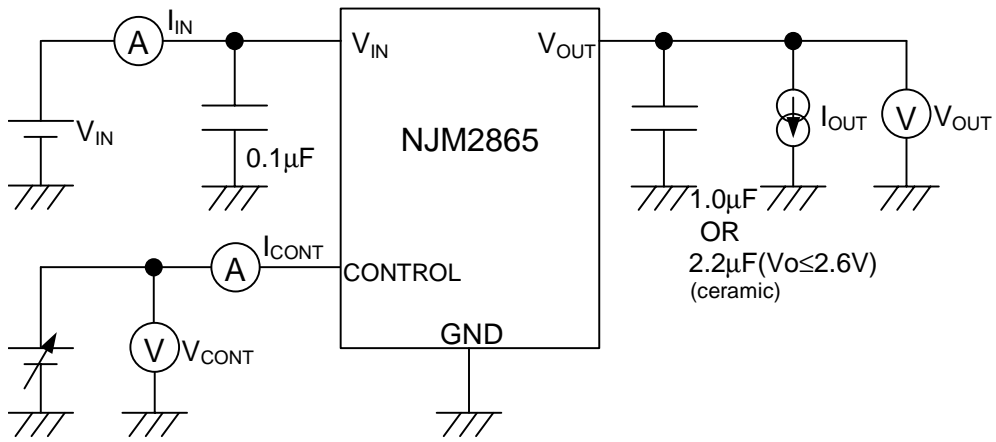
(V_o≤2.0V version: V_{IN}= V_o+1V, C_{IN}=0.1μF, C_o=2.2μF, Ta=25°C)

PARAMETER	SYMBOL	TEST CONDITION	MIN.	TYP.	MAX.	UNIT
Output Voltage	V _o	I _o =30mA	-1.0%	–	+1.0%	V
Quiescent Current	I _Q	I _o =0mA, expect I _{cont}	–	120	180	μA
Quiescent Current at Control OFF	I _{Q(OFF)}	V _{CONT} =0V	–	–	100	nA
Output Current	I _o	V _o -0.3V	100	130	–	mA
Line Regulation	ΔV _o /ΔV _{IN}	V _{IN} =V _o +1V ~ V _o +6V, I _o =30mA	–	–	0.10	%/V
Load Regulation	ΔV _o /ΔI _o	I _o =0 ~ 60mA	–	–	0.03	%/mA
Ripple Rejection	RR	e _{in} =200mVrms, f=1kHz, I _o =10mA, V _o =1.8V Version	–	80	–	dB
Average Temperature Coefficient of Output Voltage	ΔV _o /ΔTa	Ta=0 ~ 85°C, I _o =10mA	–	± 50	–	ppm/°C
Output Noise Voltage	V _{NO}	f=10Hz ~ 80kHz, I _o =10mA, V _o =1.8V Version	–	70	–	μVrms
Control Voltage for ON-state	V _{CONT(ON)}		1.6	–	–	V
Control Voltage for OFF-state	V _{CONT(OFF)}		–	–	0.6	V

(*note 3): The above specification is a common specification for all output voltages.

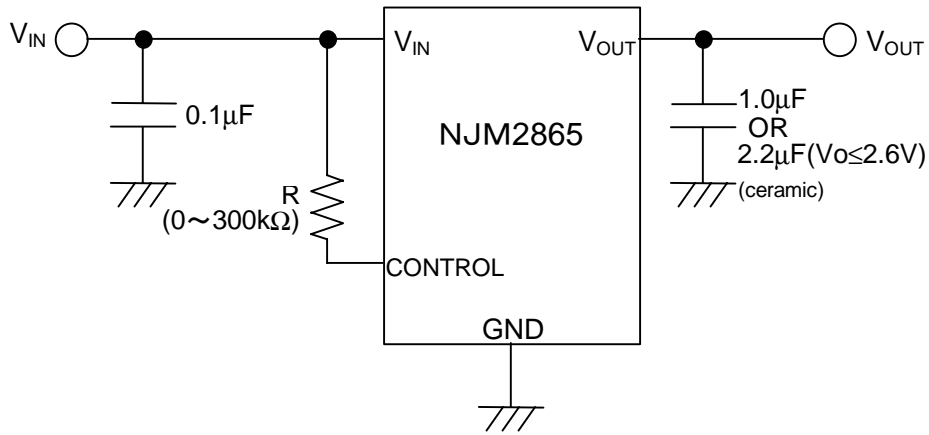
Therefore, it may be different from the individual specification for a specific output voltage.

■ TEST CIRCUIT



■ TYPICAL APPLICATION

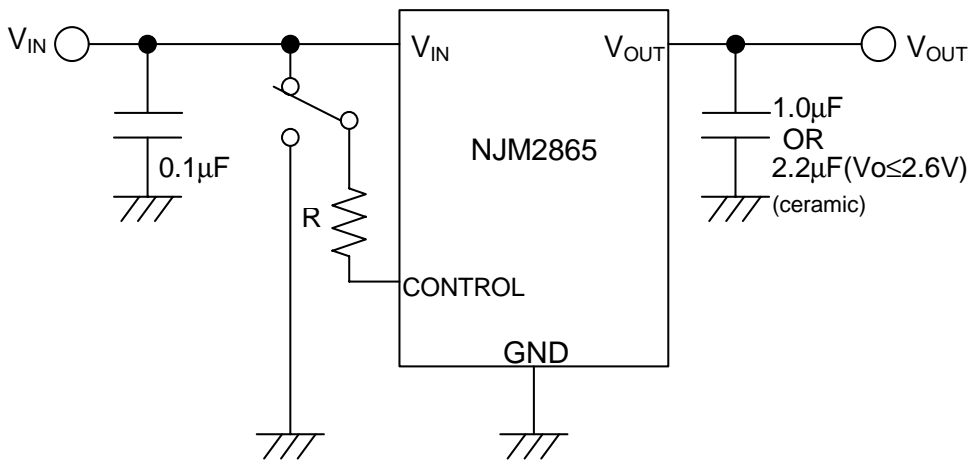
① In the case where ON/OFF Control is not required:



Connect control terminal to V_{IN} terminal

The quiescent current can be reduced by using a resistance “R”. Instead, it increases the minimum operating voltage. For further information, please refer to Figure “Output Voltage vs. Control Voltage”.

② In use of ON/OFF CONTROL:



State of control terminal:

- “H” → output is enabled.
- “L” or “open” → output is disabled.

[CAUTION]

The specifications on this databook are only given for information, without any guarantee as regards either mistakes or omissions. The application circuits in this databook are described only to show representative usages of the product and not intended for the guarantee or permission of any right including the industrial rights.