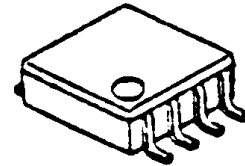


Single-phase DC Brushless Motor Driver IC

◆ GENERAL DESCRIPTION

The NJU7328 is a single-phase DC brushless motor driver IC for small fan-motor application. It features MOS-FET driver circuit for better saturation characteristics. Slew rate of amplifiers and feedback resistors are optimized to achieve low-noise motor operation. The NJU7328 also includes Frequency generator (FG) output for various control needs.

◆ PACKAGE OUTLINE

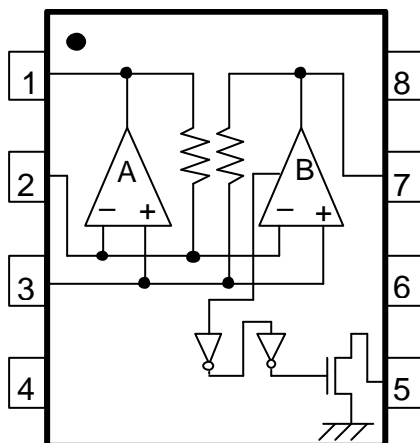


NJU7328RB1

◆ FEATURES

- Single Supply
- Operating Voltage $V_{DD}=2.4 \sim 5.5V$
- Low Operating Current
- Low Saturation Output Voltage
 $V_{sat}=\pm 0.35V @ I_o=\pm 250mA$
- C-MOS Technology
- FG Output
- Package Outline TVSP8

◆ PIN CONFIGURATIONS



PIN FUNCTION

- 1: A OUTPUT
- 2: Reverse INPUT
- 3: Non-Reverse INPUT
- 4: V_{SS}
- 5: FG
- 6: NC
- 7: B OUTPUT
- 8: V_{DD}

◆ ABSOLUTE MAXIMUM RATINGS

(Ta=25°C)

PARAMETER	RATINGS	SYMBOL(unit)	NOTE
Supply Voltage	+7.0	V _{DD} (V)	
Input Voltage	-0.3 ~ V _{DD} +0.3	V _{ID} (V)	
Operating Temperature Range	-40 ~ +85	T _{opr} (°C)	
Storage Temperature Range	-50 ~ +150	T _{stg} (°C)	
Power Dissipation	400	P _D (mW)	TVSP8 (Single)

◆ RECOMMENDED OPERATING CONDITIONS

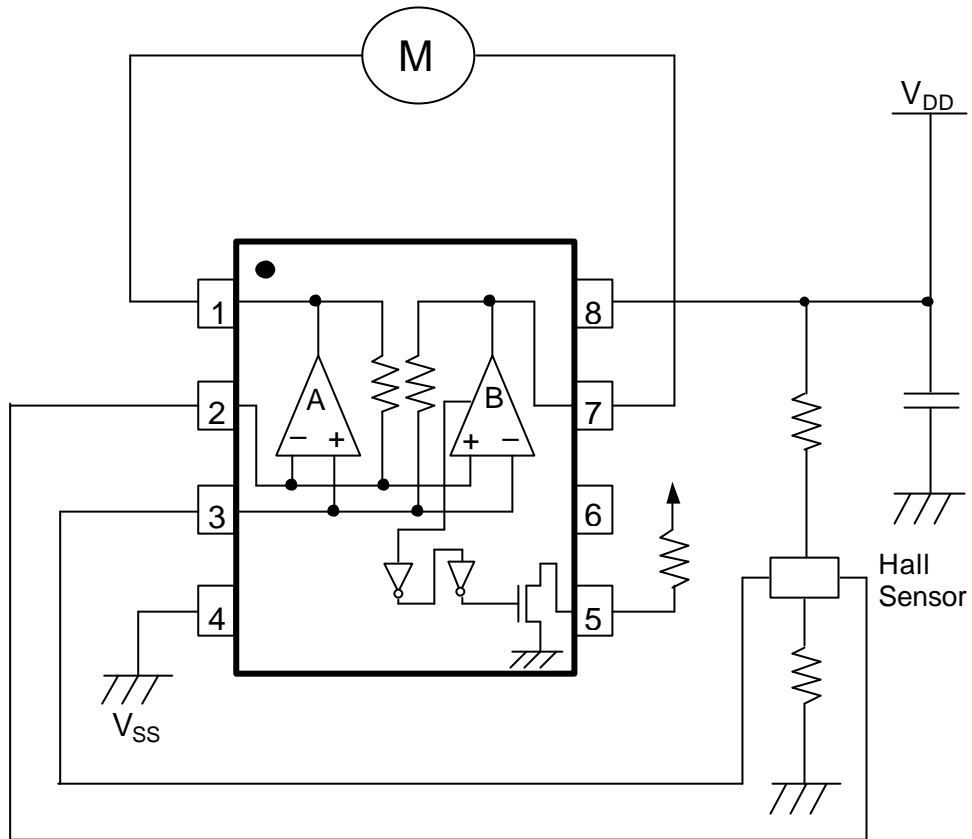
 V_{DD}=2.4V~5.5V

◆ ELECTRICAL CHARACTERISTICS

 (V⁺=5V, Ta=25°C)

PARAMETER	SYMBOL	CONDITION	MIN.	TYP.	MAX.	UNIT
Operating Voltage Range	V _{DD}	-	2.4	5.0	5.5	V
Operating Current	I _{DD}	-	-	3.0	4.0	mA
Input Offset Voltage	V _{IO}	-	-15	-	-15	mV
Input Common Mode Voltage Range	V _{ICM}	-	0.4~4.0	-	-	V
Maximum Output Voltage Range	V _{OM}	I _o =+250mA	4.55	4.65	-	V
		I _o = -250mA	-	0.35	0.45	
Feedback Resistance	R _F	-	22.0	27.5	33.0	kΩ
FG H Leak Current	FGH	2pin=0V, pin=5V, R _P =10kΩ	-	-	1.0	μA
FG L Voltage	FGL	2pin=5V, 3pin=0V, R _P =10kΩ	-	-	0.3	V

◆ APPLICATION



The specifications on this data book are only given for information, without any guarantee as regards either mistakes or omissions. The application circuit in this data book are described only to show representative usages of the product and not intended for the guarantee or permission of any right including the industrial rights.